

18

17

16

15

14

13

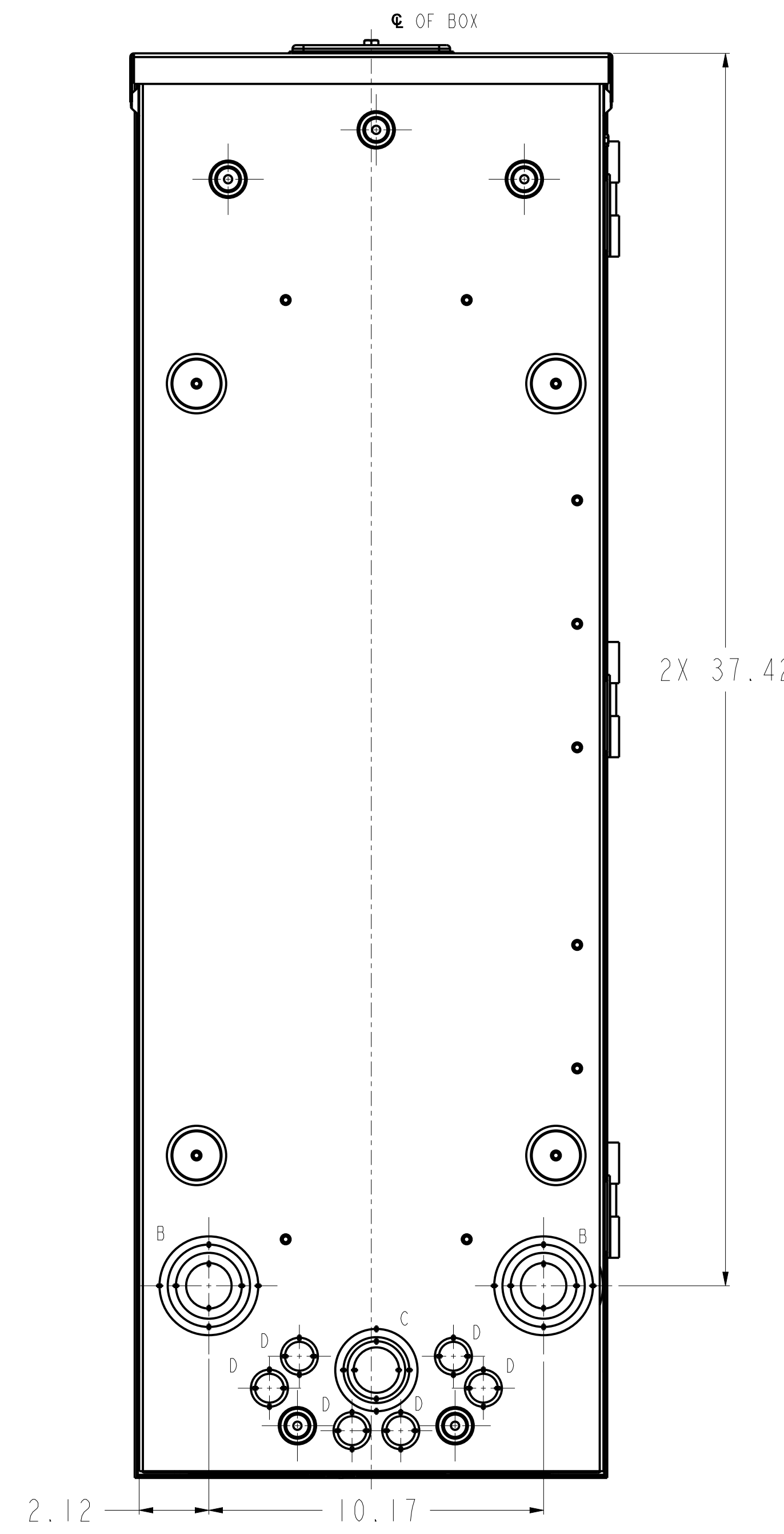
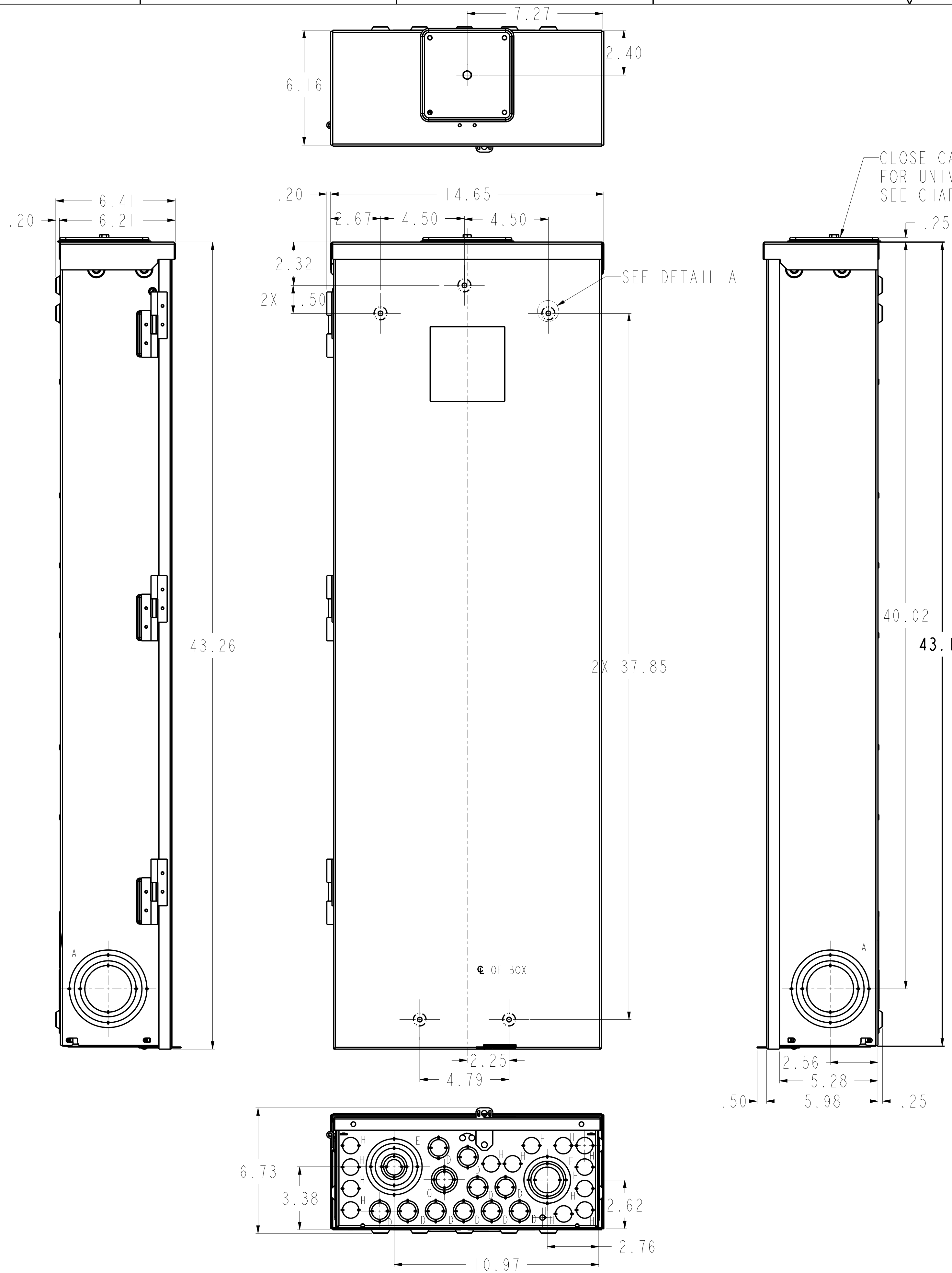
12

11

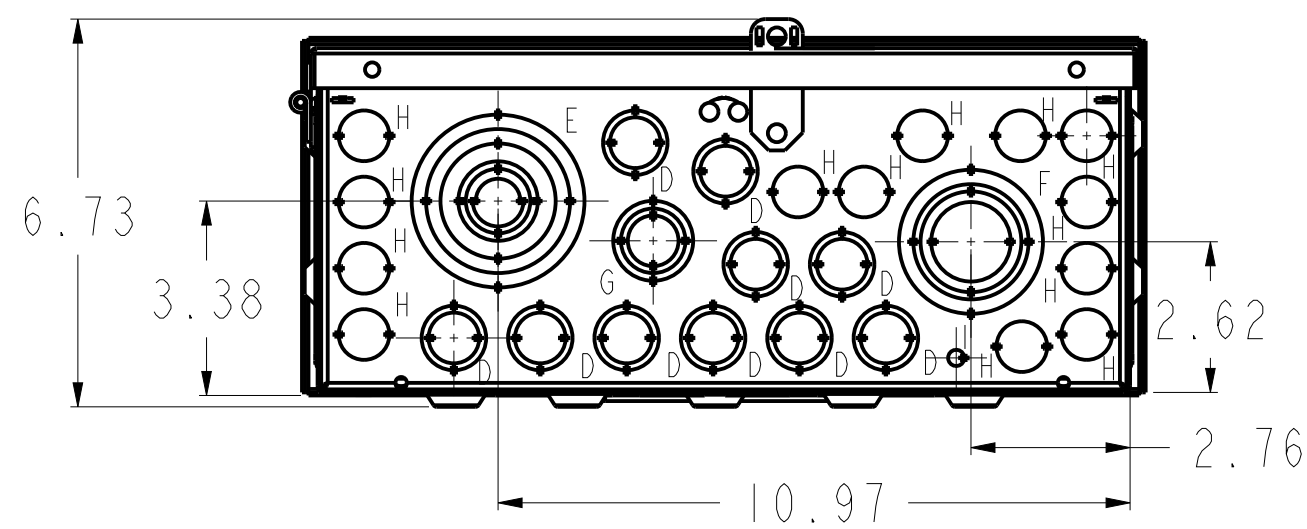
CAT NUMBER	DESCRIPTION	MODEL
PLM4020R	MAIN LUG, 40 CIRCUIT, 200 AMP, NEMA 3R, CU BUS, PON	1
PM4020R	MAIN BREAKER, 40 CIRCUIT, 200 AMP NEMA 3R, CU BUS, PON	1



CLOSE CAP SUPPLIED.
FOR UNIVERSAL HUBS
SEE CHART BELOW.



KNOCKOUT TABLE		
SYMBOL	SIZE	QTY
A	2 x 2 1/2 x 3 x 3 1/2 KO	2
B	1 1/2 x 2 x 2 1/2 KO	2
C	1 x 1 1/4 x 1 1/2 KO	1
D	1/2 x 3/4 KO	16
E	1/2 x 3/4 x 1 1/2 x 2 x 2 1/2 KO	1
F	1 x 1 1/4 x 1 1/2 x 2 KO	1
G	3/4 x 1 x 1/4 KO	1
H	1/2 KO	13
I	9/32 KO	1



UNIVERSAL HUB	
CONDUIT SIZE	CATALOG NO.
3/4	TC75
1	TC100
1 1/4	TC125
1 1/2	TC150
2	TC200
2 1/2	TC250
CLOSING CAP	TCCP

THIRD ANGLE	SHEET#	DWG NO.	DATE	REV
	1 of 1	10103091SH271	31-Jan-22	1

ALL DIMENSION HAVE +/- .125 TOLERANCE



OUTLINE DRAWING 40 CKT, 200 A
OUTDOOR LOAD CENTER ASM ENCL 43.19"

18

17

16

15

14

13

12

11