



## TQD/TMQD Breaker Mounting Kit: TMTQD2

### Instructions for the Installation of TQD/TMQD Breaker Mounting Kit 1PH Meter Modules (2 Pole Breakers)

#### CONTENTS:

- (1) TMQD FLAT INSULATOR
- (1) #8-32 X 2.91 SELF THREADING SCREW
- (2) TQD COPPER SPACERS
- (1) TQD PLASTIC SPACER

**DANGER:** HAZARD OF ELECTRICAL SHOCK OR BURN. TURN OFF THE INCOMING POWER BEFORE WORKING ON THIS EQUIPMENT

#### INSTALLATION INSTRUCTIONS FOR TYPE TQD BREAKERS: (SEE REVERSE SIDE FOR TMQD BREAKERS)

1. Turn off power ahead of this device before installing breakers.
2. Gently tap one (1) TQD plastic spacer into hole on bottom of load (OFF) end of circuit breaker. Plastic spacer is serrated for a press fit.
3. If necessary, remove and discard the lugs from the line (ON) end of the circuit breaker.
4. Remove 1/4" hex nuts and washers from the circuit breaker mounting studs.
5. Position circuit breaker over mounting studs as shown in Fig.1. Assemble, but do not tighten two (2) 1/4" nuts with washers onto the mounting studs.
6. Install and tighten one (1) #8-32 screw through load end of breaker case into metal support bracket below.
7. Torque the two (2) 1/4" nuts previously assembled to 50-60 lb.-in. (5.6-6.8 N-m).

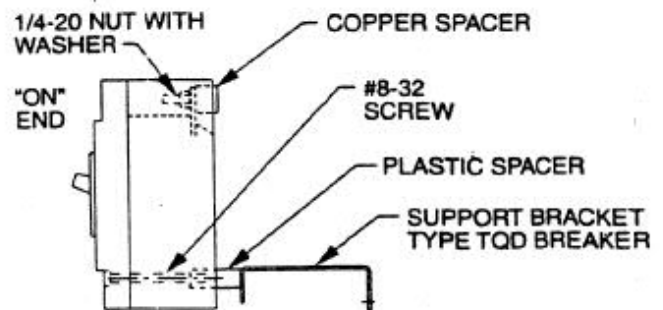


Fig. 1 TQD Breaker Installation

#### INSTALLATION INSTRUCTIONS FOR TYPE TMQD BREAKERS:

1. Turn off power ahead of this device before installing breakers.
2. Discard the flat insulator supplied with the circuit breaker.
3. If necessary, remove and discard the lugs from the line (ON) end of the circuit breaker.
4. Install the flat insulator from this kit over support bracket as shown in Fig. 2. The insulator has a self-adhesive backing, remove paper backing before installing.
5. Remove 1/4" hex nuts and washers from the circuit breaker mounting studs. Remove and discard the copper spacers from the mounting studs.
6. Install two (2) new 11/16" long copper spacers from this kit over the 1/4" studs.
7. Rotate 180° only the bracket shaped as shown in Fig. 2. Also, remove twistout in cover per Fig. 3 at each breaker location.
8. Position circuit breaker over mounting studs as shown in Fig.2. Assemble, but do not tighten two (2) 1/4" nuts with washers onto the mounting studs.
9. Install and tighten one (1) #8-32 screw through load end of breaker case into metal support bracket below.
10. Torque the two (2) 1/4" nuts previously assembled to 50-60 lb.-in. (F. 6-6.8 N-m).

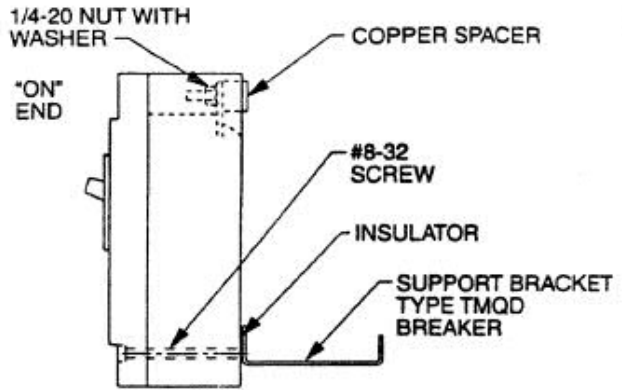


Fig. 2 TMQD Breaker Installation

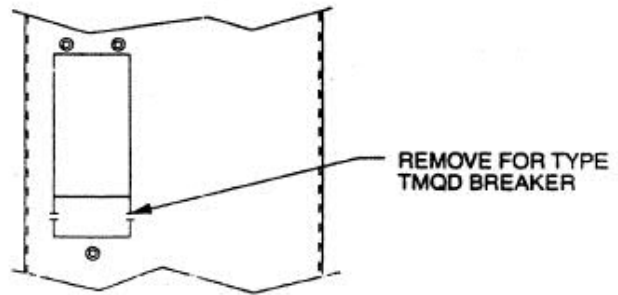


Fig. 3 Twistout Illustration



GE Industrial Solutions

DEHXXX

General Electric Company  
41 Woodford Avenue  
Plainville, CT 06062