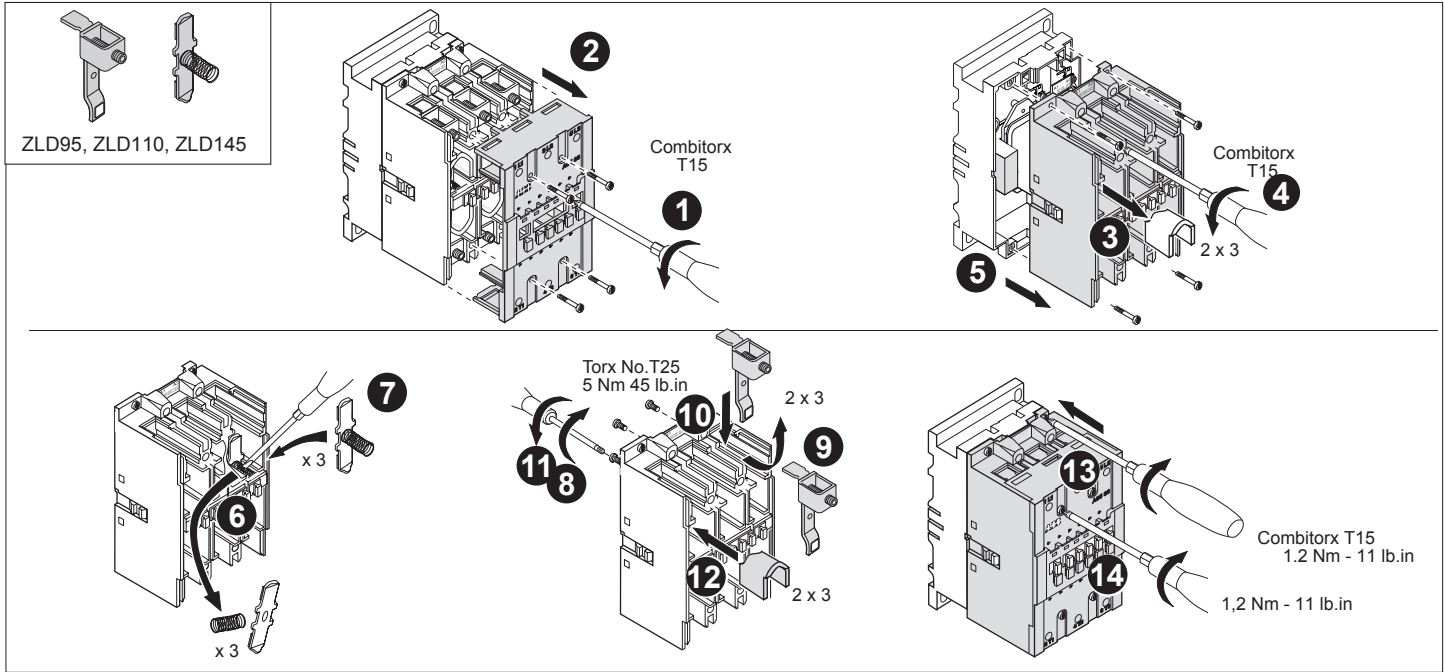


# ZLD95, ZLD110, ZLD145

1SFC101033M0201, ed.B, March 2016

## Contact set

## Operating instructions



Warning! The operation, installation and servicing of this product must be carried out by a qualified electrician, following installation standards and safety regulations. Before operating the contactor, make sure that the control voltage supply corresponds with the coil marking. Wrong control voltage can damage the coil. Do not touch live parts. Danger!

ABB AB, Control Products  
SE-721 61 Västerås, Sweden  
Telephone +46 21 32 07 00  
Telefax +46 21 12 60 01  
www.abb.com/lowvoltage

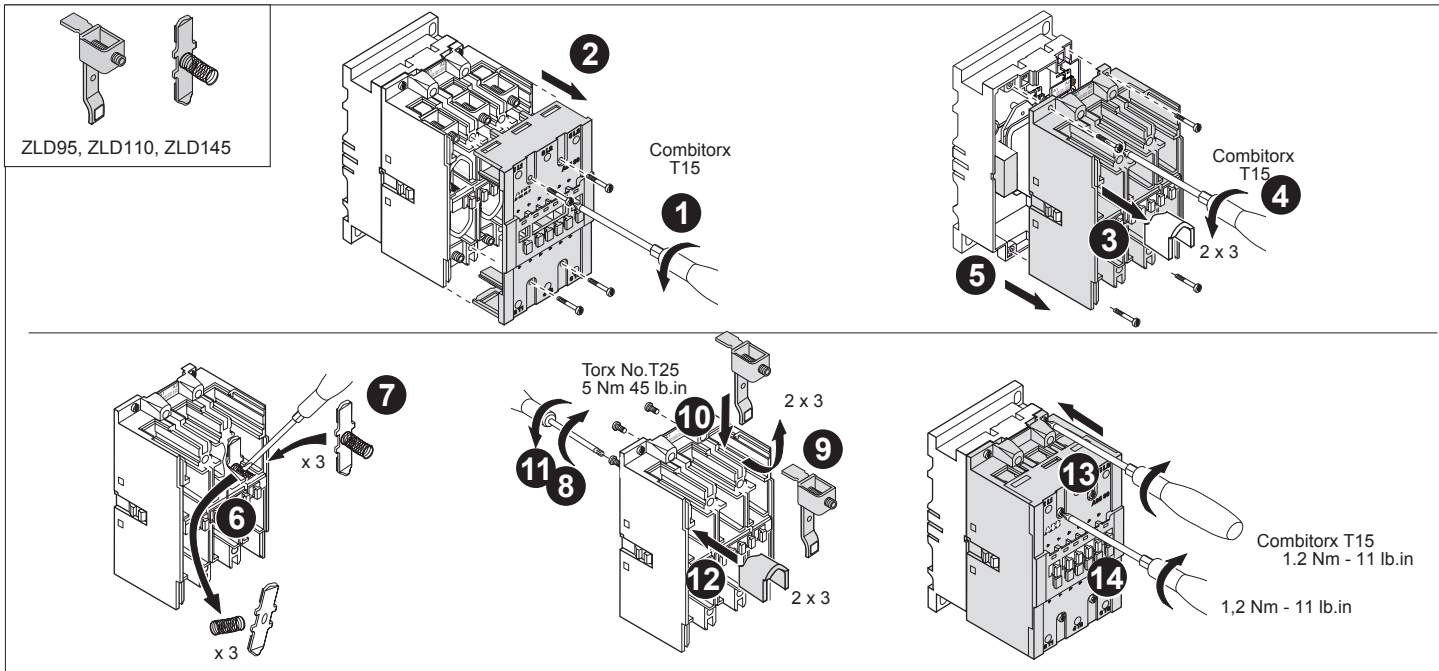


# ZLD95, ZLD110, ZLD145

1SFC101033M0201, ed.B, March 2016

## Contact set

## Operating instructions



Warning! The operation, installation and servicing of this product must be carried out by a qualified electrician, following installation standards and safety regulations. Before operating the contactor, make sure that the control voltage supply corresponds with the coil marking. Wrong control voltage can damage the coil. Do not touch live parts. Danger!

ABB AB, Control Products  
SE-721 61 Västerås, Sweden  
Telephone +46 21 32 07 00  
Telefax +46 21 12 60 01  
www.abb.com/lowvoltage

