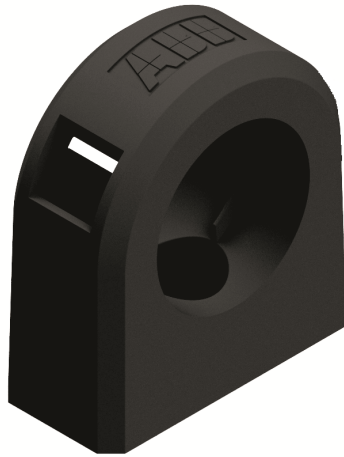


TECHNICAL DATA SHEET

Type AC V2

Conduit clamp



Non-metallic conduit clamp, for clamping conduit to structures preventing pull through.

Features & benefits:

- Conduit clamp with integral closure system
- Impact modified polyamide (Nylon) 66
- Medium impact resistance
- UV protection is very high
- Grey (GR)

Applications:

- Clamping conduit to structures
- Prevents pull through

Temperature range:

- Static applications: -40°C to +120°C
- Dynamic applications: -5°C to +120°C

For use with:

Light, Standard and Heavyweight variants of type PA, CP, PR, PADL & PF conduit

UV Resistance:

- Very high

Material / Materials / Finishes:

- Polyamide (nylon) 66

Conforms to:

- Self extinguishing
- Low smoke
- Halogen free

Fire performance:

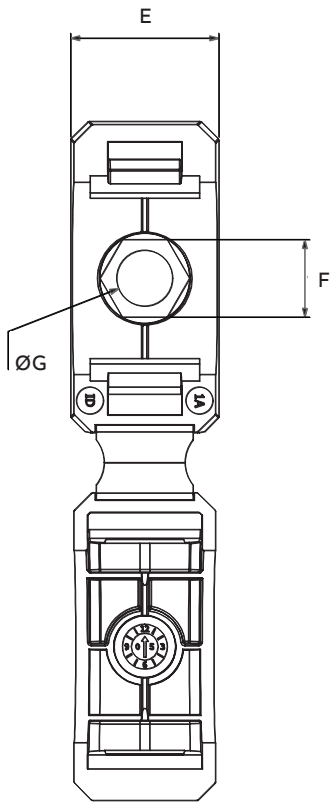
Test standard	Performance rating
ISO 4589-2	24%
BS EN 60695-2-11	850°C
UL94	V2

Degree of mechanical protection:

- Medium impact resistance

Chemical resistance:

- High chemical resistance levels



Type ACB & ACG Conduit clamp – Part numbers and dimensions

Part No. (black)	Part No. (grey)	Dimensions						
		A	B	C	D	E	F	G
ACB21v2	ACG21v2	NW21	34.9	20.6	37.7	16.7	8.7	6.2
ACB42v2	ACG42v2	NW42	60.3	31.4	61.1	17.1	8.7	6.2
ACB54v2	ACG54v2	NW54	72.8	37.2	73.1	17.2	8.7	6.3

Part number example: To order quote part number, e.g. ACB10

