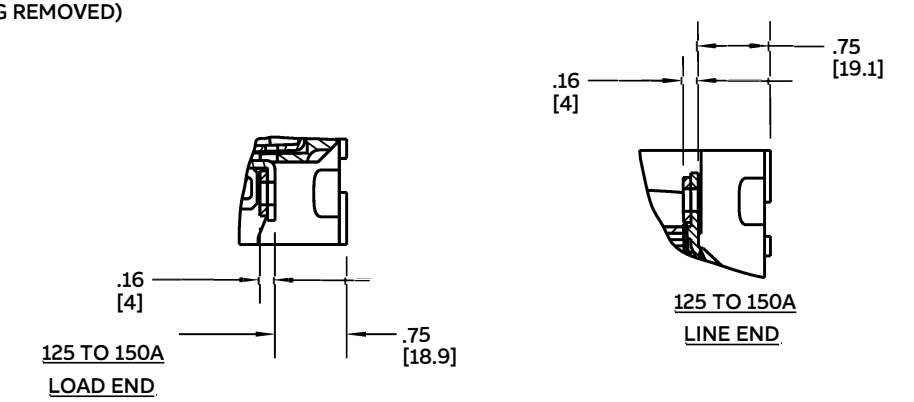


LUG WIRE RANGE
 #14-3 Cu, #12-1 Al 15-60A TCAL12
 #6-210 Cu, #4-2/0 Al 70-110A TCAL12A
 #3-310 Cu, #1-3/0 Al 100-150A TCAL15

WIRE CONNECTOR WIRE RANGE 10A. - 30A.
 #14-8 Cu-Al TCAL14



NOTE:
 THED 2 POLE BREAKER IS FURNISHED IN 3-POLE CASE

10 TO 110A

DUAL DIMENSIONS - INCHES [MILLIMETERS]

THIRD ANGLE	SHEET#	DWG NO.	DATE	REV
	1 of 1	139C3643SH1	05-Feb-23	B



OUTLINE DRAWING - CIRCUIT BREAKER
 TEB, TED & THED 3 POLE/THED 2 POLE