

## DEH-41461 Installation Instructions

# EntelliGuard® G Circuit Breaker Accessories

### NETWORK INTERLOCK DEVICE (NI)

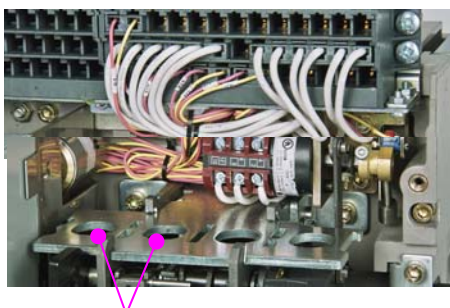
#### Introduction

#### NETWORK INTERLOCK DEVICE (NI)

The Network Interlock Device locks the breaker in OFF position electrically and mechanically. When this device receives a pulse all local breaker functionality is disabled except the tripping of the device on any over current fault. On the receipt of a 2nd pulse normal operation is re-instated. The presence of mains power does not affect the locking and/or re-instatement of this device. Each device has a local RESET button that only can be accessed after breaker cover removal.



Figure 1



NI mounting location

Figure 2



**WARNING:** Before installing any accessories, turn the breaker OFF, disconnect it from all voltage sources, and discharge the closing springs.



**AVERTISSEMENT:** Avant d'installer tout accessoire, mettre le disjoncteur en position OFF, le déconnecter de toute tension d'alimentation, et décharger les ressorts d'armement

Use the following procedure to install the Network Interlock accessory into the circuit breaker.

1. Turn the breaker off and discharge the closing springs by depressing the OFF and ON buttons in the sequence OFF-ON-OFF. Verify that the breaker OFF-ON indicator shows OFF on a green background and that the charge indicator shows DISCHARGE on a white background. If installing in a draw-out type breaker remove breaker from adaptor (cassette) before continuing.
2. Loosen the 6 screws on front cover (fascia) using a pozidrive screw driver as shown in Fig 3.B
3. Rotate the charging handle down and slide the front cover over the handle to remove the front cover as shown in Fig. 3.C



Figure 3

4. Network interlock uses two locations of the coils on the mechanism top plate at 1<sup>st</sup> & 2<sup>nd</sup> locations as shown in Fig. 2
5. Tilt the NI forward and engage the front hooks into the mechanism top support plate as shown in the Fig. 4



Figure 4

6. Tilt the device backwards until the rear hooks engage in the slots on the mechanism top support plate as shown in the Fig. 5



Figure 5

7. Connect the input wire assembly plugs to the A5-A6 and A7-A8 locations marked on the secondary disconnect block A as shown in Fig. D.

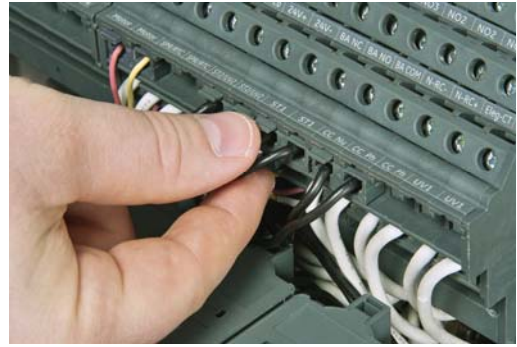


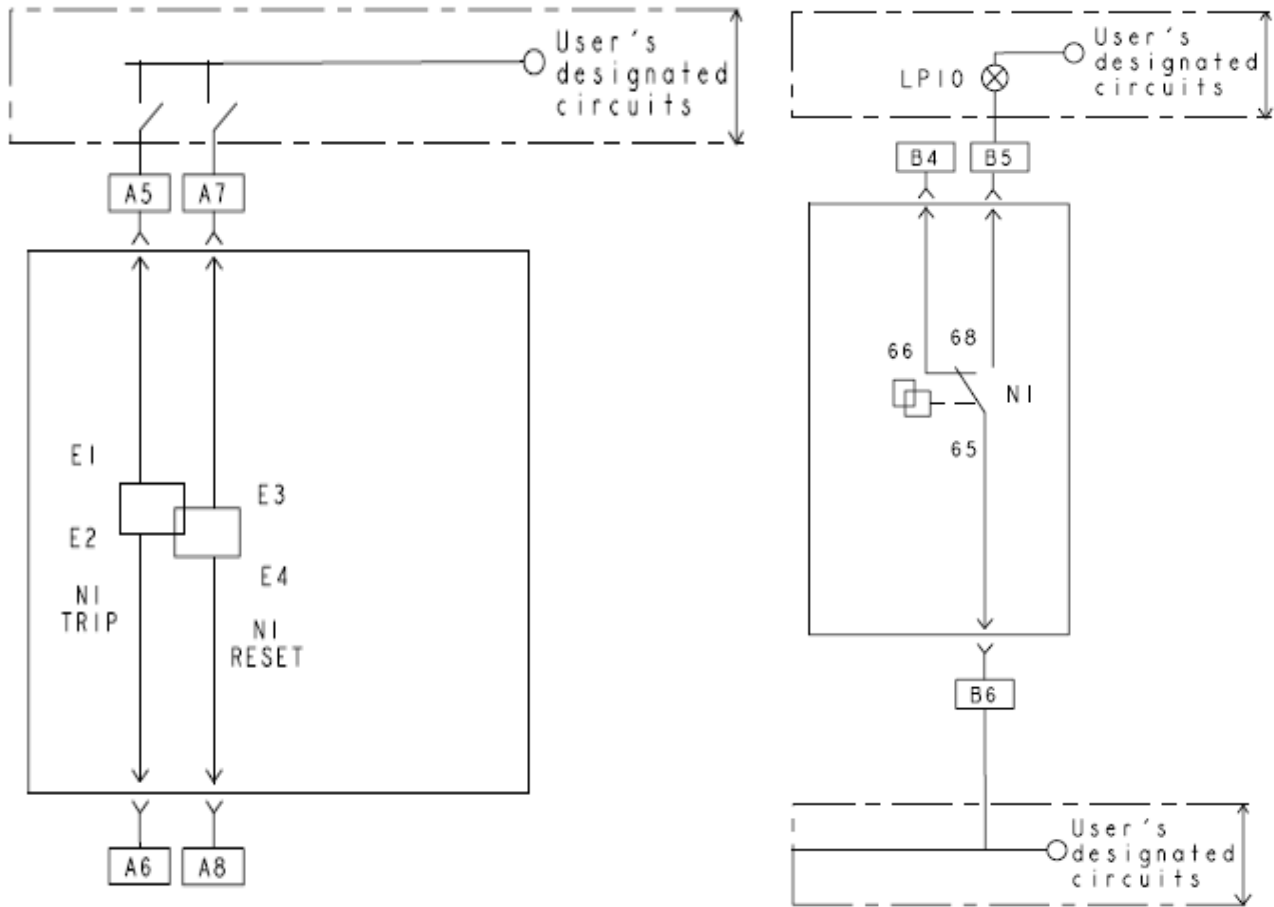
Figure 6

8. Connect the NI status switch wire assembly plugs to the B4-B5-B6 locations on the block B
9. Ensure that the plug in connection is firm and that the plug is inserted into the correct terminals.
10. To reinstall the cover, rotate the charging handle down and slide the front cover over the handle to assemble the front cover to housing as shown in Fig. 7
11. Ensure the fascia is aligned properly with the trip unit and the pad lock features of the breaker.
12. Fasten the 6 mounting screws of fascia with the housing using a pozidrive screwdriver. Apply torque of 6 Nm (4.42 ft-lbs)



Figure 7

## Connection Scheme:



These instructions do not cover all details or variations in equipment nor do they provide for every possible contingency that may be met in connection with installation, operation, or maintenance. Should further information be desired or should particular problems arise that are not covered sufficiently for the purchaser's purposes, the matter should be referred to the ABB Inc.

—  
**ABB Inc.**  
 305 Gregson Drive  
 Cary, NC 27511.  
 electrification.us.abb.com

—  
 We reserve the right to make technical changes or modify the contents of this document without prior notice. With regard to purchase orders, the agreed particulars shall prevail. ABB Inc. does not accept any responsibility whatsoever for potential errors or possible lack of information in this document.

We reserve all rights in this document and in the subject matter and illustrations contained therein. Any reproduction or utilization of its contents – in whole or in parts – is forbidden without prior written consent of ABB Inc.  
 Copyright© 2019 ABB  
 All rights reserved