

PSTX30...1250

In Line for sequential start of 3 motors, no softstop

Start of optional motor

Input In0 shall be set to Start1

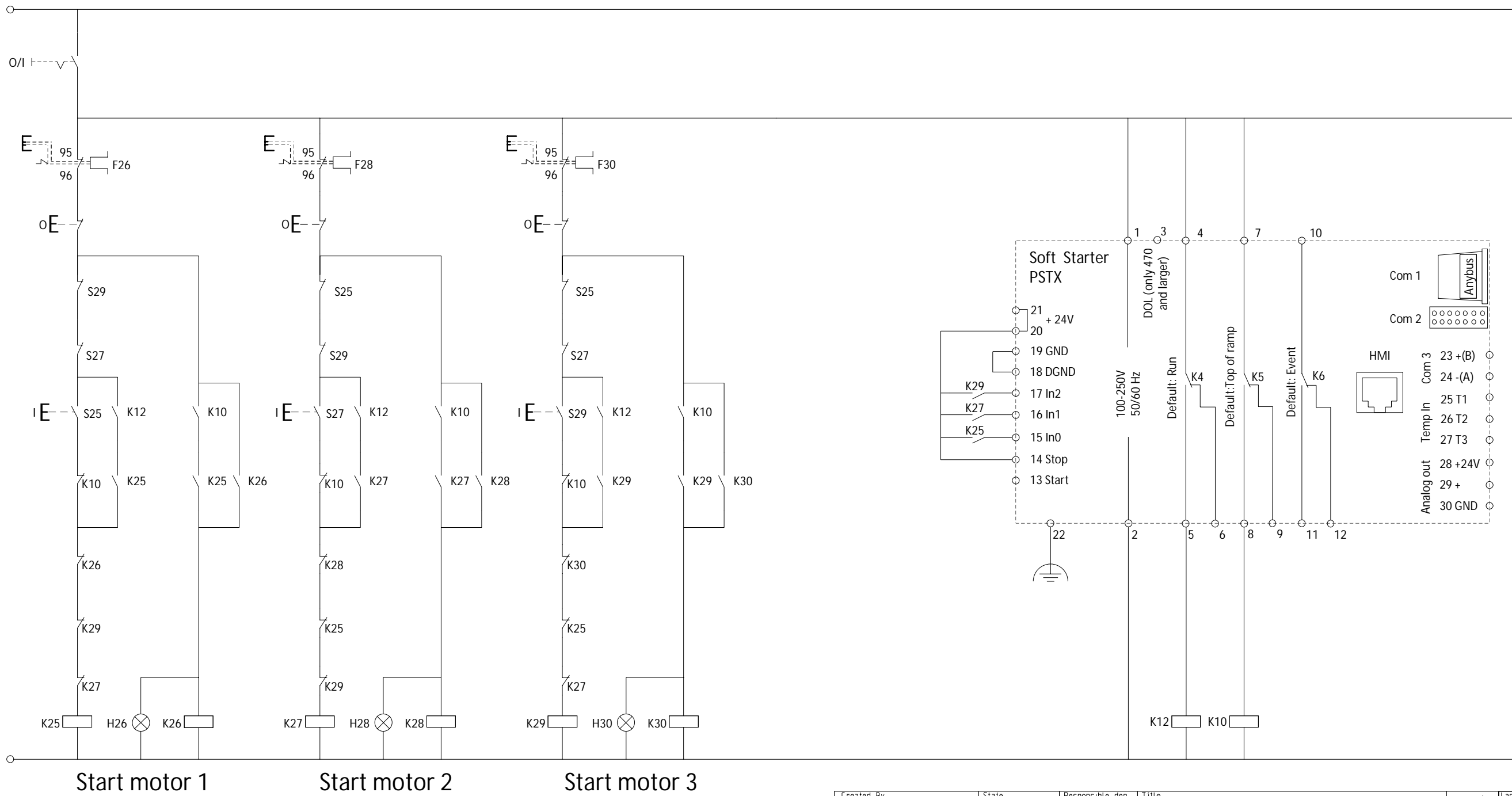
Input In1 shall be set to Start2

Input In2 shall be set to Start3

Internal E.O.L shall be deactivated

Softstarter needs to be configured according to settings in manual 1SFC132081M0201

Rev	Pos	Description	Date	Sign.



保密文件，经手人负有保密义务；未经授权而披露，权利人享有追偿权利。

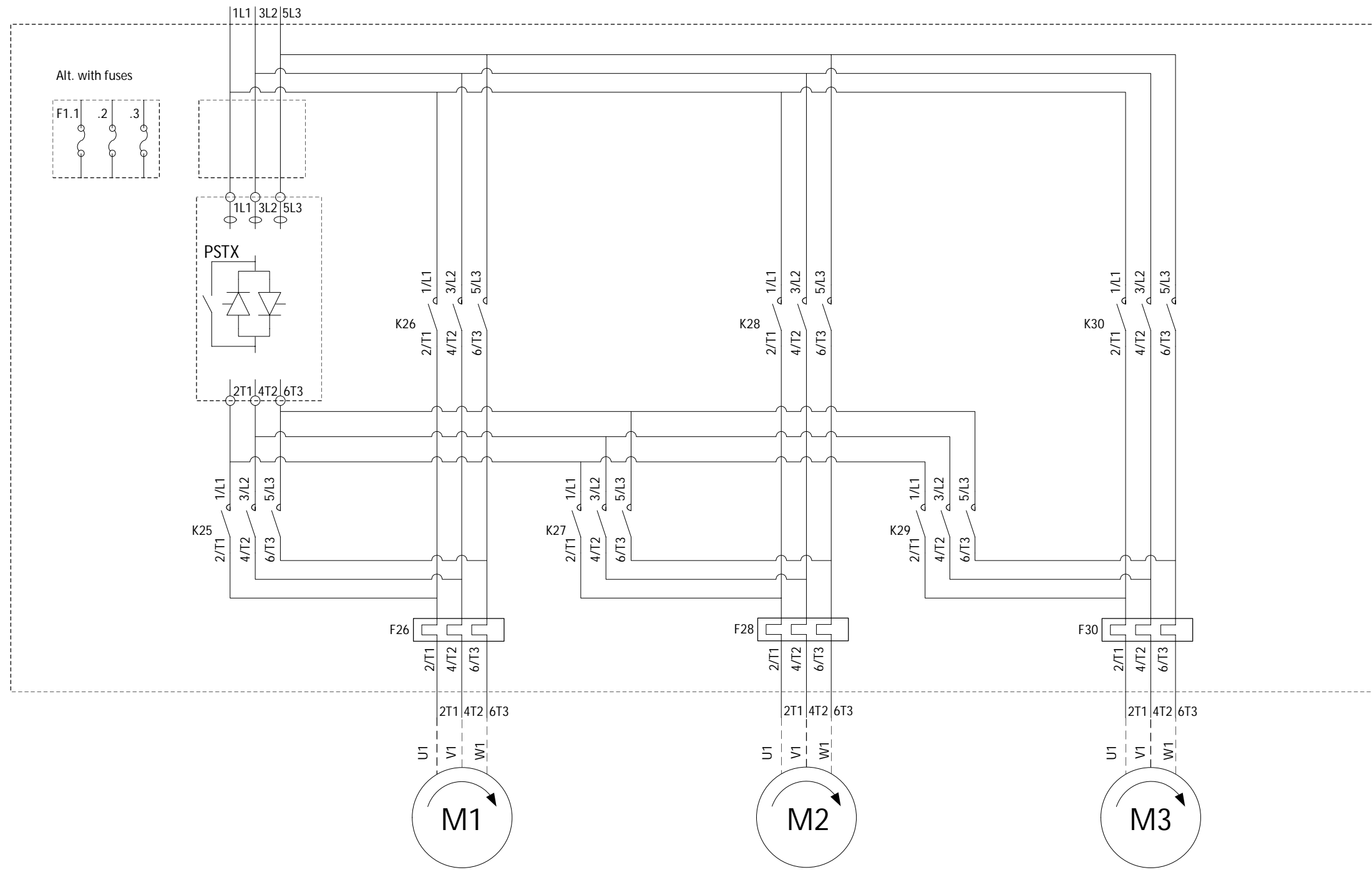
We reserve all rights in this document and in the information contained therein. Reproduction, use or disclosure to third parties without express authority is strictly forbidden. Copyright ABB.

Proprietary and secret information

Created By Björn Johansson	State Approved	Responsible dep RE	Title Application diagram PSTX sequence start	Lang EN
Approved By David Wikström	Approved Date 161019	Revision B	Document Number 1SFB536005G5008	Size A3
ABB AB, Control Products				Sheet 1 of 2

PSTX30...1250

Rev	Pos	Description	Date	Sign.



秘密文件，经手人赋有保密义务；未经授权而披露，权利人享有追偿权利。

We reserve all rights in this document and in the information contained therein. Reproduction, use or disclosure to third parties without express authority is strictly forbidden. Copyright ABB.

Proprietary and secret information

Created By Björn Johansson	State Approved	Responsible dep RE	Title Application diagram PSTX sequence start	Lang EN
Approved By David Wikström	Approved Date 161019	Revision B	Document Number 1SFB536005G5008	
ABB AB, Control Products				Size A3 Sheet 2 of 2