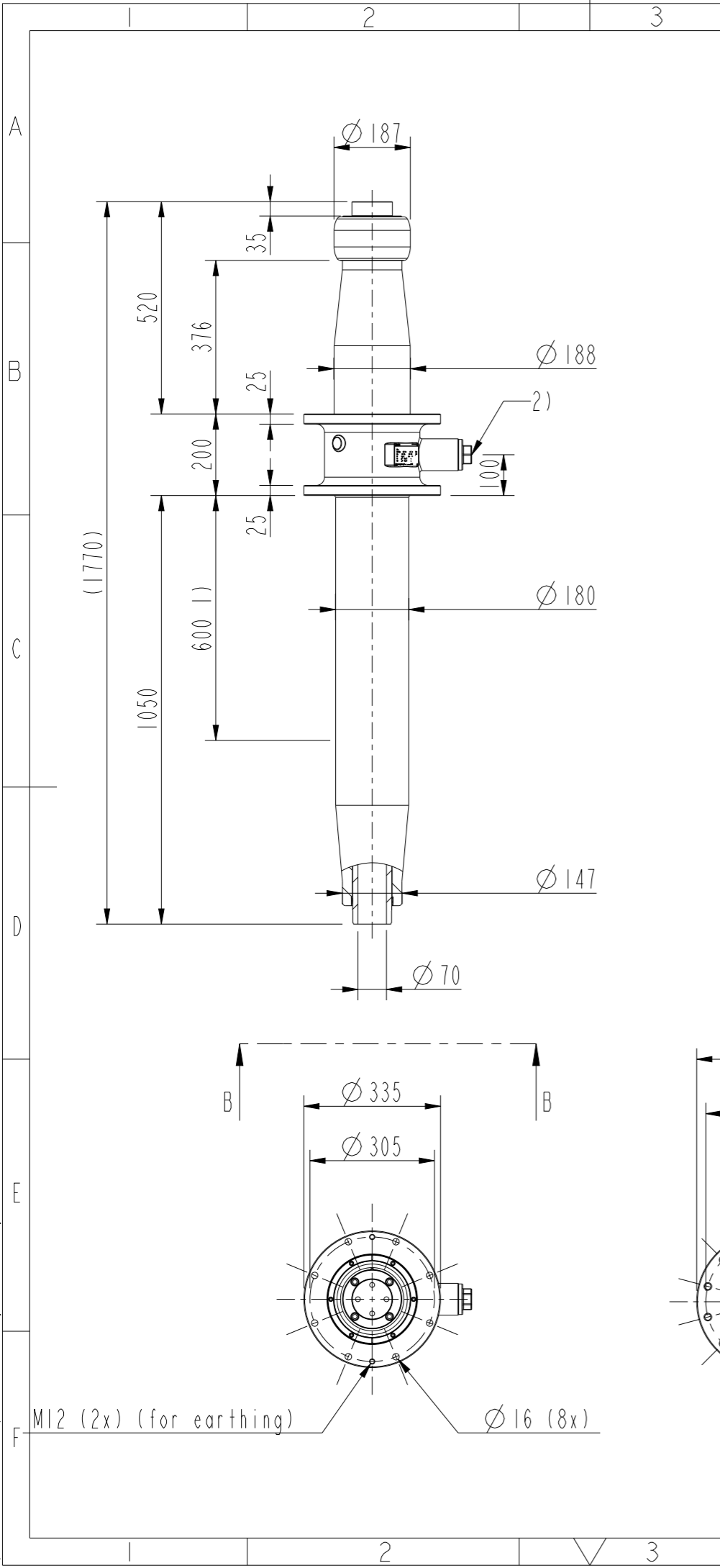


This document is issued by means of a computerized system. The digitally stored original is electronically approved. The approved document has a date entered in the "Approved"-field. A manual signature is not required.

We reserve all rights in this document and in the information contained therein. Reproduction, use or disclosure to third parties without express authority is strictly forbidden.



Bushing data:		
Rated voltage		170 kV
Phase-to-earth voltage		98 kV
Lightning impulse		750 kV
Switching impulse		N/A kV
Routine test, I min 50 Hz		365 kV
Rated current		2000/3150 A $\triangle E$
Mass		74/109 kg

Ordering data:		
Bushing	Conductor tube	Rated current
IZSC900170-AAB Test tap	Al	2000 A $\triangle E$
IZSC900170-ABB Voltage tap 6 kV	Al	2000 A $\triangle E$
IZSC900170-ACB Test tap	Cu	3150 A $\triangle E$
IZSC900170-ADB Voltage tap 6 kV	Cu	3150 A $\triangle E$

Draw rod system	
IZSC999004	

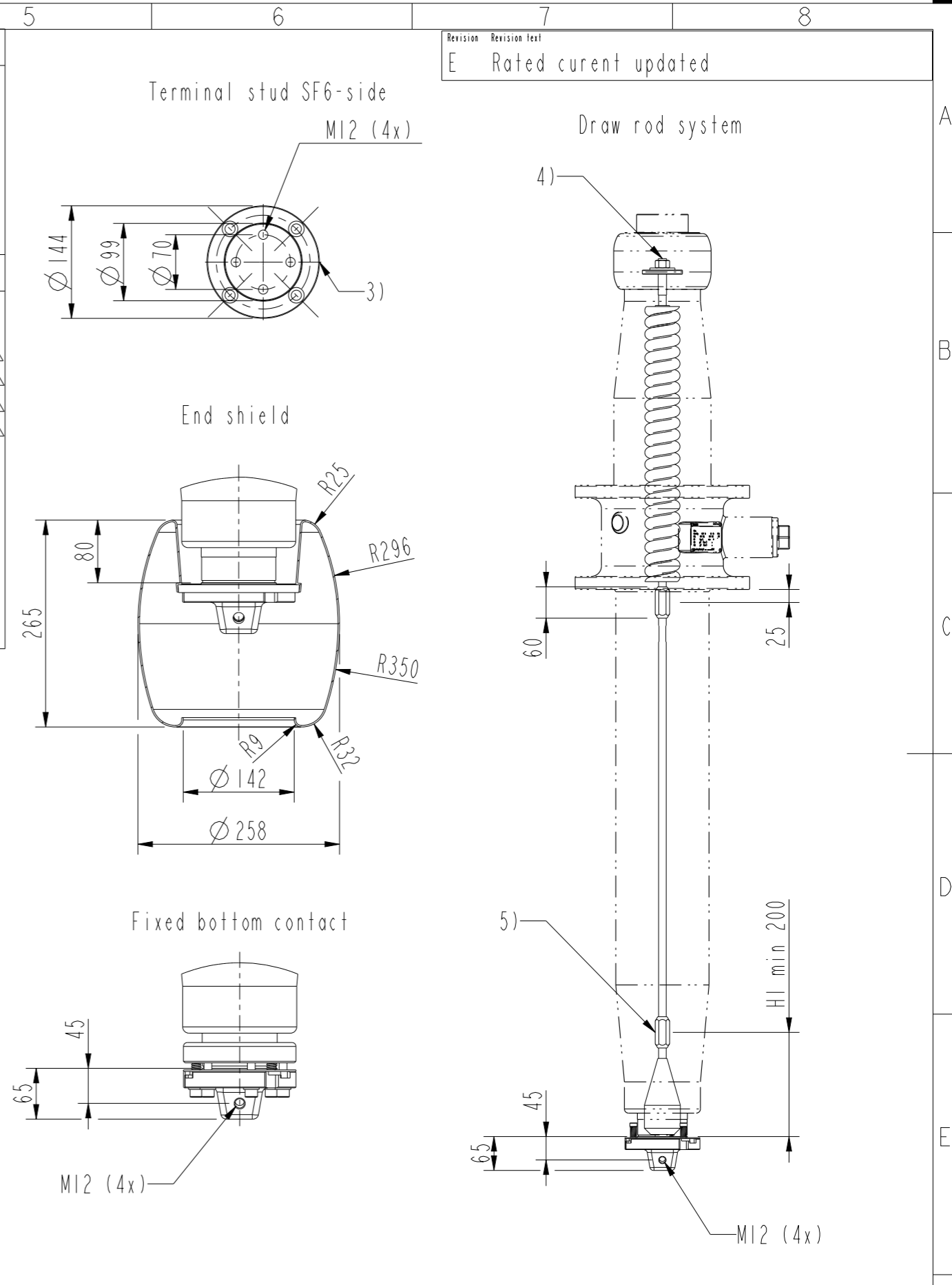
  

Fixed bottom contact	
IZSC999002-AAE	

End shield	
IZSC999003-AEA	Epoxy insulated
IZSC999003-AEB	Pressboard insulated

- 1) Maximum length of CT.
- 2) Test tap / Voltage tap
- 3) Test tap / Voltage tap position.
- 4) Threaded hole M8 for pulling wire.
- 5) Additional joints on request.



Revision	Revision text
E	Rated current updated

Approved 2020-11-06	Document Kind Dimension Drawing	Based on doc.id	Work order id	Project id
Company ABB Technology Ltd	Title, Supplementary title Dimension drawing GSBK 170/0.6			
Responsible Department SEABB-9AAE300824	Genomföring GSBK 170/0.6			
<b>ABB</b>	Document id 2753016-2	Status Approved	Revision E	Iteration 2
				Sheet 1/1