

Operating Instructions

Busch-Infoline®

1515 U

Alarm indicator insert



1	Safety.....	3
2	Intended use	3
3	Environment.....	3
4	Operation	4
5	Technical data.....	4
6	Setup and function.....	4
6.1	Features of function and equipment.....	4
6.2	Possible combinations	5
7	Installation and electrical connection	6
7.1	Requirements for the electrician	6
7.2	Electrical connection	7
7.3	Mounting the device insert	8
7.4	Setting alarm behaviour with jumper.....	8

1 Safety



Warning

Electric voltage!

Risk of death and fire due to electrical voltage of 230 V.

- Work on the 230V supply system may only be performed by authorised electricians!
- Disconnect the mains power supply prior to installation and/or disassembly!



Warning

High sound pressure level!

High sound pressure level of 70 dB at a distance of 1 m. Problems with concentration are possible in this area.

- Safety distance must be adhered to!

2 Intended use

The device is to be used exclusively with the components that are supplied and licensed as described in chapter "Setup and function".

3 Environment



Consider the protection of the environment!

Used electric and electronic devices must not be disposed of with domestic waste.

- The device contains valuable raw materials which can be recycled. Therefore, dispose of the device at the appropriate collecting depot.

All packaging materials and devices bear the markings and test seals for proper disposal. Always dispose of the packaging material and electric devices and their components via the authorized collecting depots and disposal companies.

The products meet the legal requirements, in particular the laws governing electronic and electrical devices and the REACH ordinance.

(EU Directive 2002/96/EC WEEE and 2002/95/EC RoHS)

(EU REACH ordinance and law for the implementation of the ordinance (EC) No.1907/2006)

4 Operation

Storing the alarm status

The storage of the alarm status is an option. This function can be activated and deactivated.

5 Technical data

General	
Nominal voltage	15 - 28 V AC / 18 - 35 V DC
Rated frequency	50/60 Hz
Nominal current	110 mA AC / 60 mA DC
Power loss	1.6 W
Loop current	5 mA
Tripping delay	0.1 s
Protection class	IP 20
Type of protection for device	SELV
Operating temperature range	5 ... 40 °C
Sound frequency	2.3 kHz
Sound pressure	70 dB / 1 m

Switching contacts	
Normally open contact	1 A, 30 VA / W, potential-bound
Change-over contact	42 V AC / 60 V DC, 30 VA / W, floating

6 Setup and function

6.1 Features of function and equipment

Monitoring insert for monitoring a current loop for interruption or short-circuit. Option of storing the alarm status and reset input. The alarm signal insert gives out a continuous acoustic alarm and an optical alarm.

6.2 Possible combinations

	Alarm indicator insert
	 1515 U
 1518 U	X
 1539 U	X
 1563 U-12	X
 1561 U	X
 1564 U-1X	X
 1566 U	X

	Alarm indicator insert
	 1515 U
 1520/1 UK	X
 1520/1 UKZ	X
 1573 C-214	X
 1573 CN-84	X

7 Installation and electrical connection



Warning

Electric voltage!

- Risk of death due to electrical voltage of 230 V during short-circuit in the low-voltage line.
- Low-voltage and 230 V lines must not be installed together in a flush-mounted socket!

7.1 Requirements for the electrician



Warning

Electric voltage!

Install the device only if you have the necessary electrical engineering knowledge and experience.

- Incorrect installation endangers your life and that of the user of the electrical system.
- Incorrect installation can cause serious damage to property, e.g. due to fire.

The minimum necessary expert knowledge and requirements for the installation are as follows:

- Apply the "five safety rules" (DIN VDE 0105, EN 50110):
 1. Disconnect from power;
 2. Secure against being re-connected;
 3. Ensure there is no voltage;
 4. Connect to earth and short-circuit;
 5. Cover or barricade adjacent live parts.
- Use suitable personal protective clothing.
- Use only suitable tools and measuring devices.
- Check the supply network type (TN system, IT system, TT system) to secure the following power supply conditions (classic connection to ground, protective earthing, necessary additional measures, etc.).

7.2 Electrical connection

Connection diagram

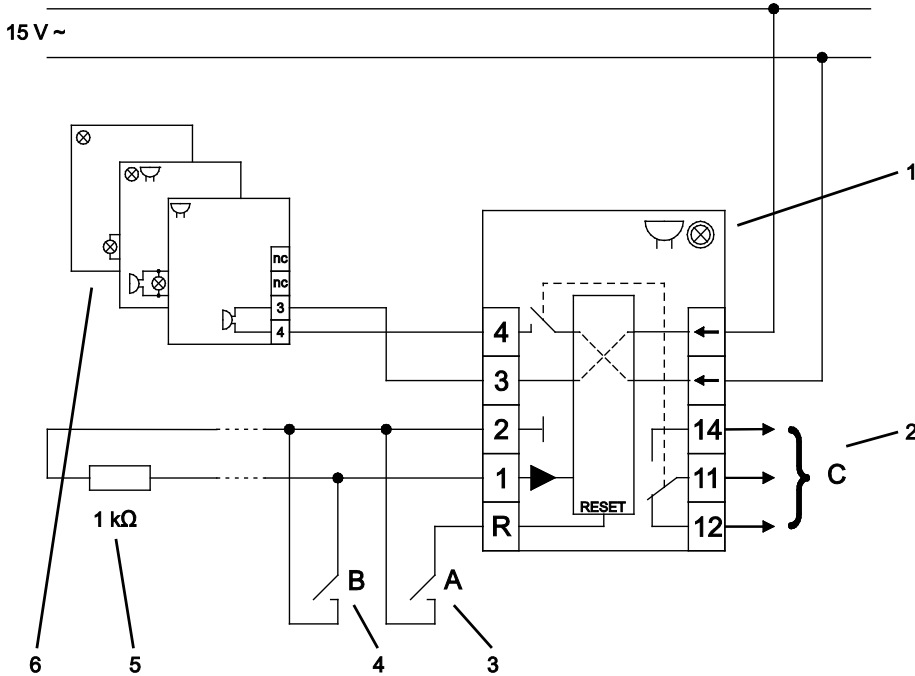


Fig. 1: Circuit diagram of alarm signal insert

- 1 Alarm signal insert | 2 Floating change-over contact | 3 Cancel button | 4 Signal button | 5 Terminal resistor | 6 Signal generator

Terminal assignment

1515 U Alarm signal insert

Terminal designation	Assignment
14	Floating change-over contact (normally open contact)
11	Floating change-over contact
12	Floating change-over contact (normally closed contact)
<-	15 V AC, ±10%, 50 / 60 Hz
<-	
R	Reset input
1	Signal input
2	Reset button
3	Signal generator
4	

7.3 Mounting the device insert

1. Mount the device in a flush-mounted box according to DIN 049073-1.
2. Fix the device in the flush-mounted box with screws.
3. Mount the elements of the cover plate in the sequence shown in the illustration.

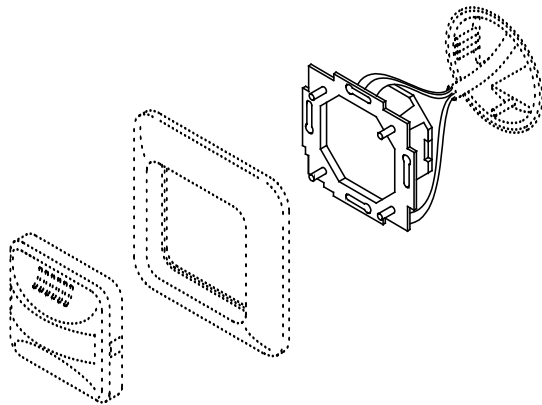


Fig. 2: Overview of installation

7.4 Setting alarm behaviour with jumper

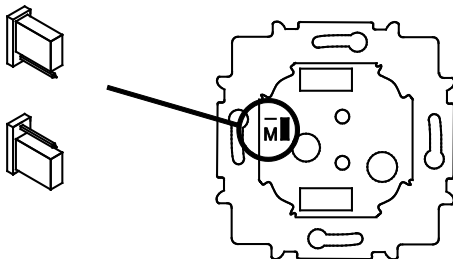


Fig. 3: 1515 U alarm signal insert

Position	Alarm behaviour
–	Without storage of the alarm status
M	With storage of the alarm status

A member of the ABB Group

Busch-Jaeger Elektro GmbH

PO box
58505 Lüdenscheid

Freisenbergstraße 2
58513 Lüdenscheid
Germany

www.BUSCH-JAEGER.com

info.bje@de.abb.com

Central sales service:

Phone: +49 (0) 2351 956-1600

Fax: +49 (0) 2351 956-1700

Notice

We reserve the right to at all times make technical changes as well as changes to the contents of this document without prior notice.

The detailed specifications agreed to at the time of ordering apply to all orders. ABB accepts no responsibility for possible errors or incompleteness in this document.

We reserve all rights to this document and the topics and illustrations contained therein. The document and its contents, or extracts thereof, must not be reproduced, transmitted or reused by third parties without prior written consent by ABB.

Copyright© 2012 Busch-Jaeger Elektro GmbH
All rights reserved