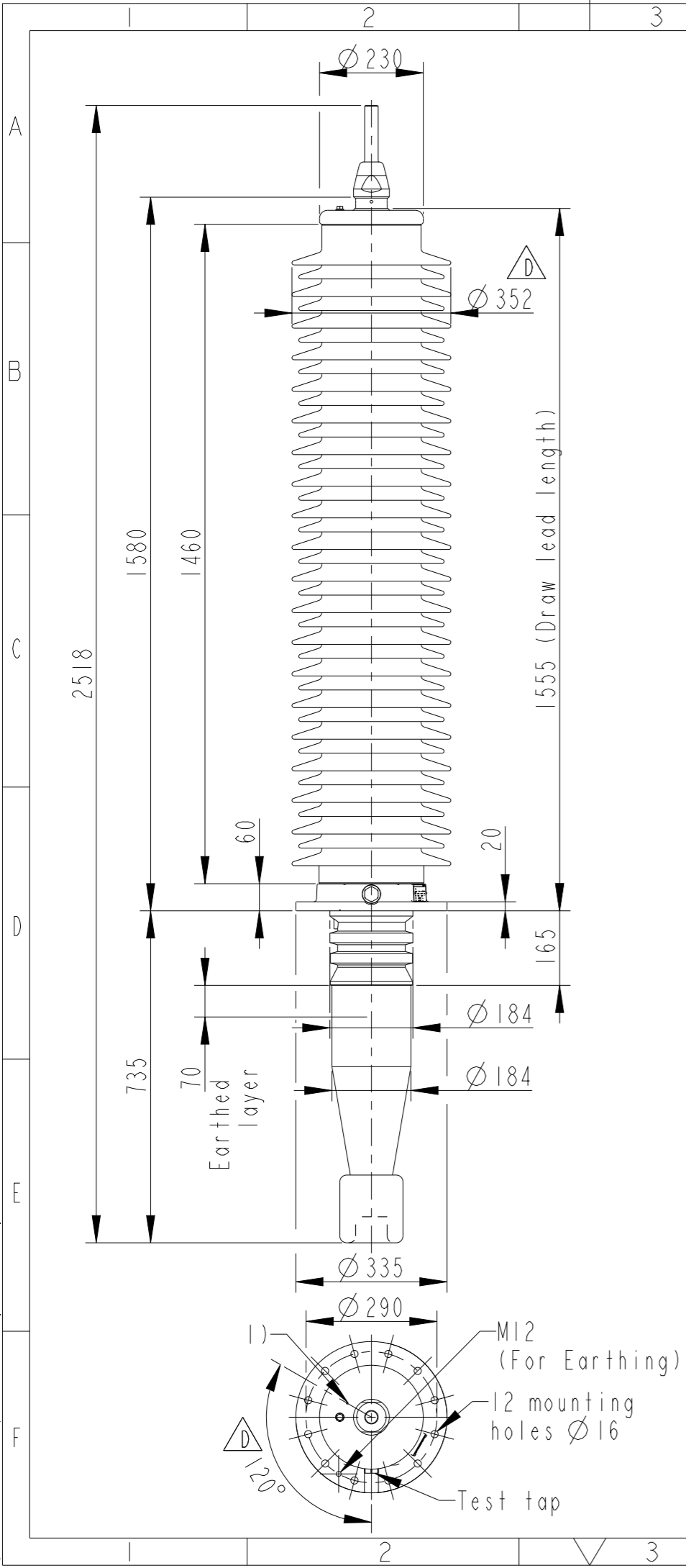
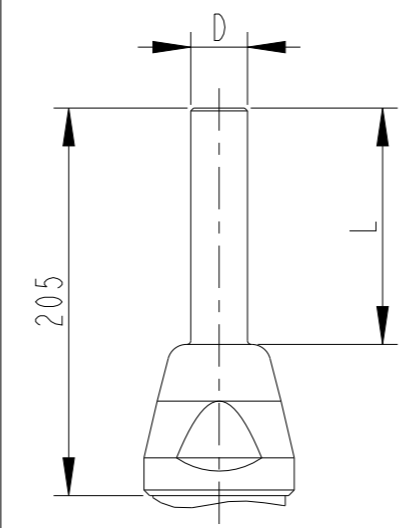


This document is issued by means of a computerized system. The digitally stored original is electronically approved. The approved document has a date entered in the "Approved"-field. A manual signature is not required.

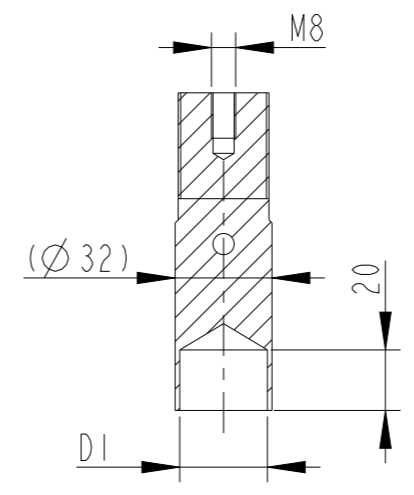
We reserve all rights in this document and in the information contained therein. Reproduction, use or disclosure to third parties without express authority is strictly forbidden.



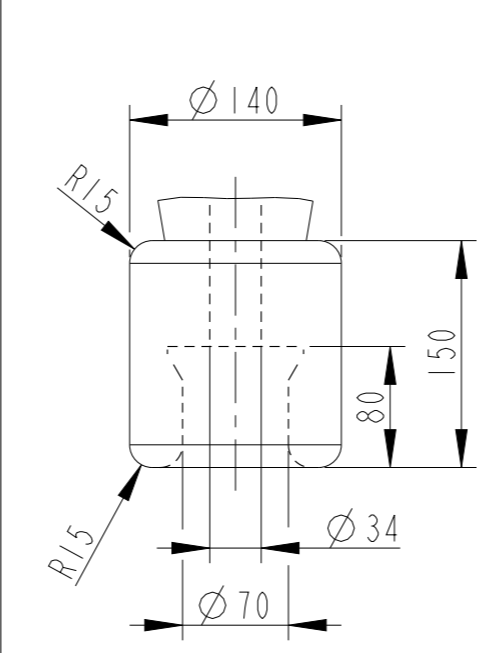
**OUTER TERMINAL**



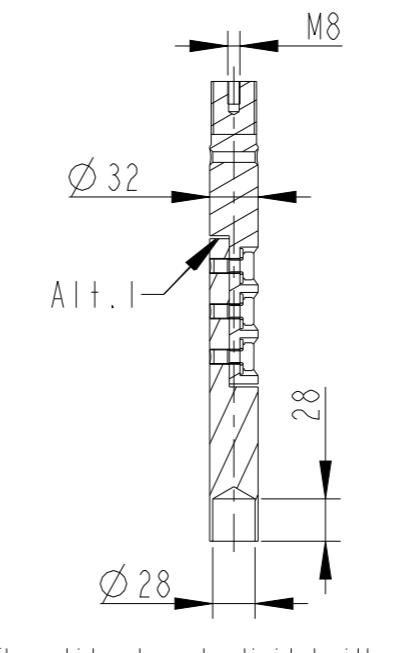
**INNER TERMINAL FOR STRANDED CABLE**



**END SHIELD**



**SOLID ROD CONNECTOR**



The solid rod can be divided either:  
Alt. 1: 20mm below the bushing flange

1)  $\varnothing 4$  Oil connection hole (only valid for horizontal mounting)

Revision	Revision text
D	Bushing -HM & -HN added. Note, Bushing Data and Dimension updated.

**Bushing Data:**

Rated Voltage	170	kV
Phase-to-earth Voltage	98	kV
Dry Lightning Impulse 1,2/50 $\mu$ s	750	kV
Wet power frequency AC	325	kV
Routine test 1 min dry 50Hz	365	kV
Rated Current	1250	A
Creepage Distance	$\Delta$ 5420 $\pm$ 140	mm
Creepage Distance Protected	$\Delta$ 2330	mm
Mass	$\Delta$ 233	kg

**Ordering Data:**

BUSHING	COLOUR	AIR INSULATOR
LF123077-M	BROWN	
LF123077-N	LIGHT GREY	
$\Delta$ LF123077-HM	BROWN	Horizontal 45°-90°
$\Delta$ LF123077-HN	LIGHT GREY	Horizontal 45°-90°
<b>OUTER TERMINAL</b>	Material	D L
LF 170 002-B	Cu alloy,	$\varnothing 30$ 125
LF 170 001-B	Al,	$\varnothing 30$ 125
OTHER TYPES ON REQUEST		

**INNER TERMINAL FOR STRANDED CABLE**

<b>For brazing</b>	Conductor area	DI
LF 170 011-T	up to 285mm <sup>2</sup>	$\varnothing 29$
LF 170 011-V	Undrilled with pilot hole	$\varnothing 5$

**SOLID ROD CONNECTOR**

Material	Cu
LF 170 052 -M for Alt.1	

No.		kV Ir		A 50/60 Hz	
$\varnothing$	Um	kV	SL	kV	AC
	BL	kV	SL	kV	AC
	M	kg	L	mm	✓
	C1	pF	Tan $\delta$		x
	C2	pF	Tan $\delta$		x

Approved 2021-10-28	Document Kind Dimension Drawing	Based on doc. id	Work order id	Project id
Company ABB Technology Ltd	Title, Supplementary title GOB 750-1250-0.2			
Responsible Department SEABB-9AAE300824	Without oil level gauge. Long end shield.			
<b>ABB</b>	Document id 2751369-164	Status Released	Revision D	Iteration 1/1