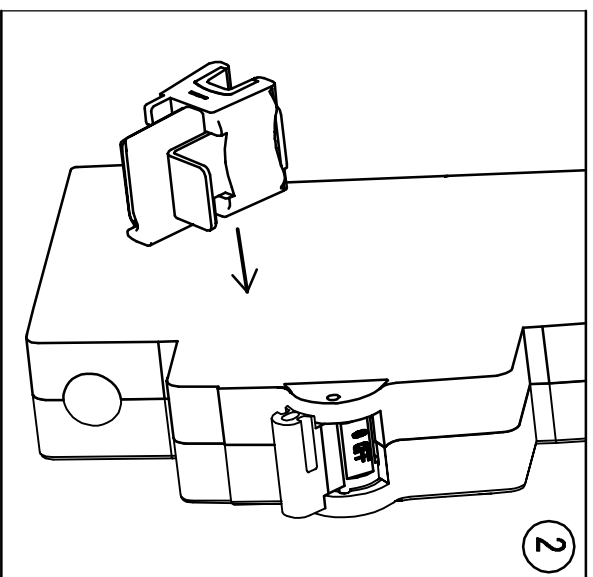
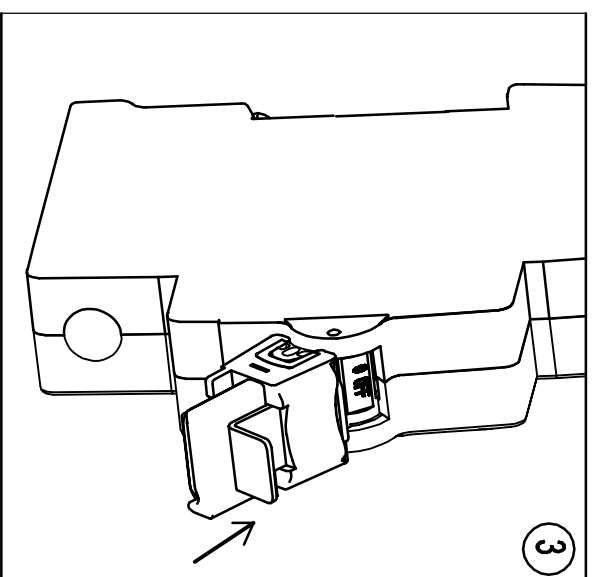


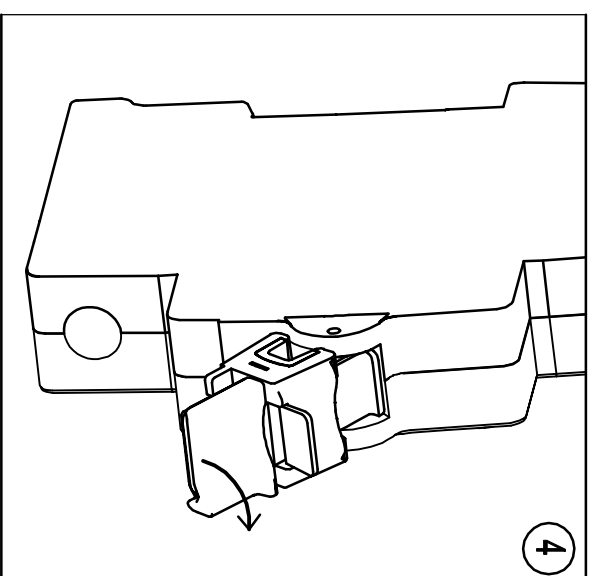
1. Insert single-linkage into padlock



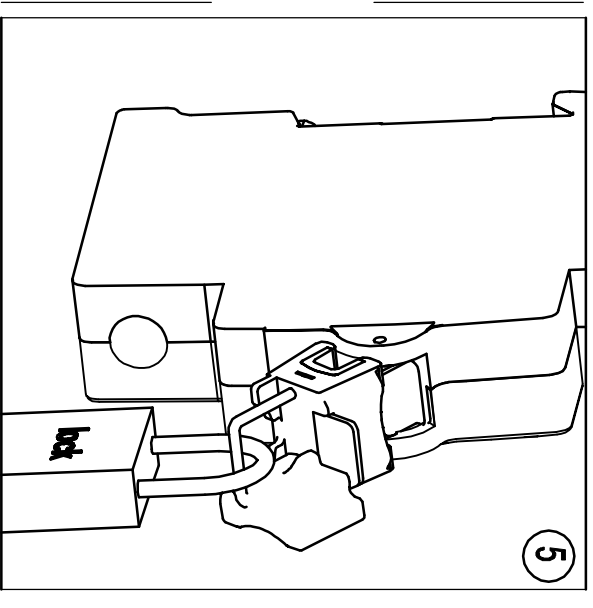
2. Insert padlock on handle of MCB



3. Press the plate to the bottom



4. Open the door and Rotate the door 90 °



5. Hang an ordinary lock