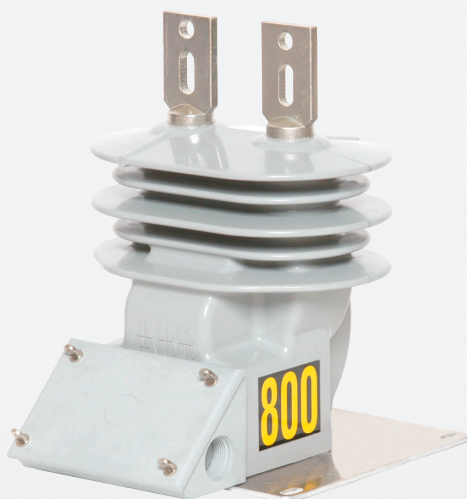


KON-12

Outdoor current transformer



The KON-12 outdoor current transformer is used for metering and relaying on outdoor 25 kV circuits.

Product features

- 25 kV outdoor
- 125 kV BIL, 60 Hertz
- Primary amperes: 5 - 1000
- Electrical clearances:
 - Strike: 8.8" (224 mm)
 - Creep: 19.5" (495 mm)
- Approximate weight: 44 lbs (20 kg)

Application

The KON-12 outdoor current transformer is used for metering and relaying on outdoor 15 kV circuits.

Construction features

Primary and secondary windings are assembled around a toroidal core and attached to a support frame. For insulation and protection, the assembly is cast in hydrophobic cycloaliphatic epoxy (HCEP). The HCEP material offers superior arc track, ozone, and ultraviolet-resistive properties while maintaining physical strength. The hydrophobic surface properties of HCEP ensure highly reliable performance in wet or humid environments.

Terminals

Primary terminals are electro-tin plated copper. Clamp-type secondary terminals accommodate #14 to #1 wire. Terminal screws are slotted-head type.

Junction box

The junction box has a 1" diameter conduit entrance from three directions and is removable for simplified changeout.

Baseplate

The base is constructed of corrosion-resistant aluminum and secured to the encapsulated base support.

Mounting

The KON-12 can be mounted in upright, cantilever, or upside-down positions. Stress relief devices should be used to support cable connections.

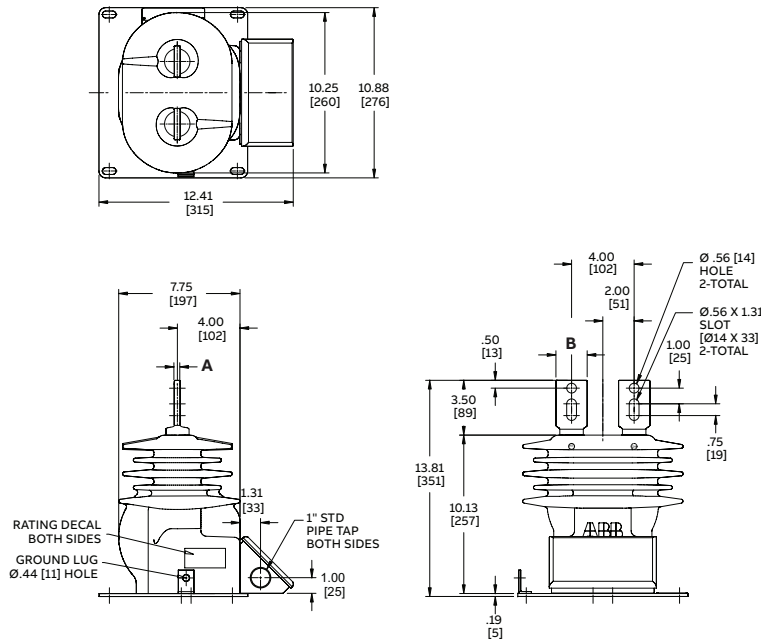
Test reports

Test reports are stored electronically and can be e-mailed in various formats at the time of shipment.

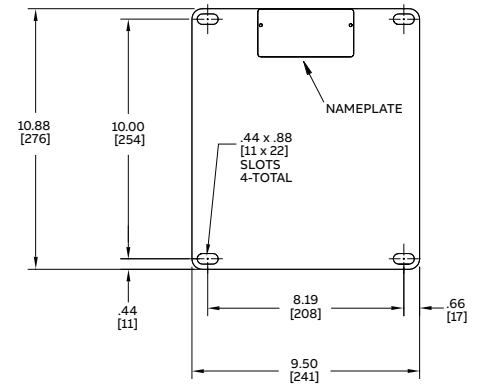
Standards

This unit can be tested to all applicable IEEE, CSA, or IEC standards as requested. This unit is tested in accordance with IEEE C57.13.6-2016 for high accuracy instrument transformers.

Unit dimensions (in. [mm])



Baseplate dimensions (in. [mm])



Bar dimensions

Primary ampere rating	A		B	
	(in)	(mm)	(in)	(mm)
5 - 100	.19	5	1.5	38
150 - 1200	.375	10	2.0	51

KON-12 selection guide

Primary ampere rating	Rating factor at 30° C	Metering accuracy	Relaying accuracy	Thermal rating*	Mechanical rating+	Style number
5	3.0	0.3B-0.5	C40	190	270	E-7524A28G16
10	3.0	0.3B-0.5	C40	190	270	E-7524A28G01
15	3.0	0.3B-0.5	C40	190	270	E-7524A28G02
20	3.0	0.3B-0.5	C40	190	270	E-7524A28G03
25	3.0	0.3B-0.5	C40	190	270	E-7524A28G04
30	3.0	0.3B-0.5	C40	190	270	E-7524A28G05
40	3.0	0.3B-0.5	C40	190	270	E-7524A28G06
50	3.0	0.3B-0.5	C40	190	270	E-7524A28G07
75	3.0	0.3B-0.5	C40	190	270	E-7524A28G08
100	3.0	0.3B-0.5	C40	190	270	E-7524A28G09
150	3.0	0.3B-0.5	C40	190	270	E-7524A28G10
200	3.0	0.3B-0.5	C40	190	270	E-7524A28G11
300	3.0	0.3B-0.5	C40	190	270	E-7524A28G12
400	3.0	0.3B-0.5	C40	150	405	E-7524A28G13
600	2.0	0.3B-0.5	C40	100	270	E-7524A28G14
800	1.5	0.3B-0.5	C40	75	202	E-7524A28G15
1000	1.2	0.3B-0.5	C40	60	162	E-7524A28G18
1200	1.0	0.3B-0.5	C40	50	135	E-7524A28G19

* times normal, one second

+ times normal

For 50 Hz styles, contact the factory.

Additional styles available upon request. Contact your ABB sales representative or call +1-252-827-3212 for more information.

Optional accessories:

Vertical mounting with mounting brackets & back-up plates: Mounting bracket - 463C035G02; Back-up plate - 28D2876G01

Vertical mounting with mounting brackets and hangers: Mounting bracket - 463C035G02; Hangers - 261A233G01

Vertical mounting with channel brackets for tandem mounting of voltage and current transformers: Channel bracket - 332B955G02

Horizontal mounting with hangers: Hangers - 261A233G01

ABB Inc.
3022 NC 43 North
Pinetops, NC 27864
Phone: +1 252 827 3212

The information contained in this document is for general information purposes only. While ABB strives to keep the information up to date and correct, it makes no representations or warranties of any kind, express or implied, about the completeness, accuracy, reliability, suitability or availability with respect to the

information, products, services, or related graphics contained in the document for any purpose. Any reliance placed on such information is therefore strictly at your own risk. ABB reserves the right to discontinue any product or service at any time.

© Copyright 2018 ABB. All rights reserved