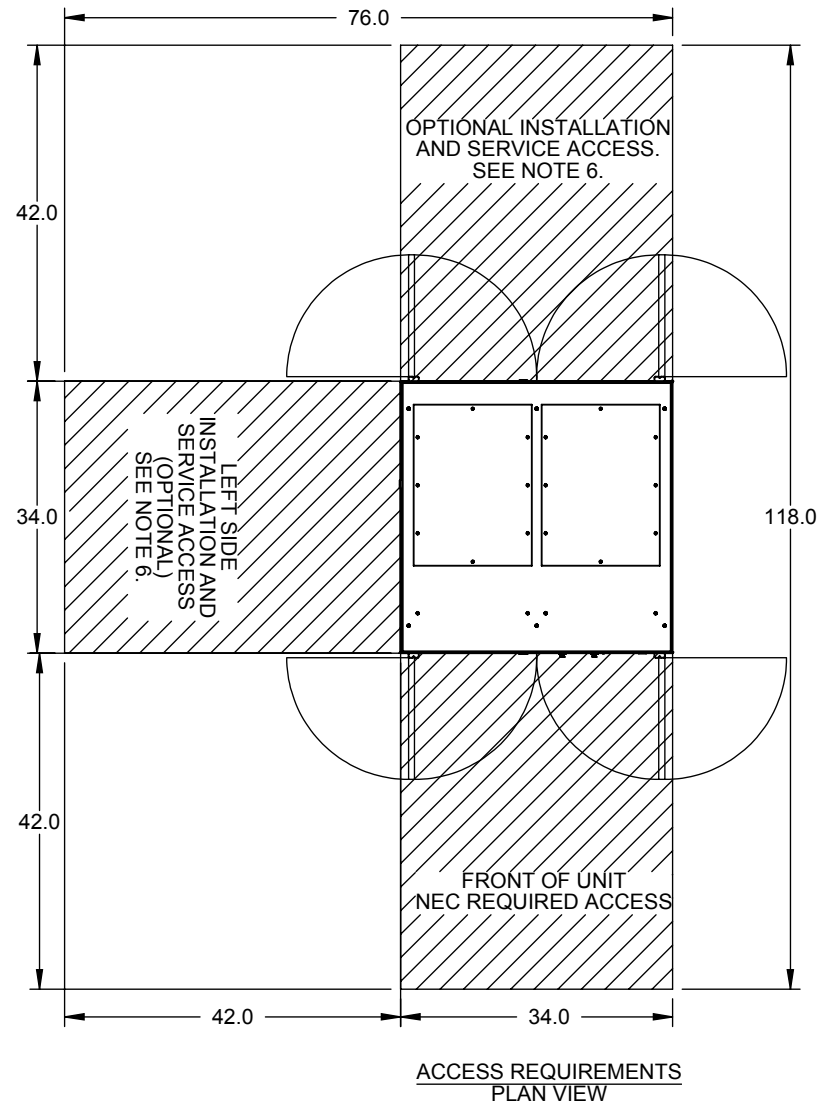
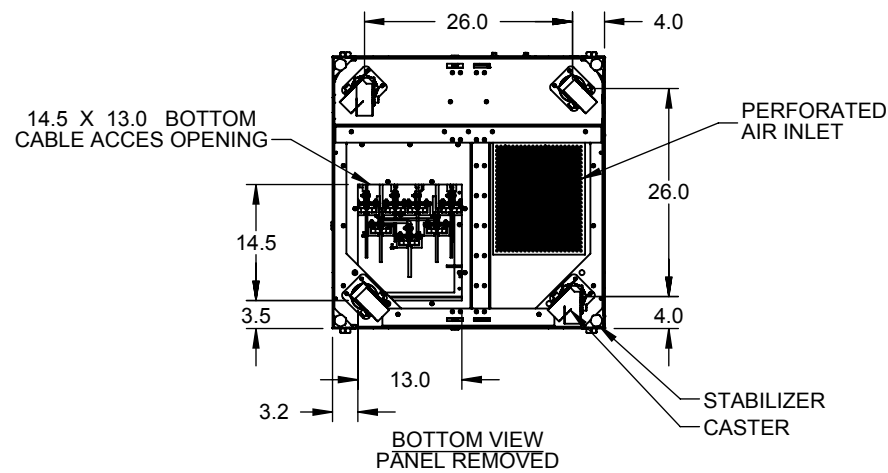
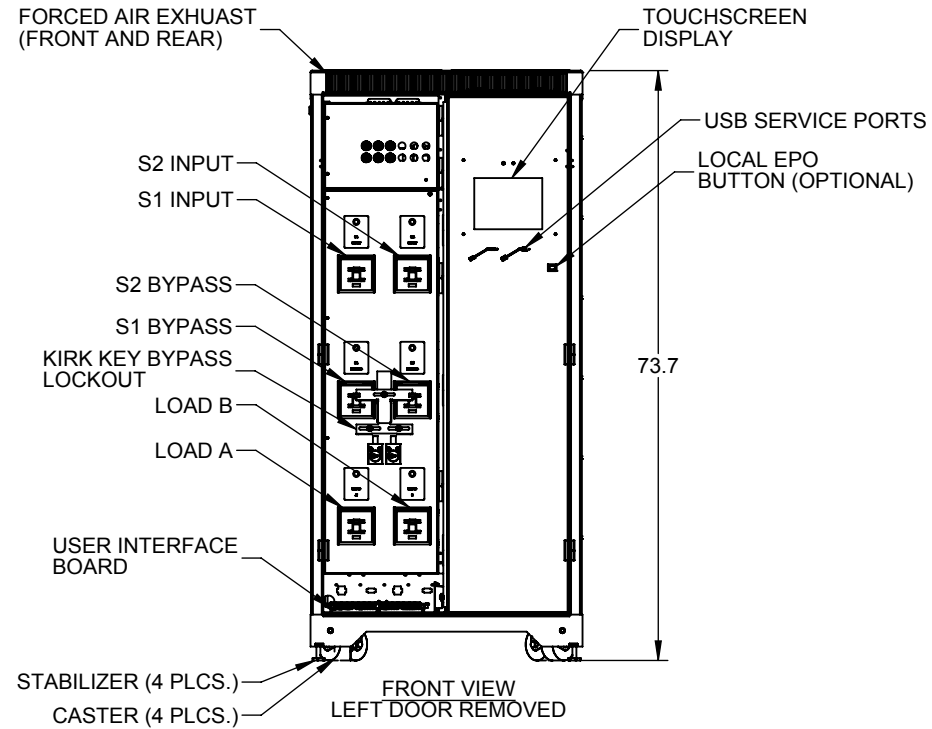
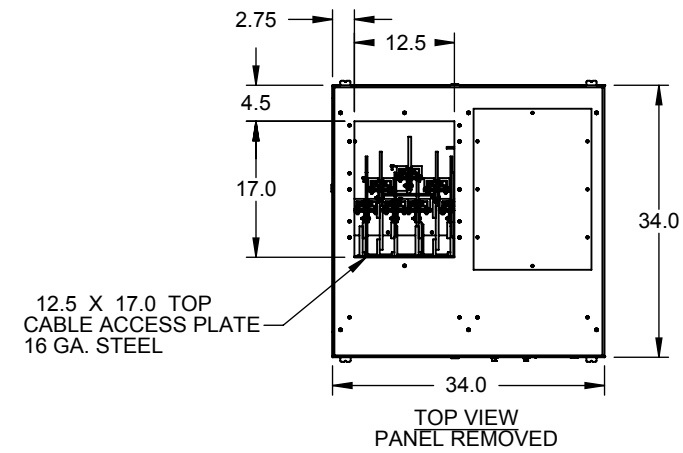
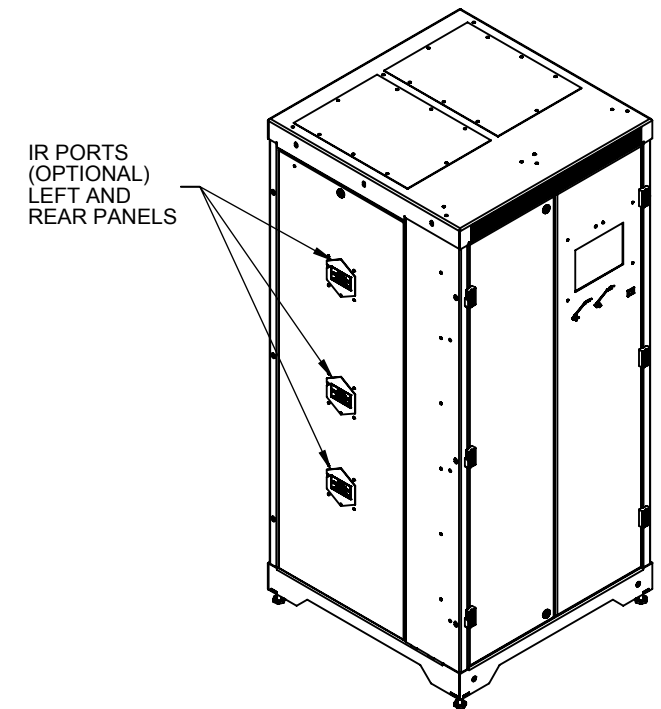


We reserve all rights in this document and in the information contained therein. Reproduction, use or disclosure to third parties without express authority is strictly forbidden. © Copyright 2014 ABB.



NOTES:

1. INSTALLATION SHALL COMPLY WITH ALL APPLICABLE NATIONAL, STATE, AND LOCAL CODES.
2. REFER TO PRODUCT DOCUMENTATION FOR ADDITIONAL DETAILS PRIOR TO SITE PREPARATION OR INSTALLATION.
3. OPERATING TEMPERATURE RANGE: 0° TO 40°C.
4. SYSTEM COOLING REQUIREMENTS: FORCED AIR COOLED.
5. SYSTEM WEIGHT:
1100 LBS (499 kg)
6. OPERATIONAL ACCESS VIA FRONT DOORS. MAINTENANCE AND CONNECTION ACCESS VIA FRONT DOORS AND REMOVEABLE SIDE PANEL OR REAR DOORS (DEPENDING ON ACCESS - SEE NOTE 7).
7. RECOMMENDED MINIMUM CLEARANCES:
FRONT = 42" (OR 36" IF 208V)
LEFT = 42" (OR 36" IF 208V)
REAR = 0" IF LEFT SIDE ACCESS IS AVAILABLE
= 42" (OR 36" IF 208V) IF NO LEFT SIDE ACCESS IS AVAILABLE
RIGHT = 0"
TOP = 20"
8. SYSTEM MUST HAVE ALL PANELS AND DOORS INSTALLED FOR PROPER OPERATION.
9. FINISH: FRAME AND OUTER PANELS, POWDER COAT INTERIOR, GALVANIZED ZINC ELECTROPLATE
10. CABLE ENTRY TOP OR BOTTOM, AS CONFIGURED PER CUSTOMER SPECIFICATION (BOTTOM ENTRY SHOWN).
11. BUSBAR TERMINALS WITH NEMA 2-HOLE LANDINGS, 1.75" SPACING 1/2-13 UNC THREAD, FURNISHED. SEE SHEET 2 FOR DETAILS.
12. UNIT DESIGNED FOR CABLE SIZES UP TO 2X 500MCM PER PHASE.



ISOMETRIC VIEW

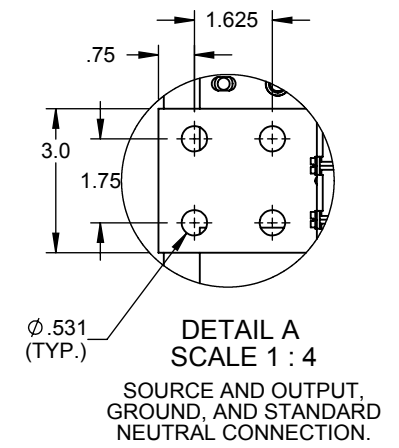
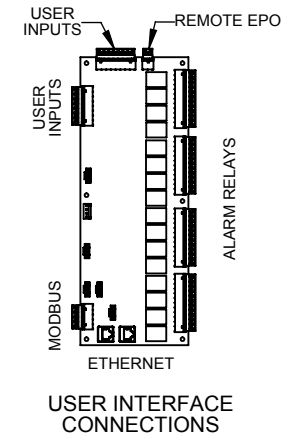
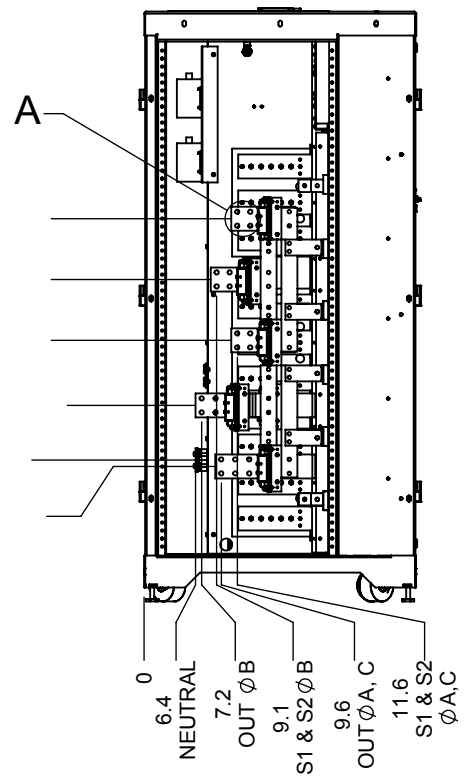
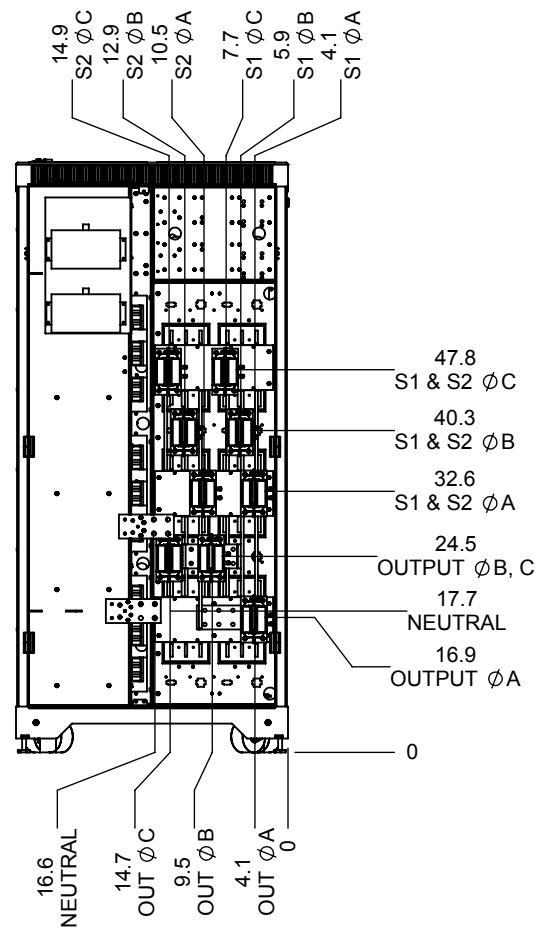
A1	3443	LEH	Removed References to 200-400A Units Increased NEC Access to 42"	7/3/2019
A00	--	GTM	INITIAL RELEASE	4/25/2016
Rev.	ECN#	Resp.	Description	Date

Revision Table

Units	Inch	Sheet Size	B	Scale	1:24	
Item ID	94-9200-00000014		Item Rev.	-		
Document ID	94-9200-00000014		Doc. Rev.	A1		
Date Drawn	7/3/2019		Page	1 / 2		

Material	SEE NOTES	Finish	POWDERCOAT, SEE NOTES	Prepared	T. Miller	Title	DWG: OUTLINE, 600A LA SS4
Tolerances	N/A	Approved	C. Belcastro	Division/Dept.	Power Protection		Document Kind DetailDrawing

We reserve all rights in this document and in the information contained therein. Reproduction, use or disclosure to third parties without express authority is strictly forbidden. © Copyright 2014 ABB



- NOTES:
1. INSTALLATION SHALL COMPLY WITH ALL APPLICABLE NATIONAL, STATE, AND LOCAL CODES.
 2. REFER TO PRODUCT DOCUMENTATION FOR ADDITIONAL DETAILS PRIOR TO SITE PREPARATION OR INSTALLATION.