



Card exchange instructions REC 523

Safety information

- Dangerous voltages can occur on the connectors, even though the auxiliary voltage has been disconnected.
- Non-observance can result in death, personal injury or substantial property damage.
- Only a competent electrician is allowed to carry out the electrical installation.
- National and local electrical safety regulations must always be followed.
- The frame of the device has to be carefully grounded.
- The device contains components which are sensitive to electrostatic discharge.
- Unnecessary touching of electronic components must therefore be avoided.

Guarantee

Please inquire about the terms of guarantee from your nearest ABB representative.

Copyright

This document and parts thereof must not be reproduced or copied without written permission from ABB, and the contents thereof must not be imparted to a third party, nor used for any unauthorized purpose. The software or hardware described in this document is furnished under a license and may be used, copied, or disclosed only in accordance with the terms of such license.

Trademarks

ABB is a registered trademark of ABB Group. All other brand or product names mentioned in this document may be trademarks or registered trademarks of their respective holders.

Disclaimer

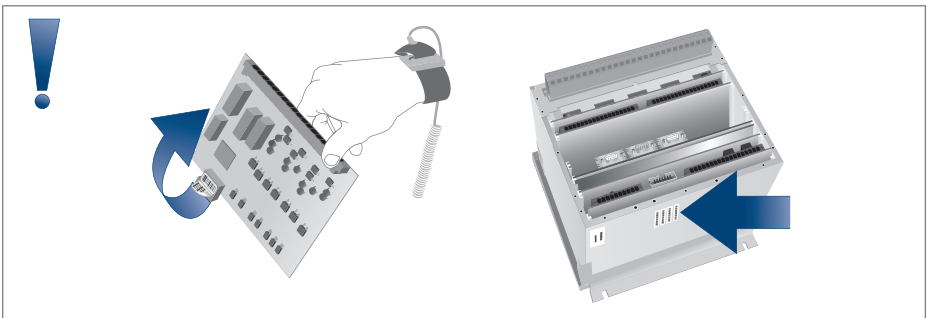
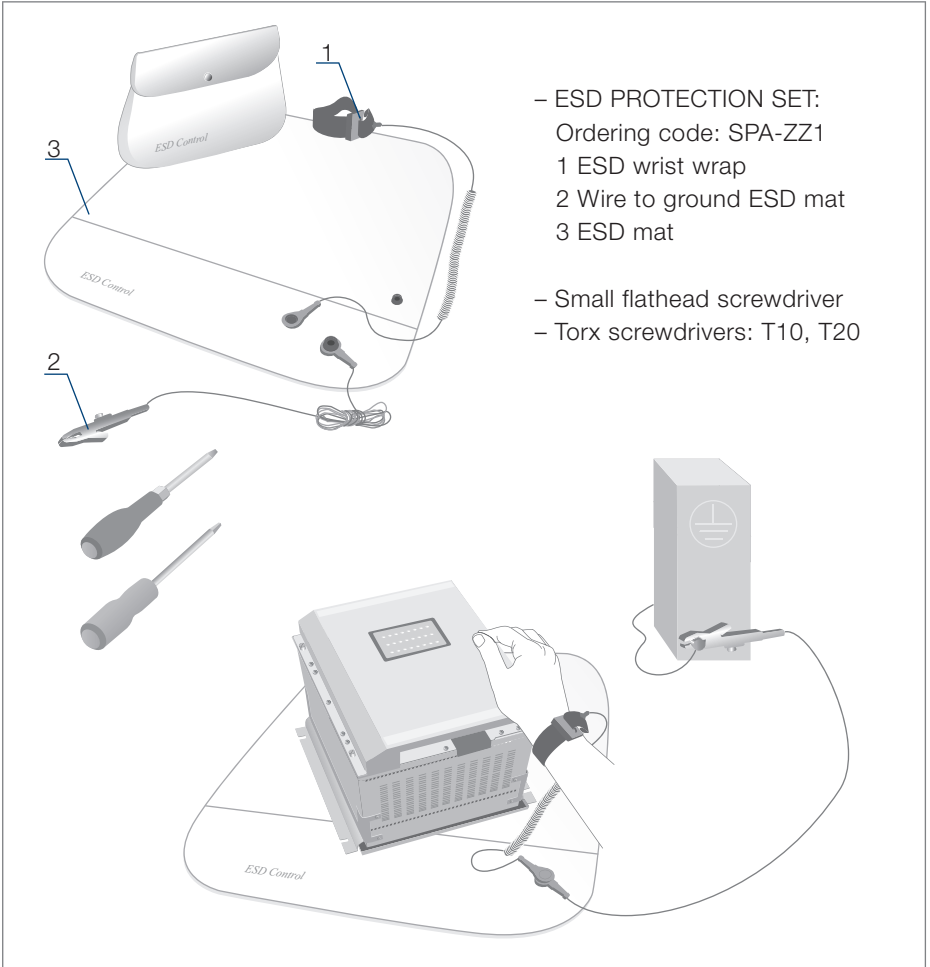
The data, examples and diagrams in this manual are included solely for the concept or product description and are not to be deemed as a statement of guaranteed properties. All persons responsible for applying the equipment addressed in this manual must satisfy themselves that each intended application is suitable and acceptable, including that any applicable safety or other operational requirements are complied with.

In particular, any risks in applications where a system failure and/or product failure would create a risk for harm to property or persons (including but not limited to personal injuries or death) shall be the sole responsibility of the person or entity applying the equipment, and those so responsible are hereby requested to ensure that all measures are taken to exclude or mitigate such risks.

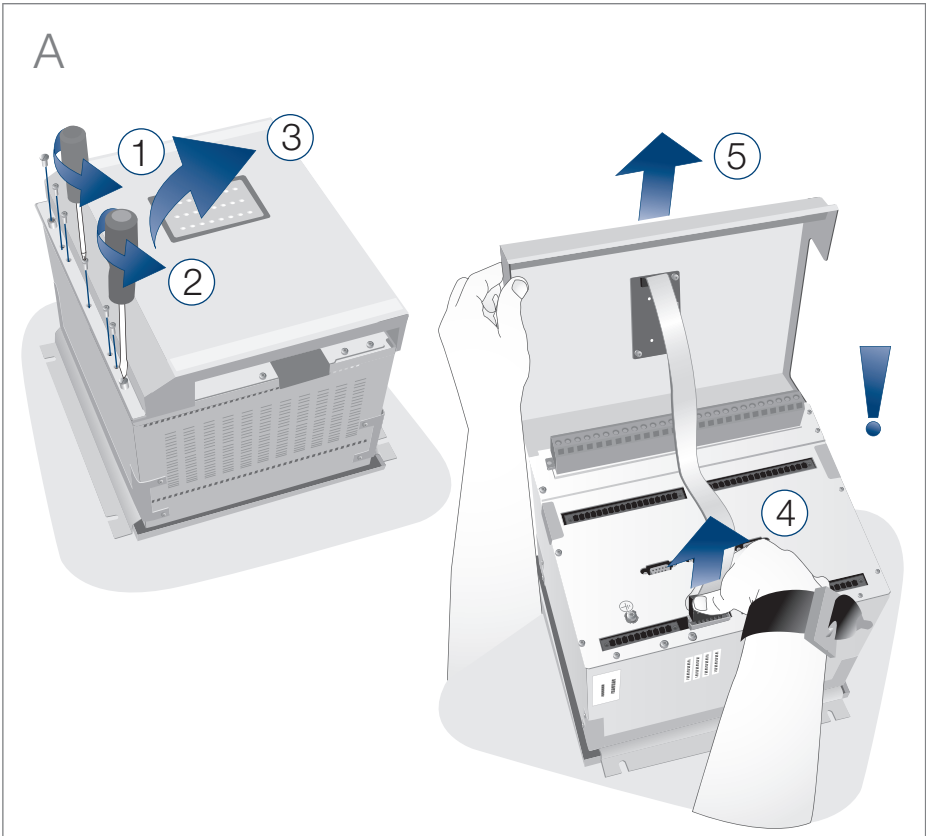
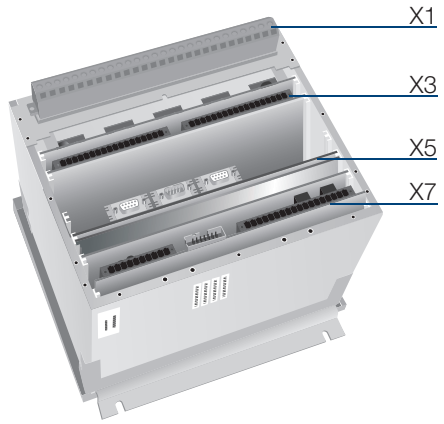
This document has been carefully checked by ABB but deviations cannot be completely ruled out. In case any errors are detected, the reader is kindly requested to notify the manufacturer. Other than under explicit contractual commitments, in no event shall ABB be responsible or liable for any loss or damage resulting from the use of this manual or the application of the equipment.

In case the seal of the ESD bag is broken (opened), the card is not refundable.

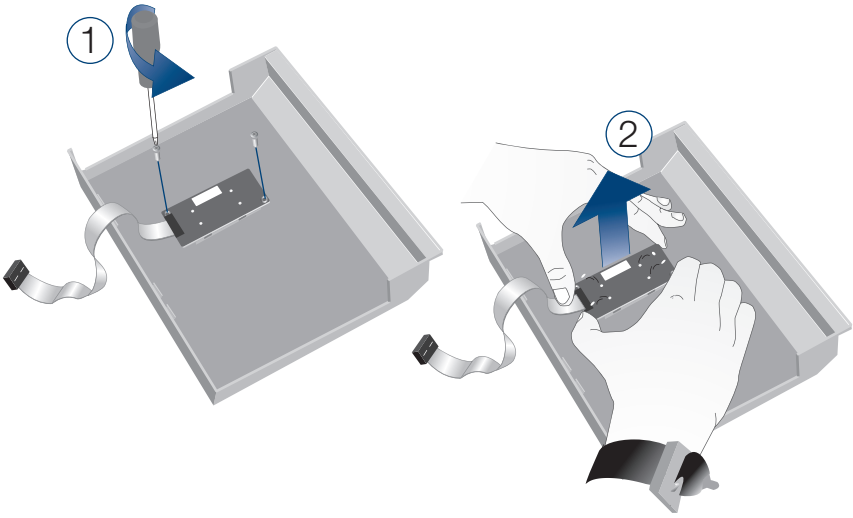
The Tool set needed on site:



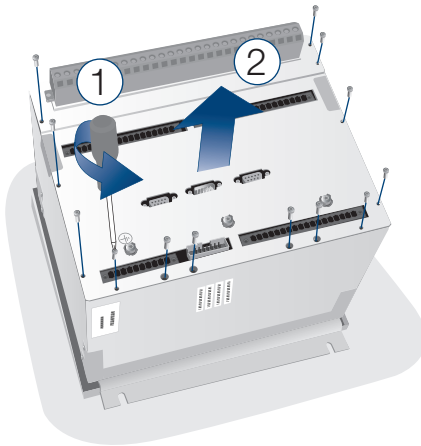
REC 523



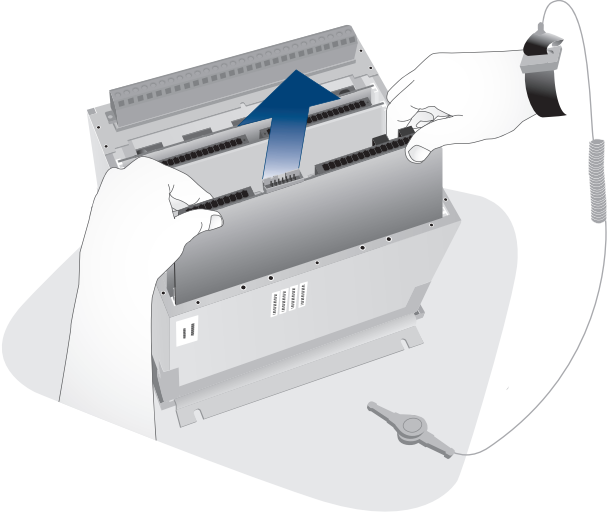
B



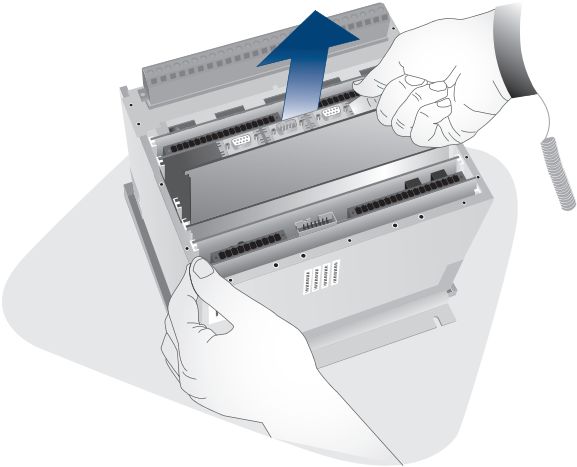
C



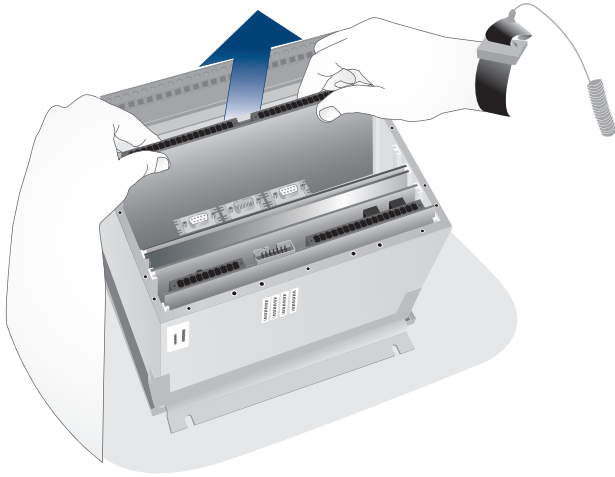
X7: PS



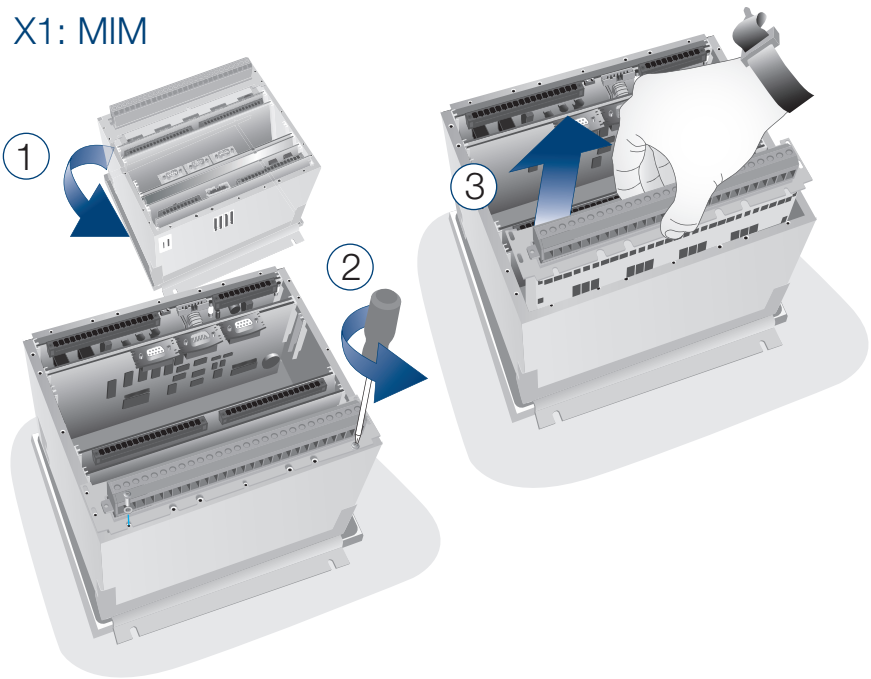
X5: CPU



X3: BIO



X1: MIM



Installing in reverse order.

Contact us

ABB Oy

Medium Voltage Products

P.O. Box 503

FI-65101 Vaasa, Finland

Phone: +358 10 2211

E-Mail: aftersales.relays@fi.abb.com

www.abb.com/substationautomation