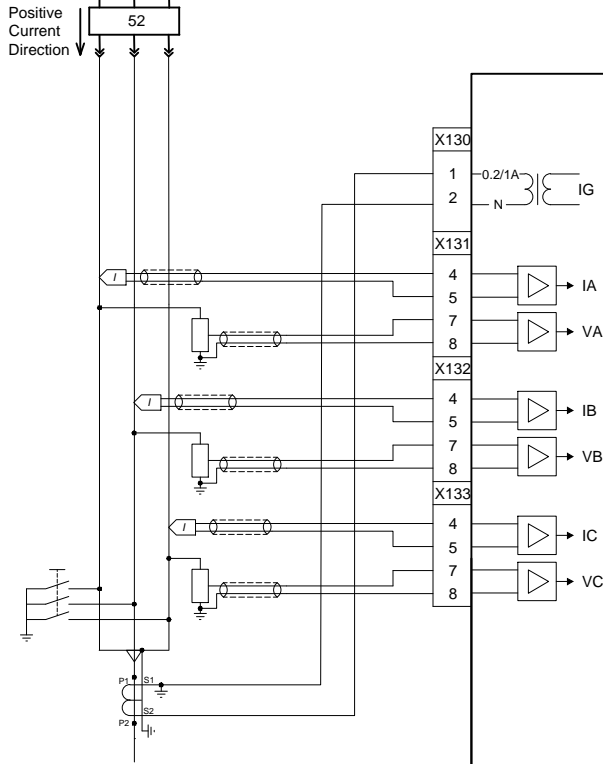
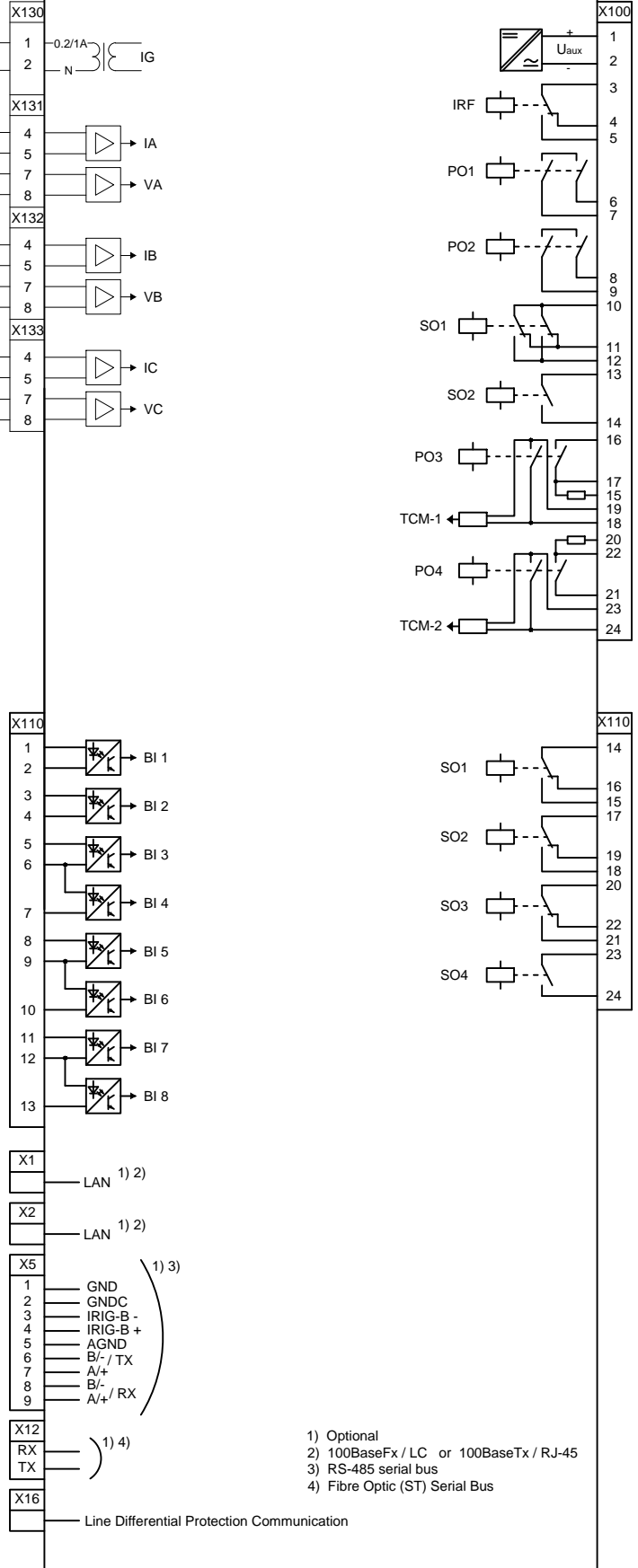


A
B
C

Positive
Current
Direction ↓



RED615



- 1) Optional
- 2) 100BaseFx / LC or 100BaseTx / RJ-45
- 3) RS-485 serial bus
- 4) Fibre Optic (ST) Serial Bus