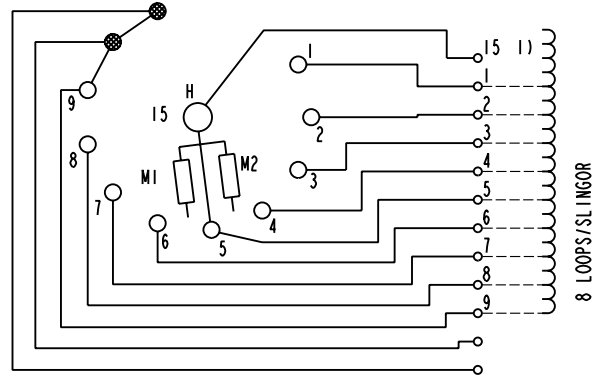


We reserve all rights in this document and in the information contained therein. Reproduction, use or disclosure to third parties without express authority is strictly forbidden. © ABB 19

Pos. Läge	H connects H förbinder
1	1 - 15
2	2 - 15
3	3 - 15
4	4 - 15
5	5 - 15
6	6 - 15
7	7 - 15
8	8 - 15
9	9 - 15

On-load tap-changer type UZEL., UZFL., 9 tap positions, linear switching.
Min. effective No. of turns in pos. 1.
The tap-changer is delivered set in pos. 5.

Lindningskopplare typ UZEL., UZFL., 9 lägen, linjär koppling.
Min. antal effektiva varv i läge 1.
Lindningskopplaren levereras inställd i läge 5.



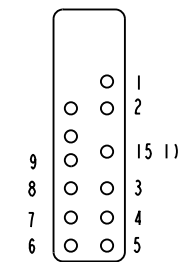
The tap-changer is shown in pos. 5
Lindningskopplaren visad i läge 5

H Main contact M1, M2 Transition contacts
Huvudkontakt Motståndskontakter

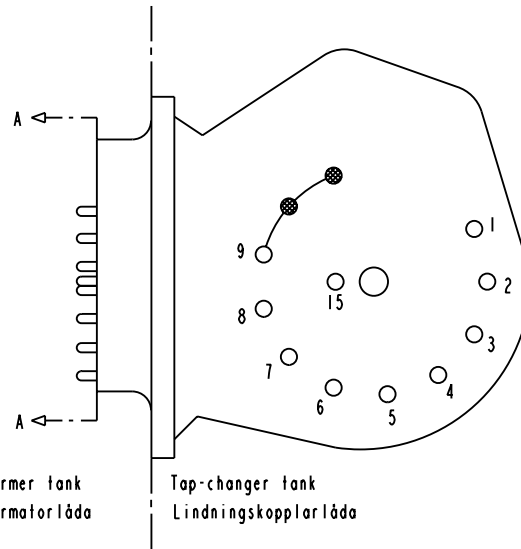
1) Connections between the terminals 15 of the three phases are included in the star-point type.

Förbindningar mellan uttag 15 i de tre faser ingår i nollpunktsutförandet.

Terminal board
Plint



Section A-A
Sektion A-A



Sheet	Cont	Year	Week	Appd	Year	Week	Description (English) CONNECTION DIAGRAM		DATA ORIGINAL
Year	Week	Rev	In	Revision	Accepted for prod by	Description (own language) KOPPLINGSSCHEMA		File name 0396-5	
Design checked by	M. Hedlund	Drawn by	L. Bergman	Issued by	Dept	Year	Week	Lang	Sheet
-		-		-		-		1	1
-		-		-		-		Rev	Cont
-		-		-		-		-	-



Asea Brown Boveri

5492 0396-5