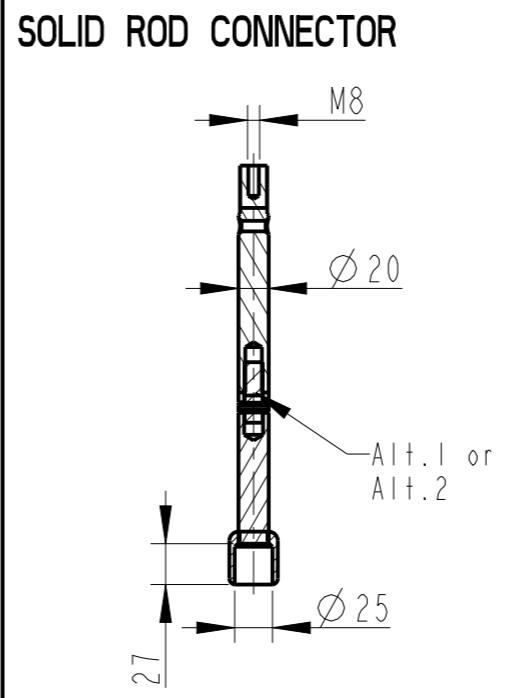
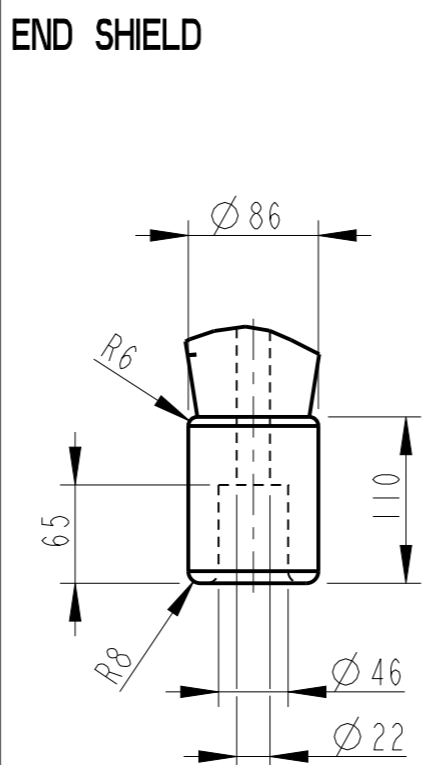
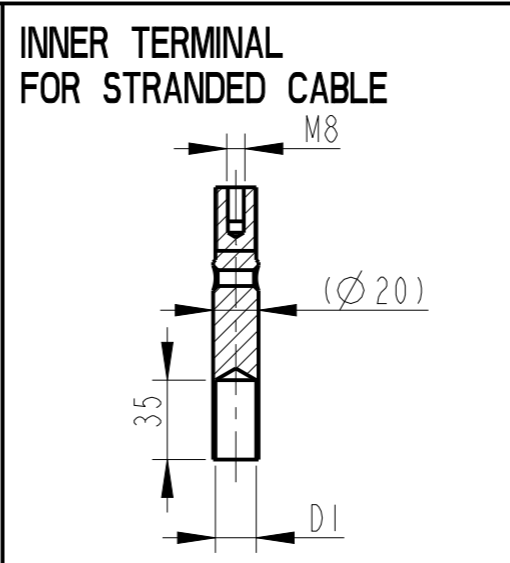
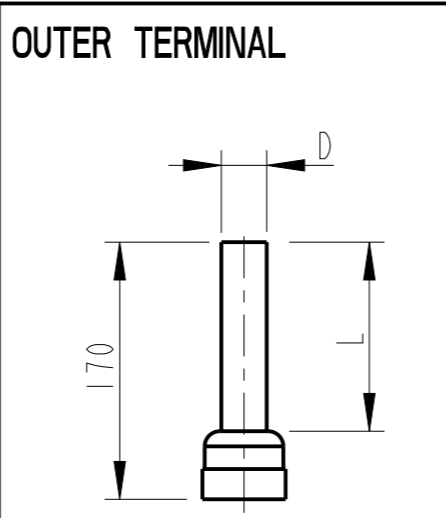
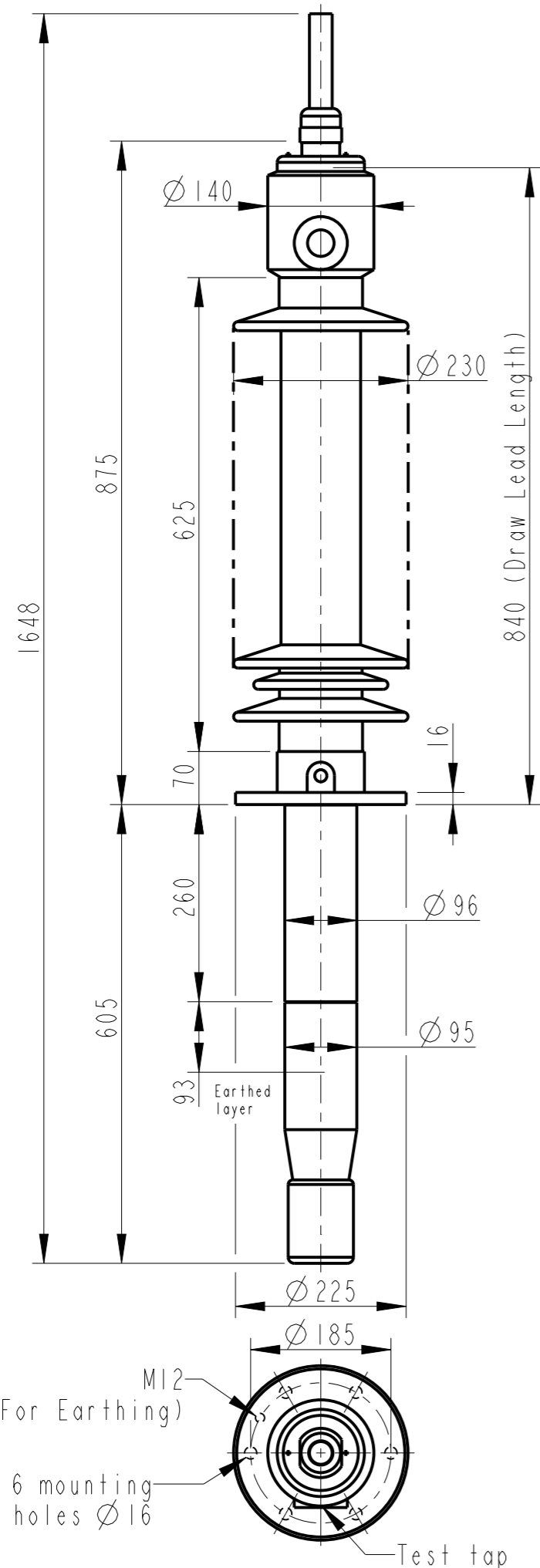


This document is issued by means of a computerized system. The digitally stored original is electronically approved. The approved document has a date entered in the "Approved"-field. A manual signature is not required.

The information contained in this document has to be kept strictly confidential. Any unauthorized use, reproduction, distribution or disclosure to third parties are strictly forbidden. ABB reserves all rights regarding Intellectual Property Rights. © Copyright 2013 ABB. All rights reserved.



The solid rod can be divided either:
 Alt.1: 20mm below the bushing flange or
 Alt.2: 20mm below the upper end of the bottom porcelain

Note:
 Mounting inclination 0-45°.
 △ For inclined and horizontal mounti see Installation and Maintenance Guide.

ABB		Ludhla, Sweden	
No.	Um/Uy	kV	A 50-60 Hz
BL	SL	AC	kV.
M	kg L	mm	V
C1	PF Tan δ	x	
C2	PF Tan δ	x	

Bushing Data:

Rated Voltage	72.5	kV
Phase to Ground Voltage	72.5	kV
Dry Lightning Impulse 1,2/50 μ s	350	kV
Wet power frequency AC	140	kV
Routine test 1min dry 50Hz	160	kV
Rated Current	800	A
Creepage Distance	2240 \pm 50	mm
Creepage Distance Protected	875	mm
Mass	32	kg

Ordering Data:

BUSHING	COLOUR AIR INSULATOR	
LF123179-M	BROWN	
-N	LIGHT GREY	
OUTER TERMINAL	Material	D L
LF 170 002-A	Cu Alloy	$\varnothing 30$ 125
LF 170 001-A	Al	$\varnothing 30$ 125
OTHER TYPES ON REQUEST		
INNER TERMINAL FOR STRANDED CABLE	Conductor area	D1
For brazing	up to 150mm ²	$\varnothing 18$
LF 170 011-S	Undrilled with pilot hole	$\varnothing 5$
LF 170 011-U	Conductor area	D1
For crimping or brazing	50mm ²	$\varnothing 11$
LF 170 010-M	70mm ²	$\varnothing 13$
LF 170 010-N	95mm ²	$\varnothing 15$
LF 170 010-L	Material	
SOLID ROD CONNECTOR	LF 170 019 -AU for Alt.1	Cu
	LF 170 019 -AV for Alt.2	Cu
TERMINAL PLATE	Material	
LF 170 014-A	Aluminim	
LF 170 021-A	Nickel-Plated Copper	

Prepared	2008-04-30	Responsible department	PPCO/BK	Title	Language
Modified by	2013-04-23	Take over department			
Approved by	2013-05-14	Used in product		Order	Steel no.
Revision	C	Note added			
ABB				Document no.	No. Shis.
				2751369-184	(1)