

TECHNICAL DATA SHEET - INTERACTIVE PDF

Seal fittings, PVC Coated EZD and EZS series

Ocal[®]



01



02

01 EZD Series
02 EZS Series

Features:

- Explosion-proof
- Dust-ignition proof
- UV resistant gray PVC coating
- Designed to isolate sections of conduit runs from passage of vapors, flame, or gases
- Designed to limit explosion damage to the sealed off enclosure and limit pre-compression or pressure piling in conduit system.
- Helps maintain ground continuity

Applications:

- For use in rigid conduit systems located:
 - Indoors or outdoors
 - In wet locations
 - In hazardous locations
 - In areas where corrosion protection is needed
- In hazardous locations, seal fittings are needed for the following instances:
 - Where the conduit enters an enclosure that contains arcing or high temperature equipment
 - Where the conduit enters enclosures that house terminals, splices, or taps, if the conduit is 2" trade size or larger
 - Where the conduit leaves a Division 1 area or passes from a Division 2 hazardous area to a non-hazardous location.

PVC coated seal fittings are used with rigid conduit systems in hazardous and corrosive environments

Certifications / Standards:



3-Part Specification: 26 05 33.14

End User Tools

Compliances and Certifications:

- UL Certified
 - UL1203
 - CSA C22.2 No. 25 & No 30
 - NEC/CEC
 - Class I, Divisions 1 & 2, Groups C, D
 - Class II, Divisions 1 & 2, Groups E, F, G
 - Class III
- NEMA
 - NEMA Ratings: 3 & 4
 - NEMA Standard RN-1

Seal fittings are only approved to be used with Crouse-Hinds[®] Chico[®] A compound and Chico[®] X fiber

Material / Finishes:

- Body: Ductile iron or aluminum / Gray PVC coating
- Cover: Ductile iron or aluminum / Gray PVC coating
- Plugs: Iron or steel / Zinc plated
- Breather/Drain: Stainless steel / Natural
- Closed nipples: Steel / Natural

EZD

Vertical fill only

Product selection - inches									
Part no. Female hubs	Figure	Trade size (NPT)	A	B	C	D	Turning radius	Internal Volume (in. ³)	
EZD111-G	1	½	4.28	3.47	3.09	1.34	2.80	5.00	
EZD211-G	1	¾	4.28	3.72	3.09	1.59	2.92	6.00	
EZD311-G	1	1	5.03	3.97	3.59	1.84	3.05	10.00	
EZD411-G	1	1 ¼	5.15	4.40	3.59	2.28	3.26	11.00	
EZD511-G	1	1 ½	5.28	4.65	3.59	2.53	3.39	13.00	
EZD611-G	1	2	7.15	5.34	5.65	3.09	3.80	40.00	

Notes: Product must be installed in accordance with applicable national and local electrical codes. Dimensions shown are nominal and should only be used as a reference

EZS

Vertical / horizontal fill

Product selection - inches									
Part no. Female hubs	Part no. Male & Female hubs	Figure	Trade size (NPT)	A	B	C	D	Turning radius	Internal Volume (in. ³)
EZS1-G	EZS16-G	2	½	4.28	3.72	2.59	1.34	3.05	6.25
EZS2-G	EZS26-G	2	¾	4.28	3.89	2.59	1.59	3.10	6.50
EZS3-G	EZS36-G	2	1	5.03	4.21	3.09	1.84	3.29	10.25
EZS4-G	EZS46-G	2	1 ¼	5.15	4.68	3.09	2.28	3.54	12.50
EZS5-G	EZS56-G	2	1 ½	5.28	4.71	3.34	2.53	3.45	14.50
EZS6-G	EZS66-G	2	2	7.15	5.50	5.28	3.09	3.93	46.00
EZS7-G	EZS76-G	2	2 ½	8.03	6.05	5.28	3.59	4.26	55.00
EZS8-G	EZS86-G	2	3	8.72	6.68	5.97	4.34	4.52	90.00

Notes: Product must be installed in accordance with applicable national and local electrical codes. Dimensions shown are nominal and should only be used as a reference
Male and female hubs will come with a close conduit nipple that can be installed on either the top or bottom hub to create a male NPT conduit connection.

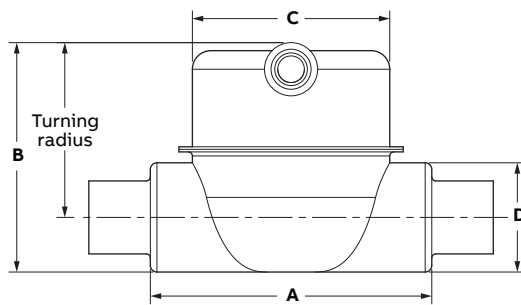


Figure 1

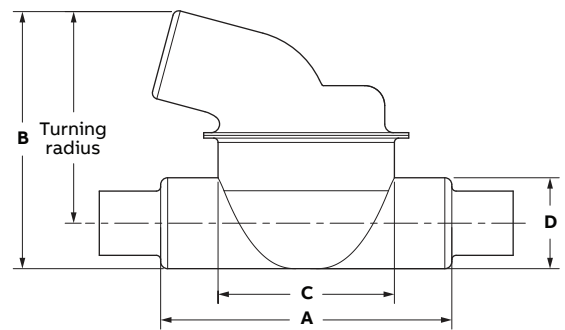


Figure 2