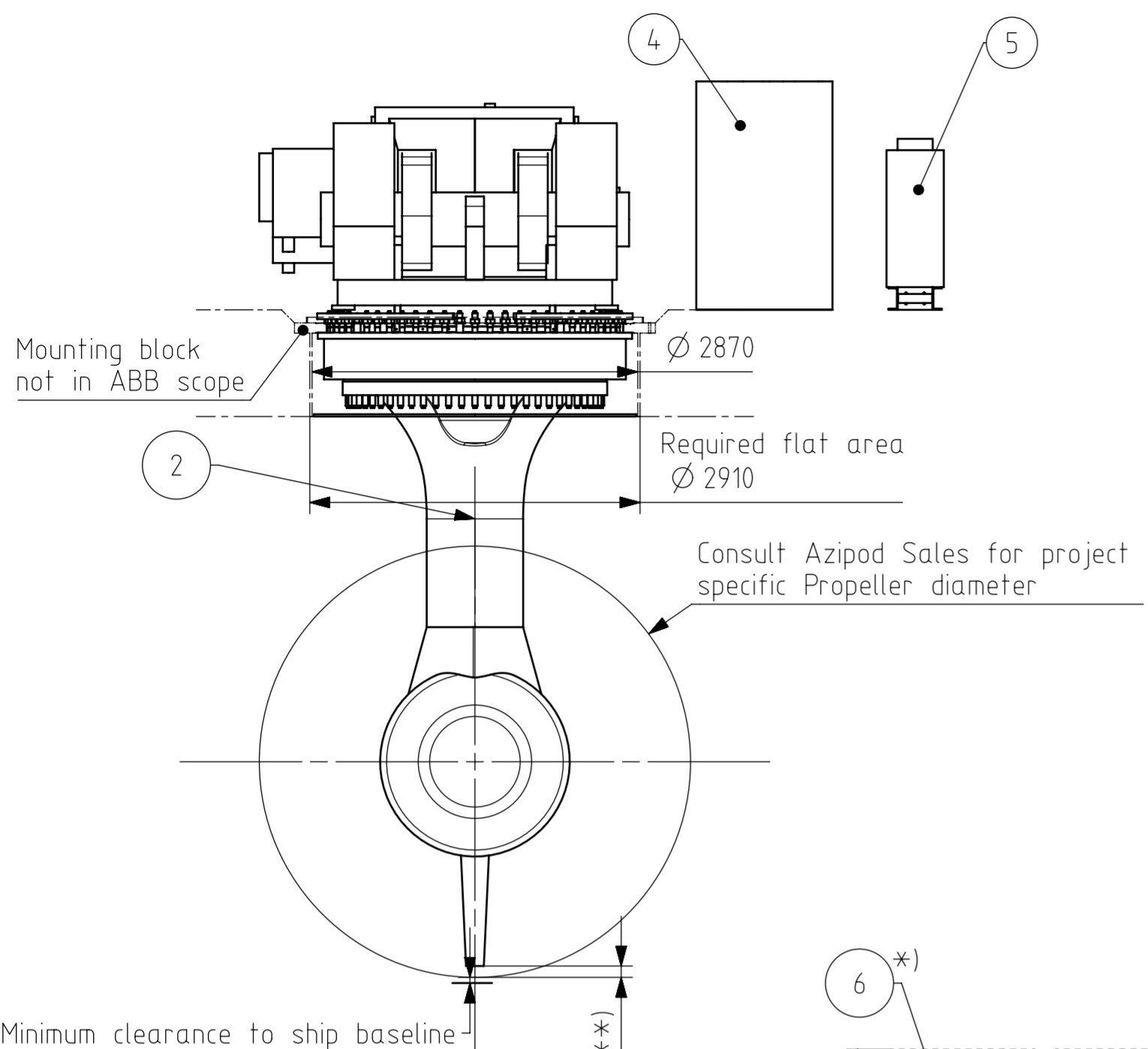
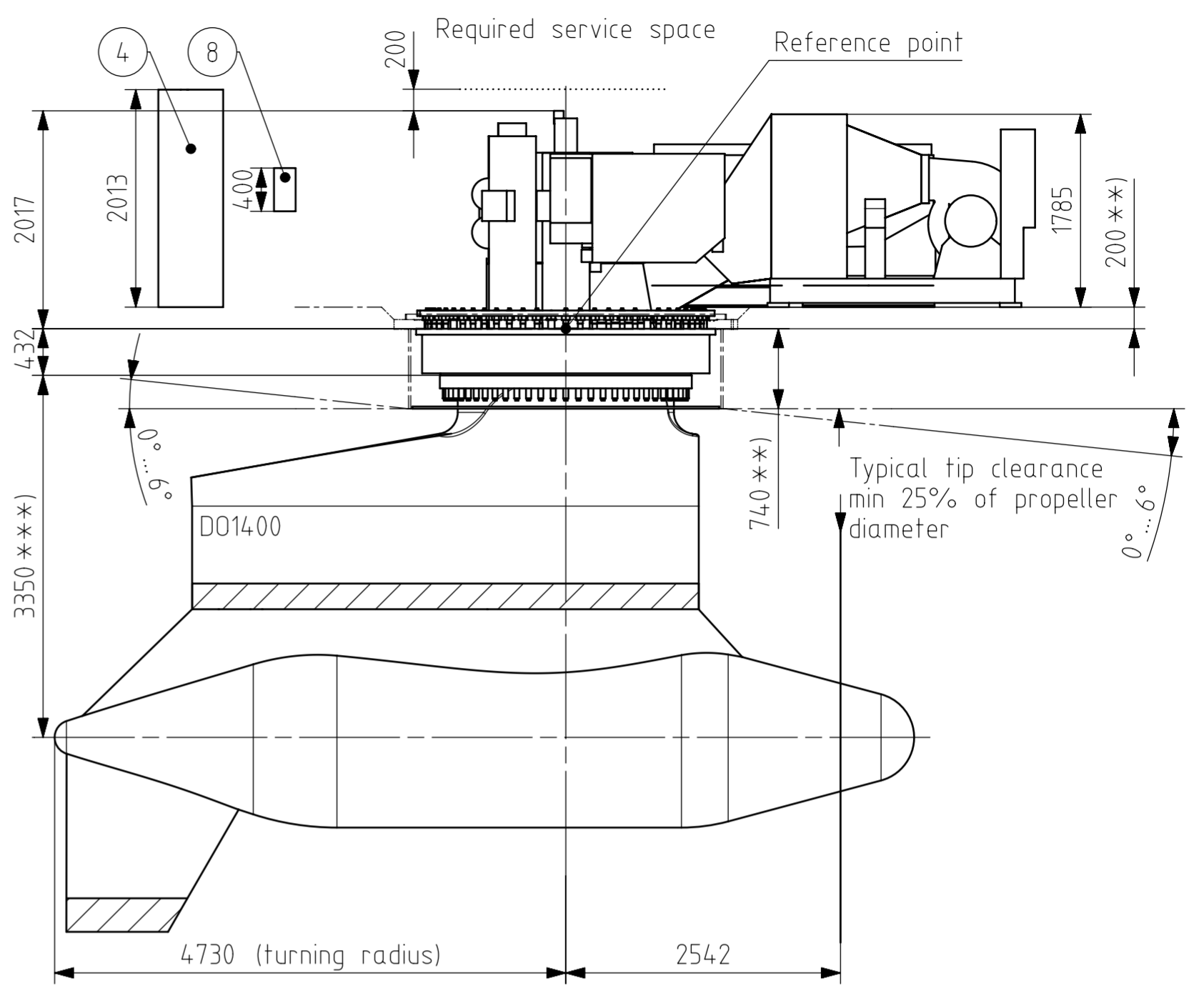
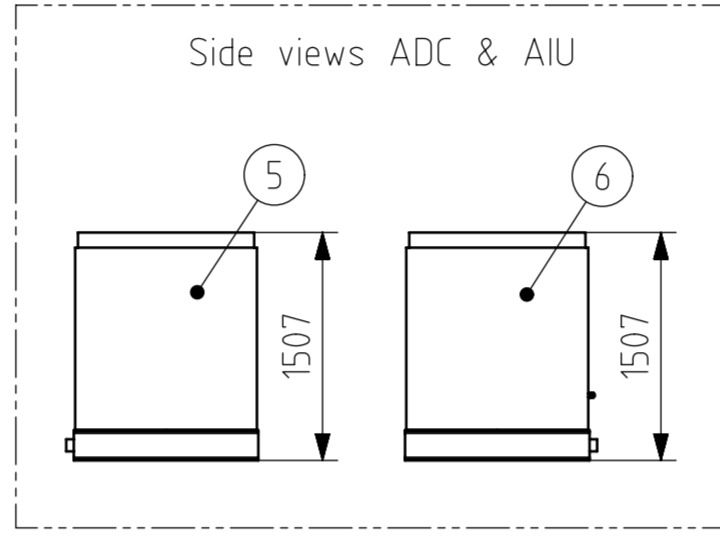


We reserve all rights in this document and in the information contained therein. Reproduction, use or disclosure for any purpose without express written permission of ABB is prohibited. In case of interpretation disputes the English text applies.

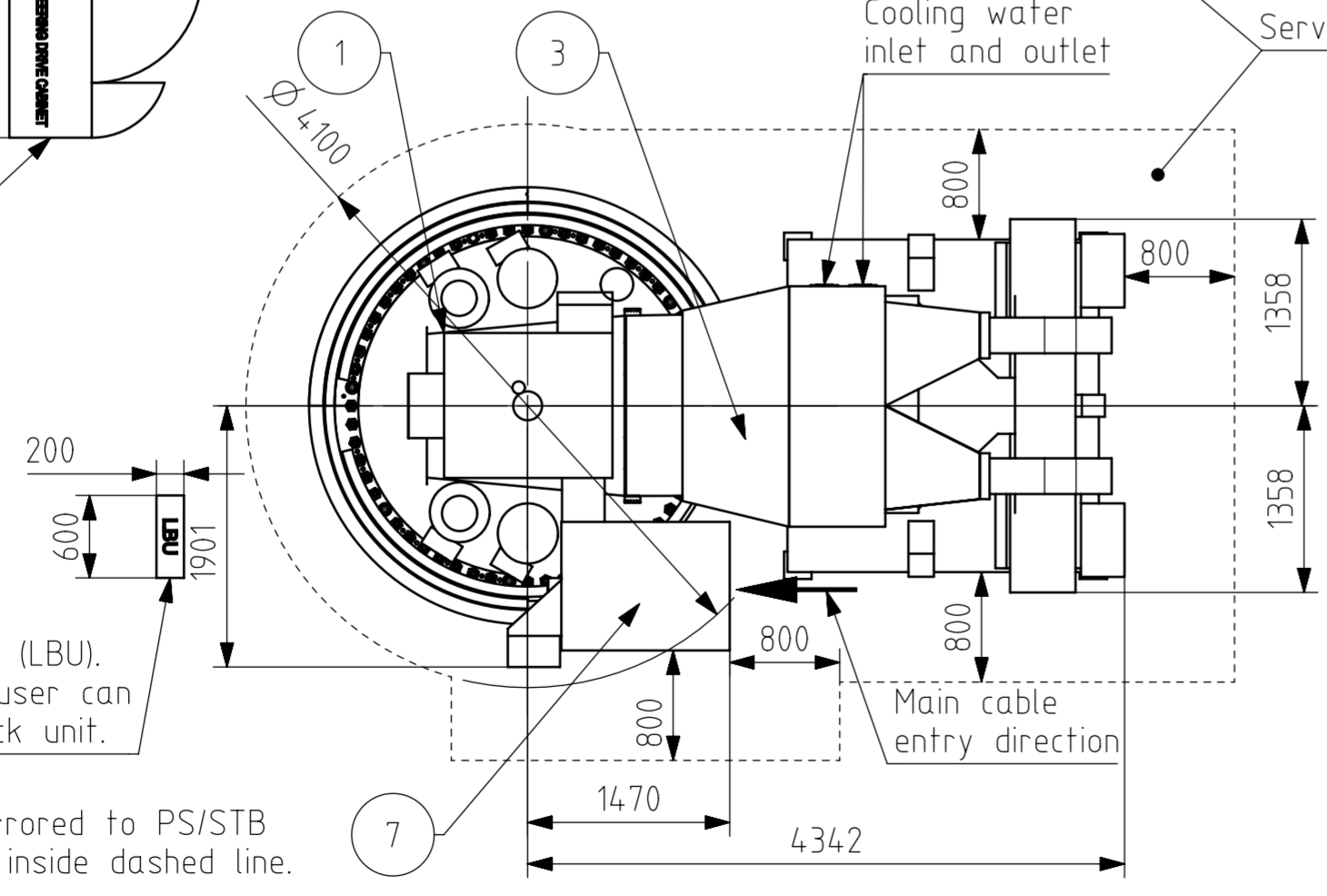
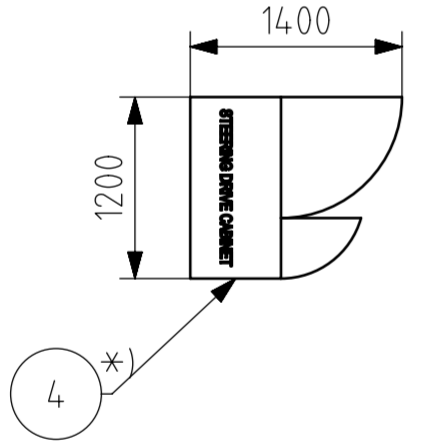
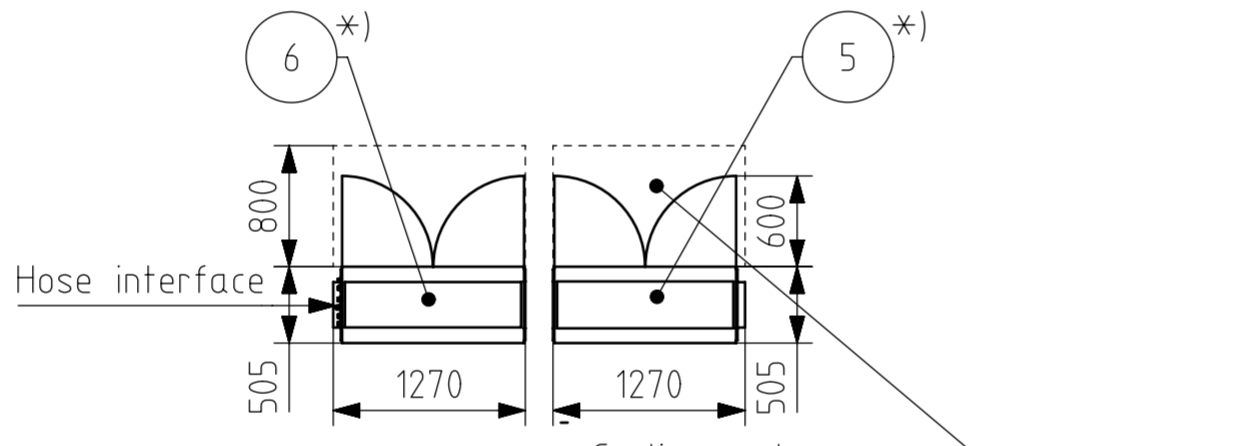
Unless otherwise stated: General tolerances for welded constructions: EN ISO 9900-BF; EN ISO 9900-1; EN ISO 9900-2; EN ISO 9900-3; EN ISO 9900-4; EN ISO 9900-5; EN ISO 9900-6; EN ISO 9900-7; EN ISO 9900-8; EN ISO 9900-9; EN ISO 9900-10; EN ISO 9900-11; EN ISO 9900-12; EN ISO 9900-13; EN ISO 9900-14; EN ISO 9900-15; EN ISO 9900-16; EN ISO 9900-17; EN ISO 9900-18; EN ISO 9900-19; EN ISO 9900-20; EN ISO 9900-21; EN ISO 9900-22; EN ISO 9900-23; EN ISO 9900-24; EN ISO 9900-25; EN ISO 9900-26; EN ISO 9900-27; EN ISO 9900-28; EN ISO 9900-29; EN ISO 9900-30; EN ISO 9900-31; EN ISO 9900-32; EN ISO 9900-33; EN ISO 9900-34; EN ISO 9900-35; EN ISO 9900-36; EN ISO 9900-37; EN ISO 9900-38; EN ISO 9900-39; EN ISO 9900-40; EN ISO 9900-41; EN ISO 9900-42; EN ISO 9900-43; EN ISO 9900-44; EN ISO 9900-45; EN ISO 9900-46; EN ISO 9900-47; EN ISO 9900-48; EN ISO 9900-49; EN ISO 9900-50; EN ISO 9900-51; EN ISO 9900-52; EN ISO 9900-53; EN ISO 9900-54; EN ISO 9900-55; EN ISO 9900-56; EN ISO 9900-57; EN ISO 9900-58; EN ISO 9900-59; EN ISO 9900-60; EN ISO 9900-61; EN ISO 9900-62; EN ISO 9900-63; EN ISO 9900-64; EN ISO 9900-65; EN ISO 9900-66; EN ISO 9900-67; EN ISO 9900-68; EN ISO 9900-69; EN ISO 9900-70; EN ISO 9900-71; EN ISO 9900-72; EN ISO 9900-73; EN ISO 9900-74; EN ISO 9900-75; EN ISO 9900-76; EN ISO 9900-77; EN ISO 9900-78; EN ISO 9900-79; EN ISO 9900-80; EN ISO 9900-81; EN ISO 9900-82; EN ISO 9900-83; EN ISO 9900-84; EN ISO 9900-85; EN ISO 9900-86; EN ISO 9900-87; EN ISO 9900-88; EN ISO 9900-89; EN ISO 9900-90; EN ISO 9900-91; EN ISO 9900-92; EN ISO 9900-93; EN ISO 9900-94; EN ISO 9900-95; EN ISO 9900-96; EN ISO 9900-97; EN ISO 9900-98; EN ISO 9900-99; EN ISO 9900-100.



**) Consult Azipod Sales for other heights
 ***) Available Strut heights:
 3150mm
 3350mm
 3650mm
 Consult Azipod Sales for other heights



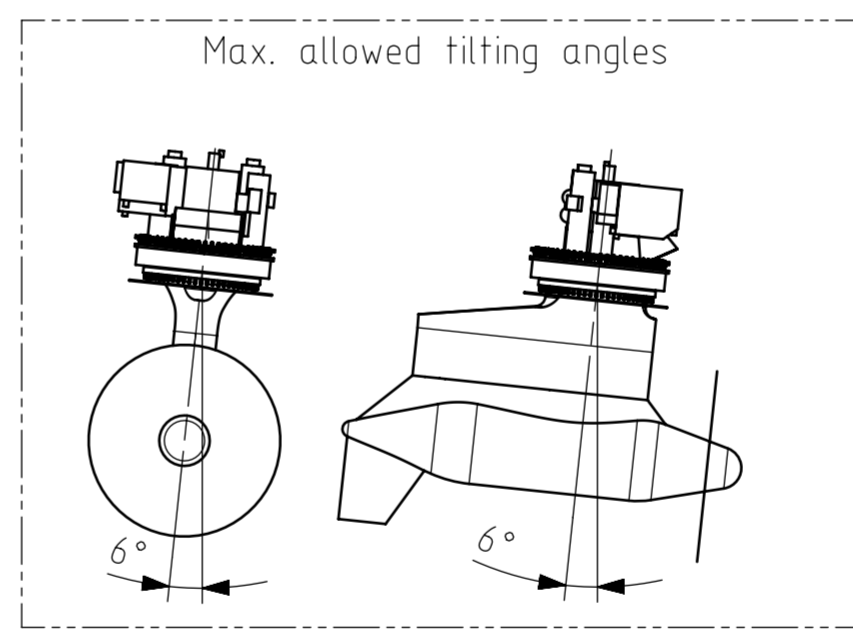
Minimum clearance to ship baseline
 50



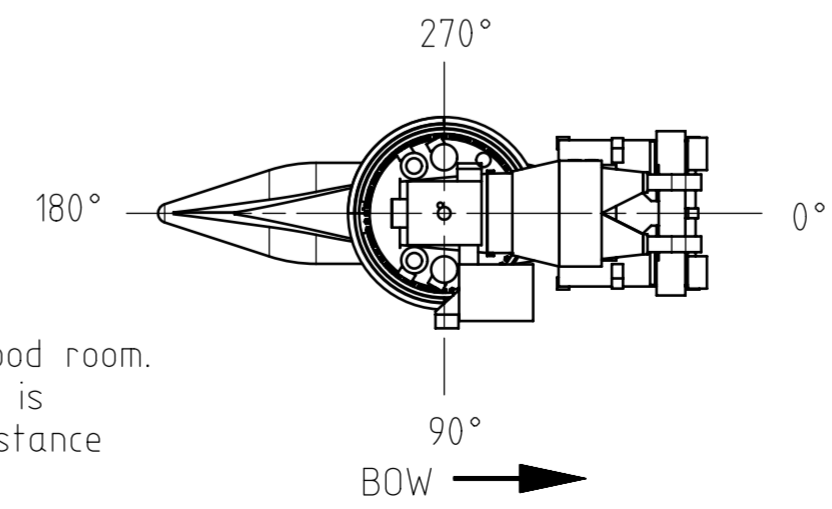
Local Backup Unit (LBU).
 Located so that user can see angle feedback unit.

Note! Layout not to be mirrored to PS/STB
 Recommended service area inside dashed line.

*) AIU and steering drive cabinets can be located freely inside Azipod room.
 ADC cabinet can be located freely inside Azipod room as long as it is horizontally less than 5m from steering module and Max. vertical distance from shaftline to ADC cabinet is less than 6m.



Mounting angle for steering module and CAU can be selected freely in 90° steps. 0° is standard.



Project specific structure

| Number | Part | Weight [kg] |
|--------|--------------------------------|-------------|
| 1 | Steering module | 14000 |
| 2 | Propulsion module | 65000 |
| 3 | Cooling air unit (CAU) | 4700 |
| 4 | Steering drive cabinet | 500 |
| 5 | Azipod interface unit (AIU) | 440 |
| 6 | Auxiliary device cabinet (ADC) | 460 |
| 7 | Junction box (JB1) | 720 |
| 8 | Local Backup Unit | 30 |

PRELIMINARY
 Not to be used
 for construction.

| | | | | |
|----------------------------|--------------------|-------------------------------|---|----------------|
| Created 2019-08-15 | Partanen, Milla | Document kind 27 | Title MAIN DIMENSIONS | Scale 1:50 |
| Reviewed 2019-12-11 | Railo, Ville-Pekka | Responsible department VAX | | Language EN |
| Approved 2019-12-11 | Ruyck, Kasper De. | Based on | | Size A2 |
| Security level Internal | Our reference | Weight kg | Machine Type AZIPOD D01400P-S2300-LV | Revision A |
| | | Marine & Ports | Document id 3AFV3503229 | Sheet 1/1 |