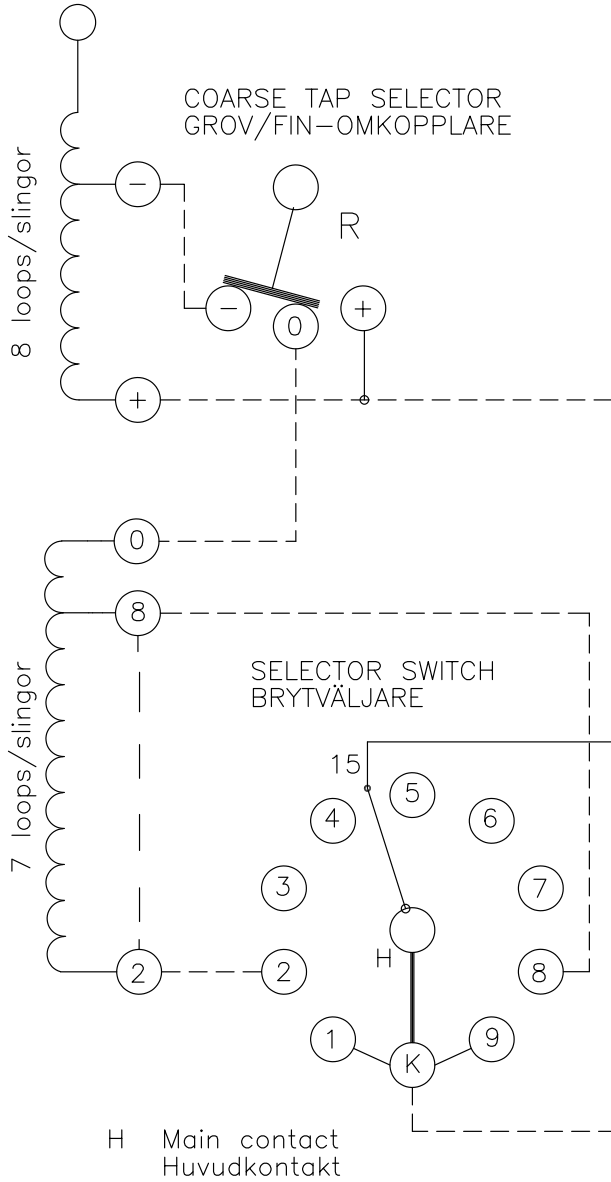


On-load tap-changer type VUBBD, UBBD, 15 tap positions, coarse/fine-switching.
 Min effective No. of turns in pos 1.
 The tap-changer is delivered set in pos 8, the preceding pos. was 8A.

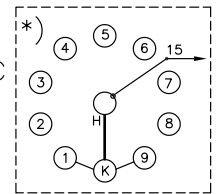
Lindningskopplare typ VUBBD, UBBD, 15 lägen, grov/fin-koppling.
 Min antal effektiva varv i läge 1.
 Lindningskopplaren levereras inställd i läge 8, föregående läge var 8A.



Pos Läge	R connects förbinder	H connects förbinder
1		8 - 15
2		7 - 15
3		6 - 15
4		5 - 15
5		4 - 15
6	0 -	3 - 15
7		2 - 15
8A		1 - 15
8		K - 15
8B		9 - 15
9		8 - 15
10		7 - 15
11	0 +	6 - 15
12		5 - 15
13		4 - 15
14		3 - 15
15		2 - 15

We reserve all rights in this document and in the information contained therein. Reproduction, use or disclosure to third parties without express authority is strictly forbidden.
 © ABB '19

1) OUTPUT TERMINAL
 STRÖMAVTAGNING
 *) FOR VUBB TYPE OF OLTC
 I VUBB UTFÖRANDE



1) Internal connections between the terminals 15 of the three phases are included in the star-point type. Connections between 9, K and 1 are included.
 Dashed lines show in delivery not included leads belonging to cleats and leads.

Inre förbindningar mellan uttag 15 i de tre faserna ingår i nollpunktsutförande. Förbindningar mellan 9, K och 1 ingår. Streckade linjer visar i leveransen ej ingående ledare tillhörande anslutningsdonet.

H Main contact
 Huvudkontakt

2	Output for VUBB type added.	DAAN	20	15
1	VUBBD added.	TL	10	27
Rev Ind	Revision	Appd	Year	Week

Accepted by qual control R.Yngvesson	Accepted for prod by	Description (English) CONNECTION DIAGRAM	DATAORIGINAL
Design checked by B-O.Stenestam	Drawn by L.Bergman	Description (own language) KOPPLINGSSHEMA	File name 0392-5
Drawing checked by M.Hedlund	Issued by Dept Year Week COM/TKO 97 32		Lang Sheet 1
Asea Brown Boveri		5492 0392-5	Rev Ind Cont 2 -

Sheet	Cont
Year	Week
Dept	
Rev Ind	
Design checked by	
Drawn by	Form No.