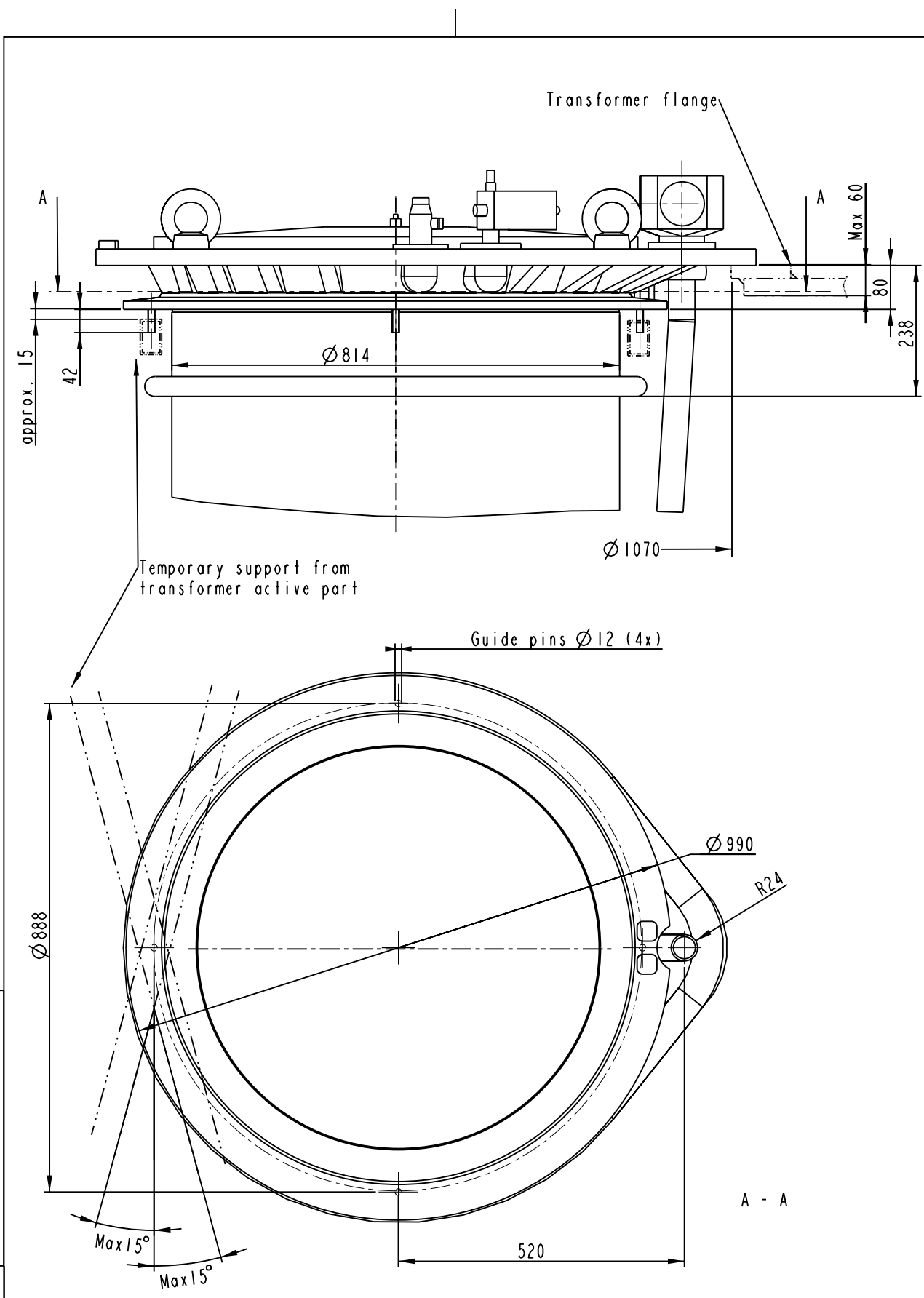
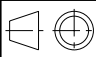



We reserve all rights in this document and in the information contained therein. Reproduction, use or disclosure to third parties without express authority is strictly forbidden. ©ABB



Inspection engineering review  
 Design engineering review  
 Production engineering review

Based on	Reg. No.	Title	 Language <b>en</b>
Prepared B Hultgren 96-04-28	Responsible department COM/TK	MOUNTING ON ACTIVE PART TAP-CHANGER UCC/UCD	
Approved M Eriksson	Take over department		Page 1(1)
Revision	Database DIMENSION_DWGS	Document No. 54920087-1	
 <b>ABB Components</b>			