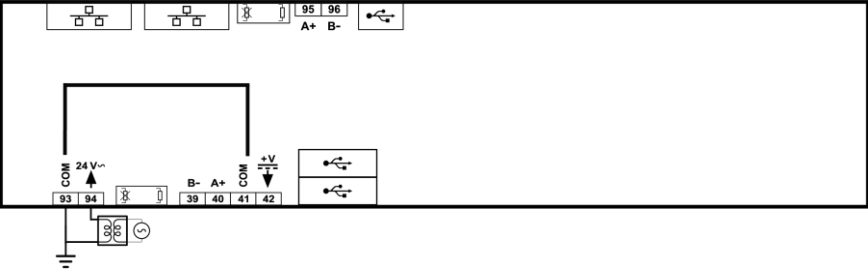
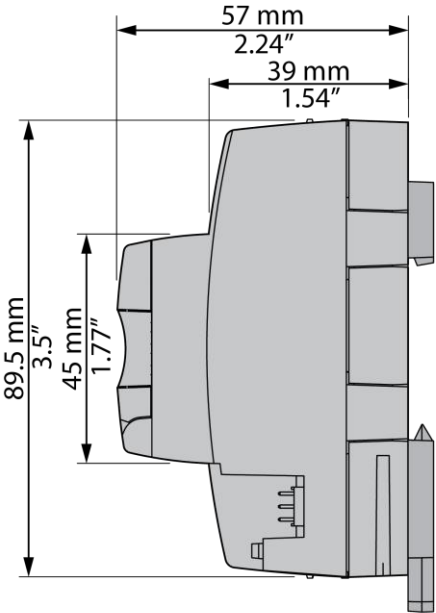
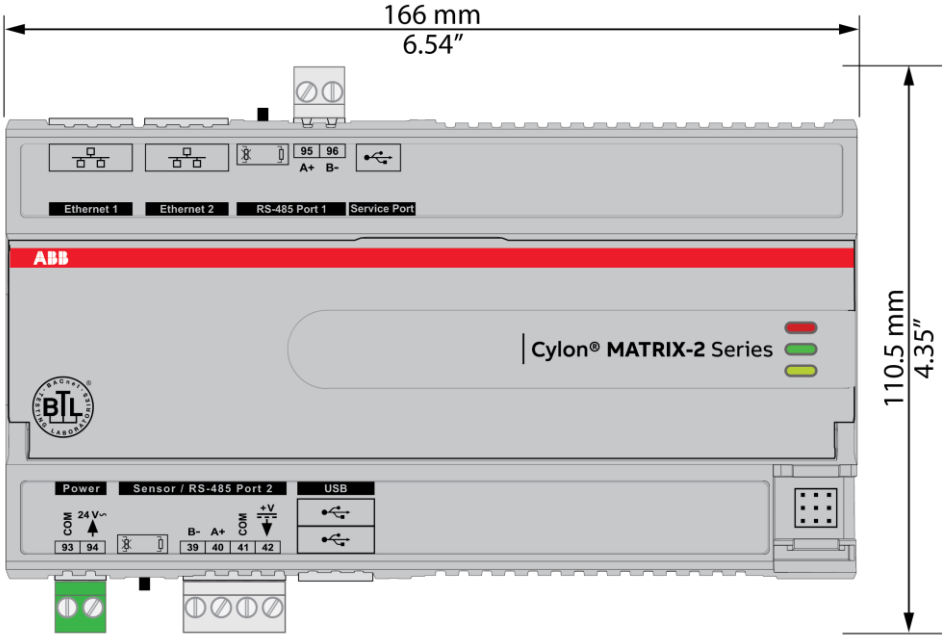


INSTALLATION AND WIRING

BDS0034 rev 8

Cylon® MATRIX-2



Ground
COM Common

25 26 Terminal Numbers

Supply Requirements	24 V AC ±20 % 50/60 Hz
Supply Rating	20 VA
BACnet Loading	¼ unit load device



	Terminal Numbers	Description
	93, 94	24 V AC Power Important: The common power connection (terminal 93) must be connected to Earth. ABB Cylon recommend that this is done at the 24 V AC transformer.
	95, 96	RS-485 Port 1 (isolated) screw terminal The bus Terminator Switch is located beside the port. If the switch is towards the icon, then termination is <i>in</i> and if the switch is towards the icon then termination is <i>out</i> .
	39 ... 42	RS-485 Port 2 (non-isolated) screw terminal The bus Terminator Switch is located beside the port. If the switch is towards the icon, then termination is <i>in</i> and if the switch is towards the icon then termination is <i>out</i> . Note: There is no support for a Sensor on the MATRIX-2 , so terminal 42 is Not Connected .

Indicator LEDs		Off	On	Slow Blink	Fast blink
	Red LED (Power)	Power is off	Power is on	— Unit Rebooting —	—
	Green LED (Status)	Unit is not running		Unit is running	
	Yellow LED (FLX)		— Not Used —		

Note: During typical operation, the Red LED should be on, the Green LED should be blinking and the Yellow LED should be off.

	Ethernet Ports
	Service Port (Micro USB)
	USB ports Reserved for firmware upgrade.
	<p>Push buttons</p> <p>Reset Ethernet settings (IP address) only : while the controller is <i>running</i>, press SW1 for 1 second. On release, LED L2 will light up. All ethernet settings will be returned to factory defaults 192.168.1.251/24. Groups and Users (passwords) will remain intact</p> <p>Reset everything to factory defaults : while the controller is <i>running</i>, press and hold SW1. After 3 seconds LED L2 will light up, continue to hold SW1 for at least 10 seconds. Release SW1. All ethernet settings will be returned to factory defaults 192.168.1.251/24. Groups and Users (passwords) will be reset to factory defaults.</p> <p>Restart the device leaving all ethernet settings and passwords intact: while the controller is <i>running</i>, press SW2 for 1 second. The red indicator LED will remain on. The Green indicator LED will stay off until reboot in complete. The Green indicator LED will begin to flash when reboot is done. The Yellow indicator LED will be off unless there is a problem</p>
	<p>LED L1 / LED L2 Red L2 lights up when reset is triggered.</p>

For further information on installing and configuring the MATRIX-2 device see the MATRIX-2 Series Installation manual:

<https://share.library.abb.com/api/v4?cid=Root&q=MAN0155>

