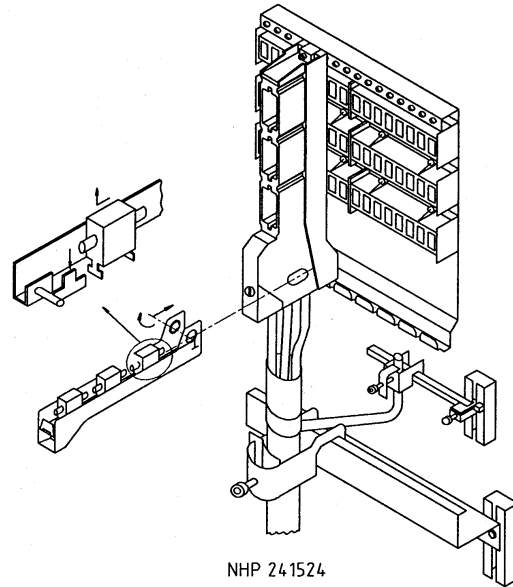


Montasjeveiledning  
Installation Instruction  
Montage- und Betriebsanleitung

SLK 160  
SLK 160  
SLK 160

Gr. 00  
Gr. 00  
Gr. 00

NHP 403202P0715 Rev.A

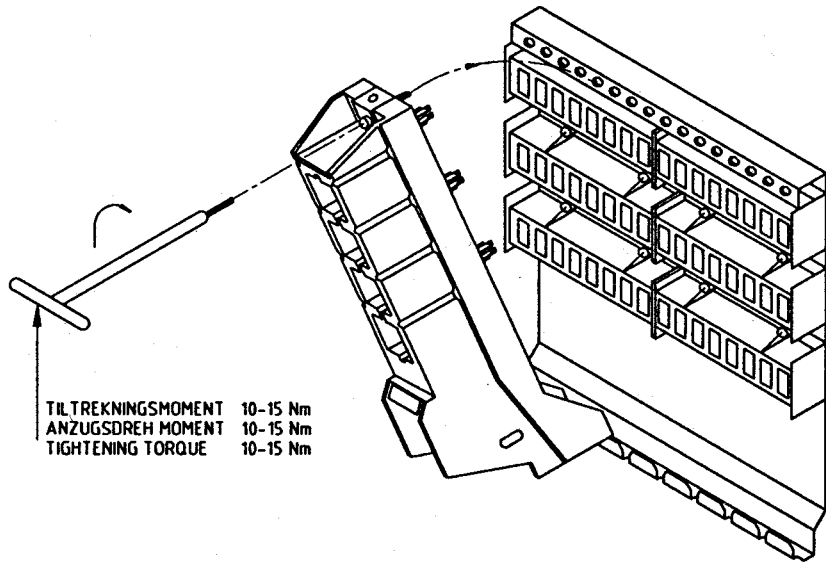


# SLK 160

3

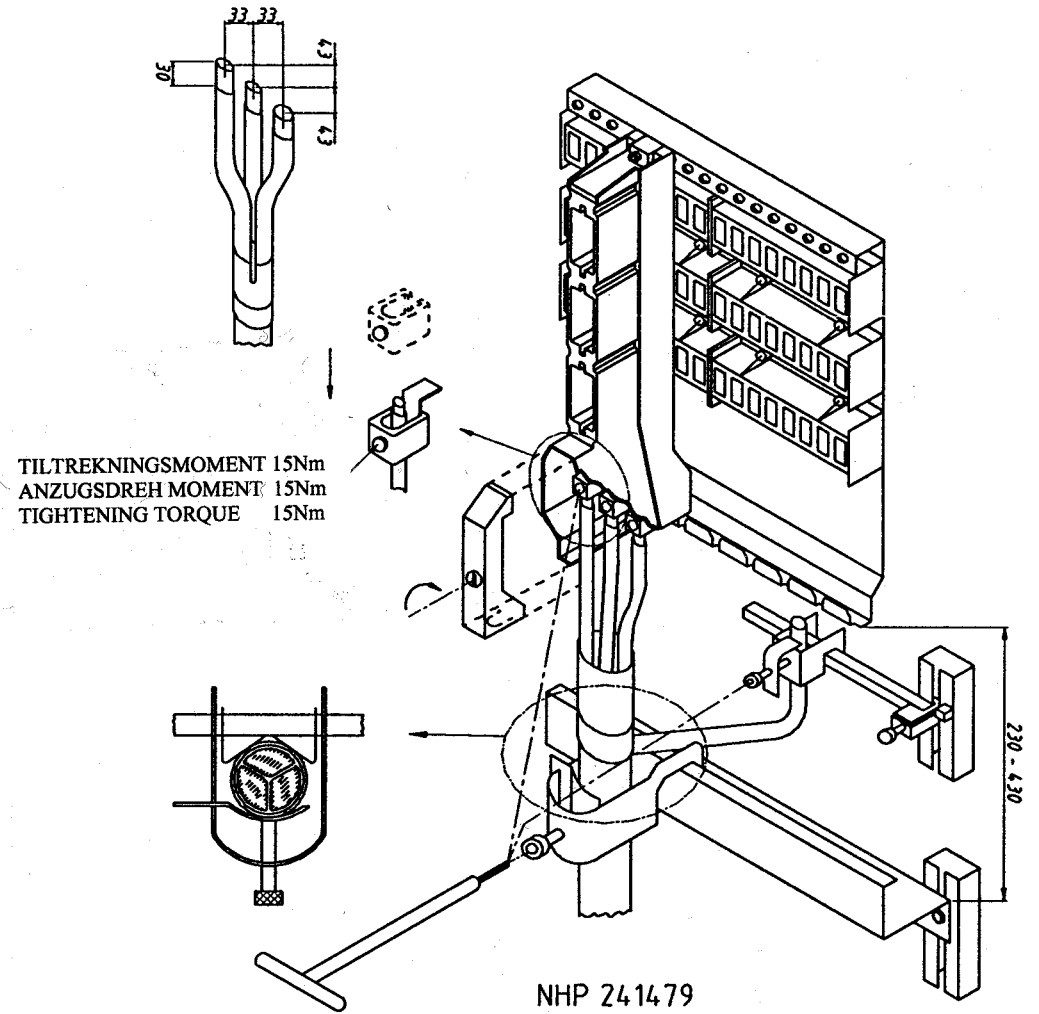
**ABB**

ABB Control AS  
P.O. Box 100 - Sentrum  
N-3701 Skien, Norway  
Tel. : +47 35 58 25 00  
Fax : +47 35 58 28 00  
E-mail : [abb.control@no.abb.com](mailto:abb.control@no.abb.com)



NHP 241523

1



NHP 241479

2