

# Electromagnetic Flowmeter FXE4000-DE43F



# Contents

- 1 Name plate specifications for spare parts orders ..... 3**
  - 1.1 Name plate for compact design ..... 3
  - 1.2 Identifying the transmitter design..... 3
  
- 2 Overview ..... 4**
  
- 3 Transmitter housing ..... 5**
  
- 4 Transmitter plug-in unit..... 6**
  
- 5 Accessories ..... 6**
  
- 6 Seals for welded spuds series FXE4000 ..... 7**
  - 6.1 Flat gaskets (new according to PED)..... 7
  - 6.2 O-Ring seals (old) ..... 7

# 1 Name plate specifications for spare parts orders

The flowmeter version can be identified by referring to the name plate that is attached to the housing.

## 1.1 Name plate for compact design

When placing spare parts orders, always remember to state the order number as shown on the name plate.

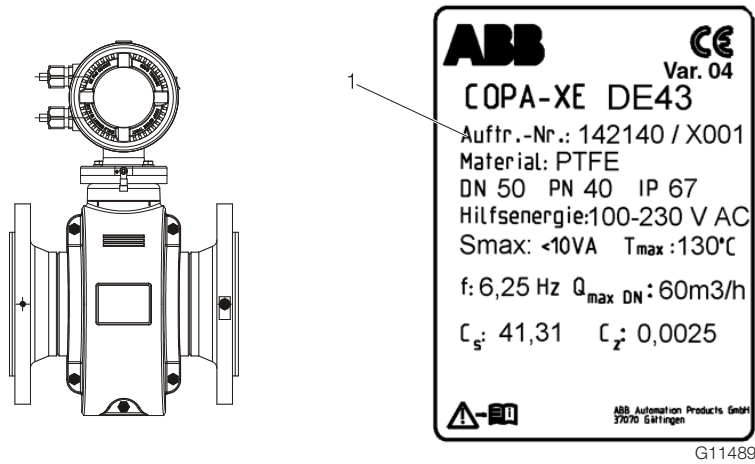


Fig. 1: Name plate for compact design  
1 Order number

## 1.2 Identifying the transmitter design

The transmitter design (Variant) can be identified from the plate located on the metal frame of the transmitter plug-in module.

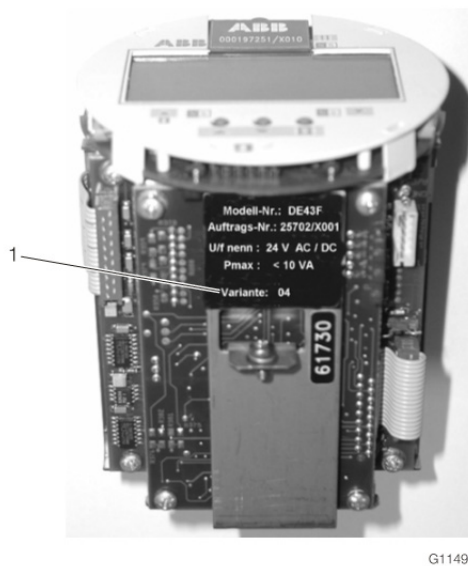
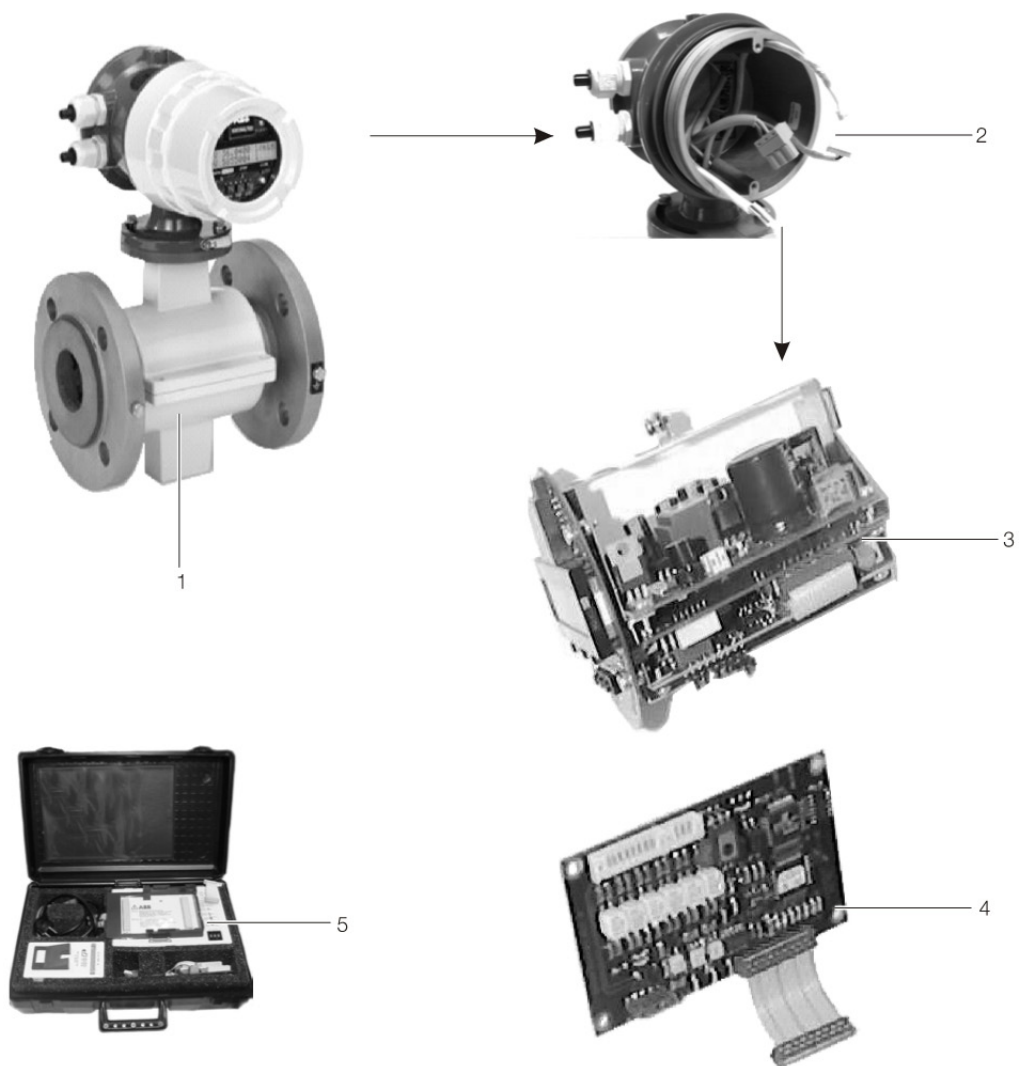


Fig. 2: Name plate for transmitter  
1 Variant

## 2 Overview



G11490

Fig. 3: Overview FXE4000-DE43F

1 Flowmeter | 2 Transmitter housing | 3 Transmitter plug-in unit | 4 Printed circuit board | 5 Primary Simulator

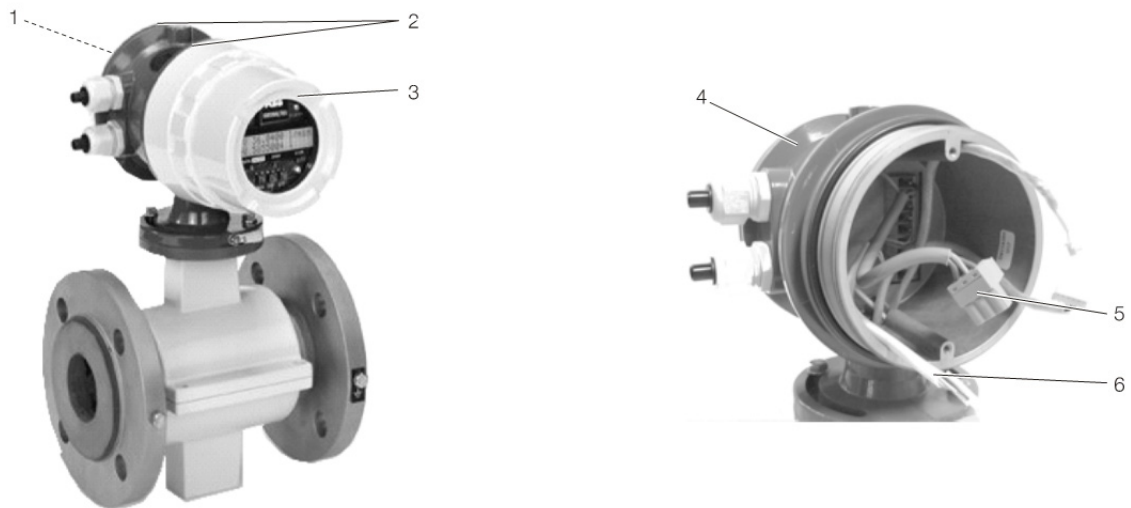


### IMPORTANT (NOTE)

For detailed information on ordering the transmitter plug-in unit and the sensor simulator please refer to the separate spare part lists.

---

### 3 Transmitter housing

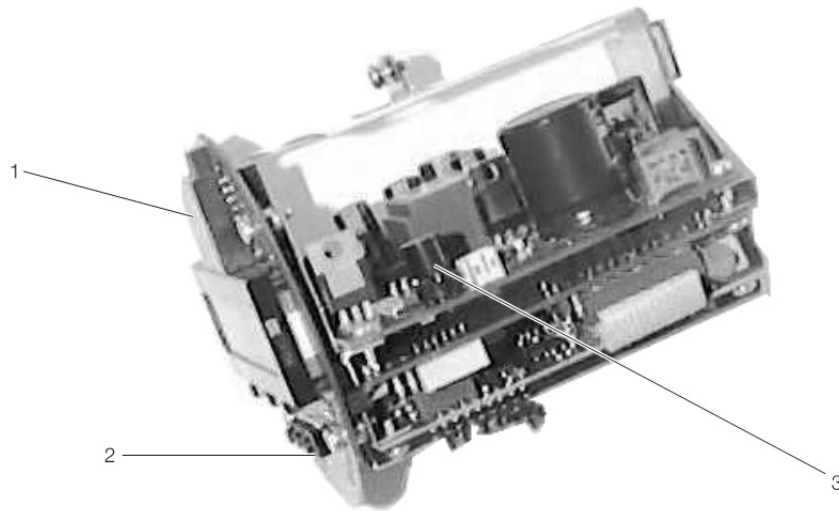


G11491

Fig. 4

Position	Name of part	Variant	Order number	Weight kg (lb)	Price (€)
1	Cover small	-	D379D134U02	0.2 (0.44)	
2	O-ring 100 x 3.5	-	D101A026U01	0.02 (0.04)	
3	Cover with window	-	D641A023U11	0.3 (0.66)	
4	Pre-assembled Housing M20 x 1,5	01 ... 04	D611A395U10	0.4 (0.88)	
		05	D611A394U18	0.4 (0.88)	
		06	D611A394U19	0.4 (0.88)	
		07	D611A394U20	0.4 (0.88)	
		08	D611A394U36	0.4 (0.88)	
		09	D611A394U40	0.4 (0.88)	
		10	D611A394U41	0.4 (0.88)	
		11,14	D611A394U42	0.4 (0.88)	
		12,15	D611A394U45	0.4 (0.88)	
		13,16	D611A394U48	0.4 (0.88)	
	Pre-assembled Housing NPT 1/2"	01 ... 04	D611A394U22	0.4 (0.88)	
		05	D611A394U23	0.4 (0.88)	
		06	D611A394U24	0.4 (0.88)	
		07	D611A394U25	0.4 (0.88)	
		08	D611A394U37	0.4 (0.88)	
		11,14	D611A394U43	0.4 (0.88)	
		12,15	D611A394U46	0.4 (0.88)	
5	Cable set with 2 lead-throughs	-	D677A293U04	0.075 (0.17)	
6	Cable set DE43	01 ... 04	D677A294U01	0.05 (0.11)	
		05	D677A294U04	0.05 (0.11)	
		06	D677A294U05	0.05 (0.11)	
		07	D677A294U06	0.05 (0.11)	

## 4 Transmitter plug-in unit



G11493

Fig. 5

Position	Name of part	Variant	Order number	Weight kg (lb)	Price (€)
1	Ext. EEPROM without primary data	-	D674A568U02	0.05 (0.11)	
	Ext. EEPROM with primary data (Serial number required)	-	D674A568U02A	0.05 (0.11)	
2	Display board without EEPROM	-	D685A1015U13	0.3 (0.66)	
3	Fuse (24 V, 1 A T)	-	D151B001U15	0.005 (0.011)	
	Fuse (85 ... 235 V; 0,5 A T)	-	D151B002U05	0.005 (0.011)	
	Fuse F103 (0,125 A)	-	D151F003U14	0.005 (0.011)	

## 5 Accessories

Position	Name of part	Order number	Weight kg (lb)	Price (€)
	Operating instructions (German)	D184B105U01	0,350 (0,8)	
	Operating instructions (English)	D184B105U02	0,350 (0,8)	
	Pen with magnet	D614K001U01	0,100 (0,2)	
	Datasheet (German)	D184S044U01	0,275 (0,6)	
	Data sheet (English)	D184S044U02	0,275 (0,6)	
	Upgrade kit to MAG	D800D513U01	1,100 (2,4)	
	Signal cable (price per meter)	D173D025U01	0,100 (0,2)	

## 6 Seals for welded spuds series FXE4000

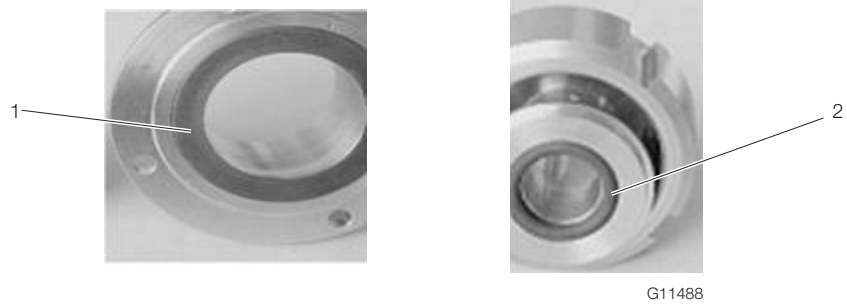


Fig. 6: Seals

### 6.1 Flat gaskets (new according to PED)

Position	Description	Nominal diameter	Order number	Weight kg (lb)	Price (€)
1	Flat gasket EPDM FDA approval	DN3 ... 10	D333B007U11		
	Flat gasket EPDM FDA 70 Shore-A	DN15	D333B008U11		
	Flat gasket EPDM FDA 70 Shore-A	DN20	D333B009U11		
	Flat gasket EPDM FDA 70 Shore-A	DN25	D333B010U11		
	Flat gasket EPDM FDA 70 Shore-A	DN32	D333B011U01		
	Flat gasket EPDM FDA 70 Shore-A	DN40	D333B012U11		
	Flat gasket EPDM FDA 70 Shore-A	DN50	D333B013U01		
	Flat gasket EPDM FDA 70 Shore-A	DN65	D333B014U11		
	Flat gasket EPDM FDA 70 Shore-A	DN80	D333B015U11		
	Flat gasket EPDM FDA 70 Shore-A	DN100	D333B016U11		

### 6.2 O-Ring seals (old)

Position	Description	Nominal diameter	Order number	Weight kg (lb)	Price (€)
2	O-Ring 21x3 Aeth-Prop. Shore-A 70		D101F001U01		
	O-Ring 29x3 Aeth-Prop. Shore-A 70		D101F002U01		
	O-Ring 33x3 Aeth-Prop. Shore-A 70		D101F003U01		
	O-Ring 10,77x2,62 EPDM (FDA approval)		D101F006U01		
	O-Ring .11.25x4,05 EPDM (FDA approval) 70-Shore-A	DN 3 ... 10	D101F007U01		
	O-Ring 14x4 EPDM (FDA approval) 70-Shore-A	DN 15	D101F008U01		
	O-Ring 19x4 EPDM (FDA approval) 70-Shore-A	DN 20	D101F009U01		
	O-Ring 25x5 EPDM (FDA approval) 70-Shore-A	DN 25	D101F010U01		
	O-Ring 31x5 EPDM (FDA approval) 70-Shore-A	DN 32	D101F011U01		
	O-Ring 37x5 EPDM (FDA approval) 70-Shore-A	DN 40	D101F012U01		
	O-Ring 48x5 EPDM (FDA approval) 70-Shore-A	DN 50	D101F013U01		
	O-Ring 63x5 EPDM (FDA approval) 70-Shore-A	DN 65	D101F014U01		
	O-Ring 75x5 EPDM (FDA approval) 70-Shore-A	DN 80	D101F015U01		
	O-Ring 97x5 EPDM (FDA approval) 70-Shore-A	DN 100	D101F016U01		
	O-Ring 17,17x1,78 EPDM Shore A-70		D101F042U01		
	O-Ring 28,24x2,62 EPDM Shore A-70		D101F043U01		
	O-Ring 59,92x3,53 EPDM Shore A-70		D101F044U01		

# Contact us

To find your local ABB branch, go to:  
[www.abb.com/contacts](http://www.abb.com/contacts)

Additional product information is  
available at:  
[www.abb.com](http://www.abb.com)

**ABB Automation GmbH**  
Service Instrumentation  
Dransfelder Str. 2  
37079 Göttingen  
Germany

## Note

We reserve the right to make technical changes and changes affecting content to this document at any time without prior notice.

Orders are subject to the agreed detailed terms and conditions. ABB cannot be held responsible for any errors or omissions in this document.

We reserve all rights to this document and its content, including images. This document must not be copied, shared with third parties, or its content (in whole or in part) used without the prior written permission of ABB.

Copyright© 2013 ABB  
All rights reserved

3KXF200002R4701

SPL/FXE4000-DE-43F-EN Rev. B 02.2013