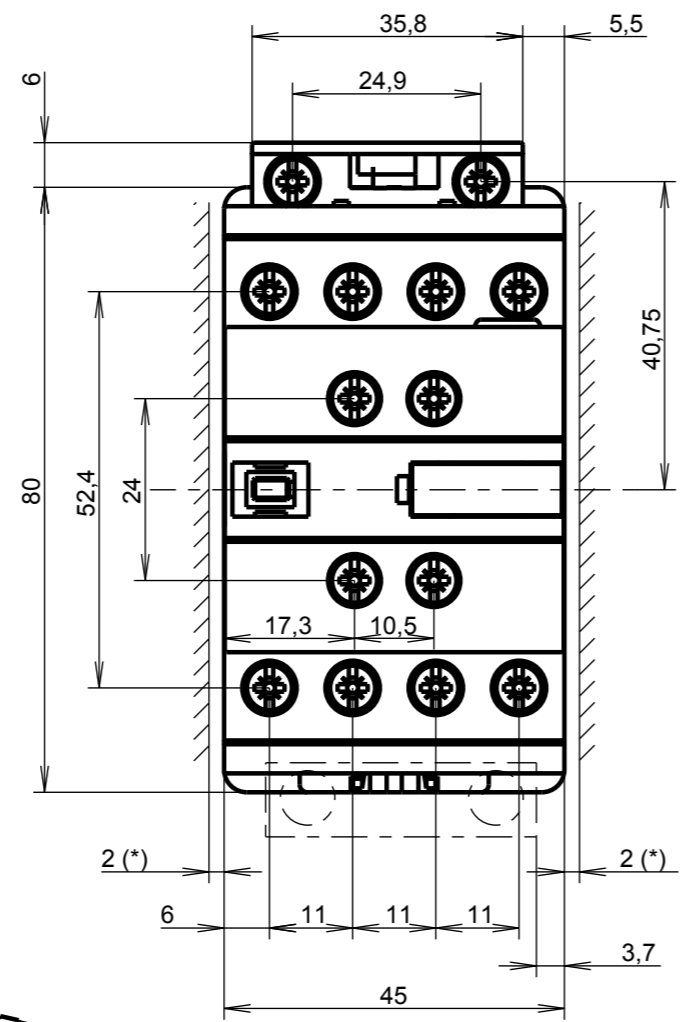
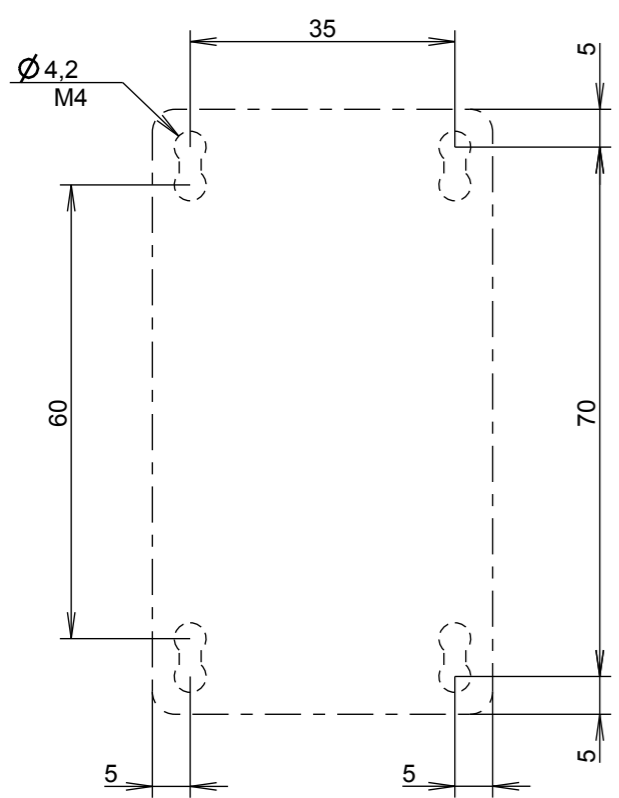


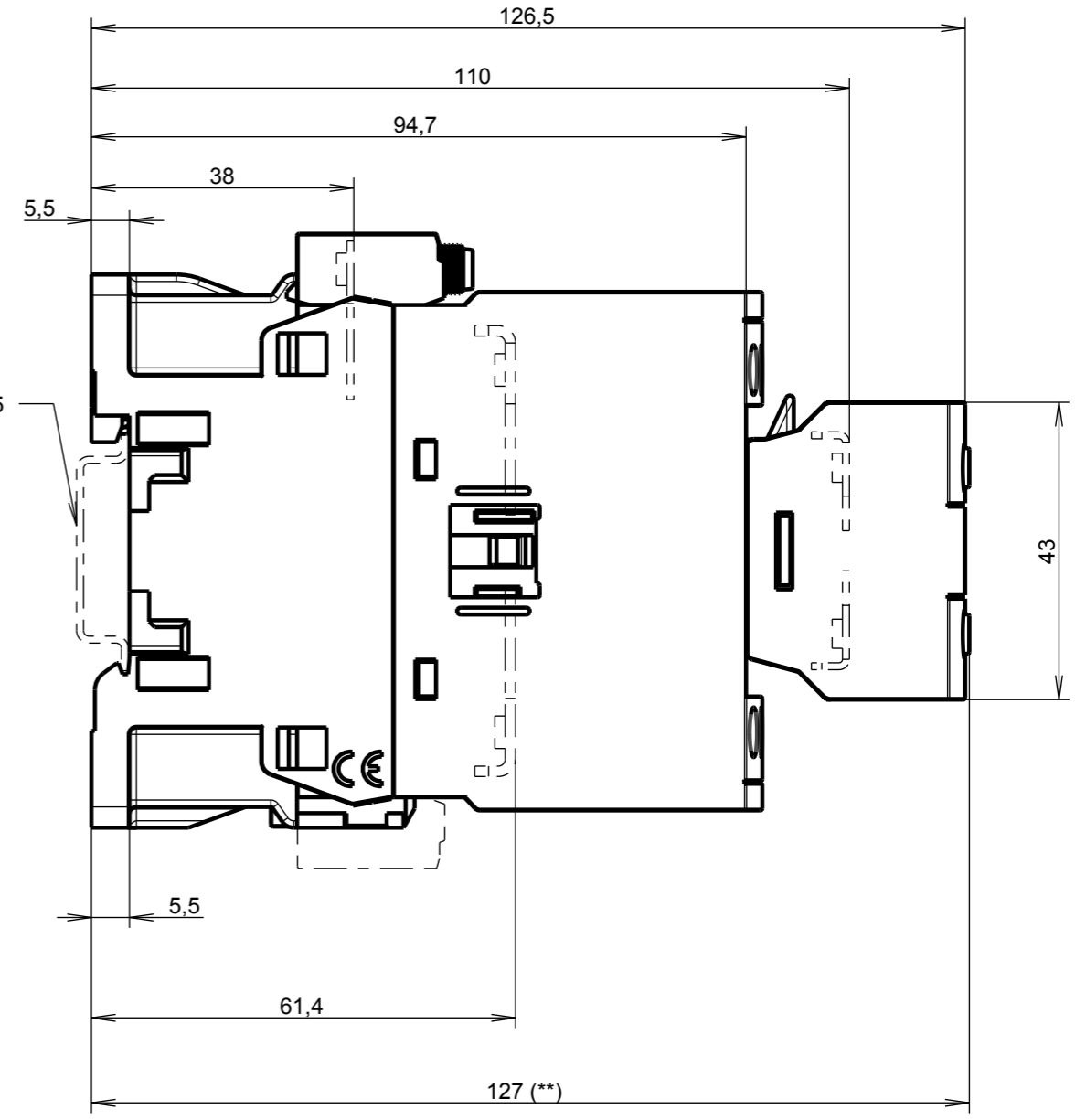
H G F E D C B A

4

4

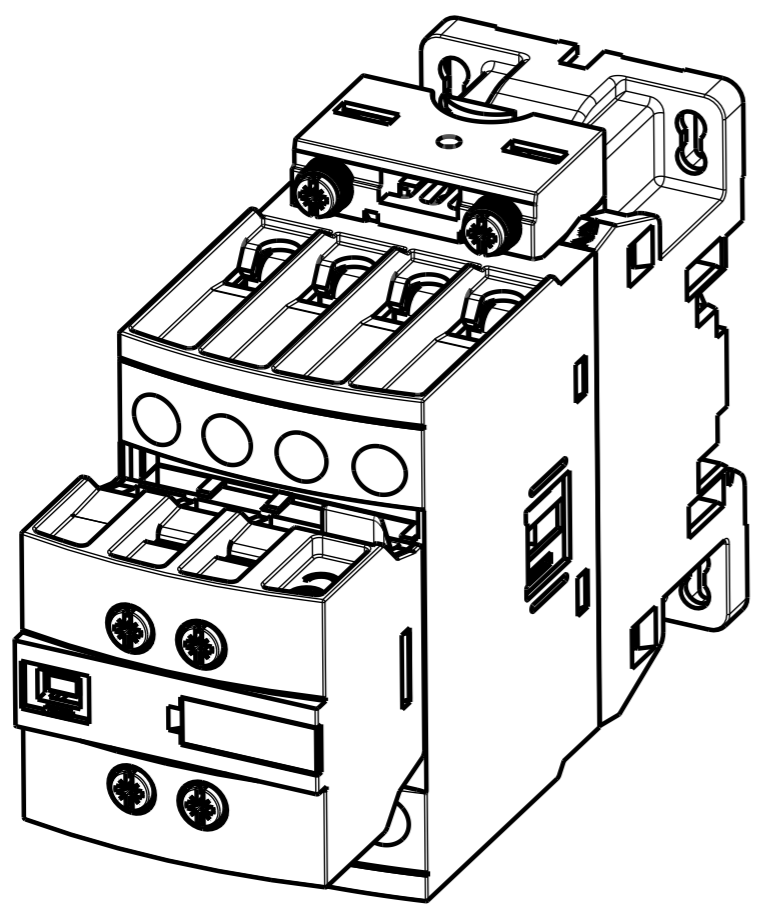


35mm EN/IEC 60715



3

3



2

2

(*) : minimum distance to grounded component
 (**) Head unscrewed

SQR Number: -					
A	Mise à jour cartouche	17/10/2012	ECN 501255	Eric Nguyen	Gérard Valendru
Modif	Description	DATE	N°ECN	Author	Control
ABB			Observations: -		
	Author Pacheco R	Creation 28/10/2011	Control Valendru G	First ECN ECN 501255	Scale 1:1
Title : 1-Stack 4-POLE AF26...38..RT + 2-POLE CA4..RT ENCOMBREMENT / DIMENSIONS+DRILLING				Running number	Doc Size Type N°Page Rev
				1SBB505090D3502	A

H G F E D C B A

1

1

The information contained in this document is to be kept strictly confidential. Any unauthorized use, reproduction, distribution or disclosure is strictly forbidden. ABB reserves all rights. © Copyright 2012 ABB. All rights reserved.