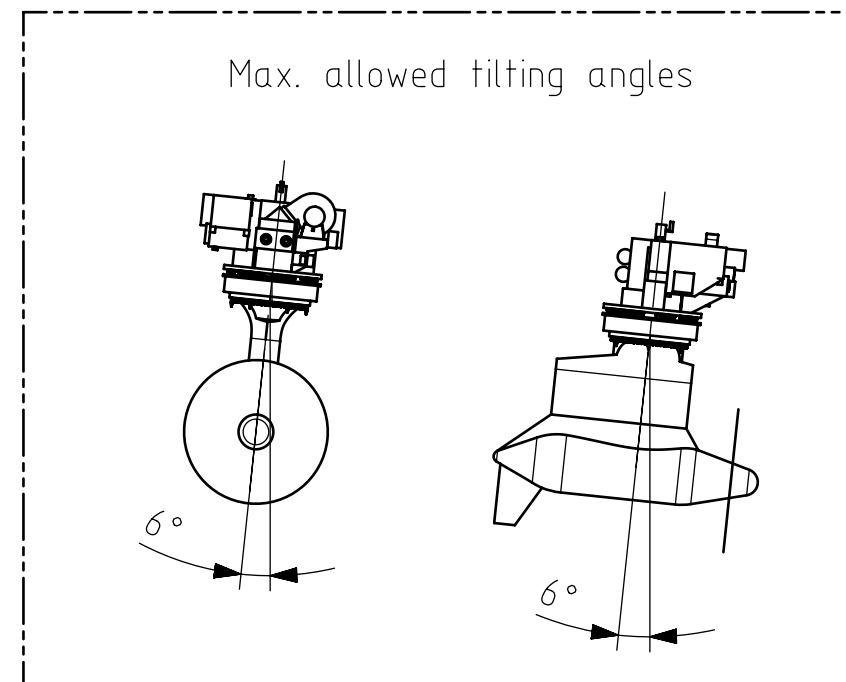
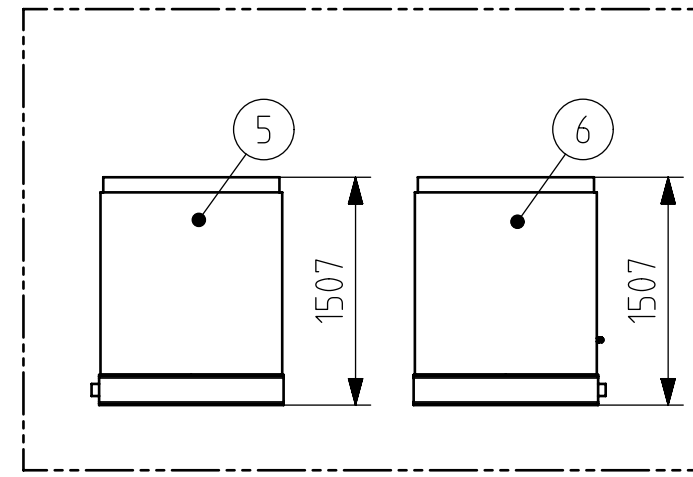
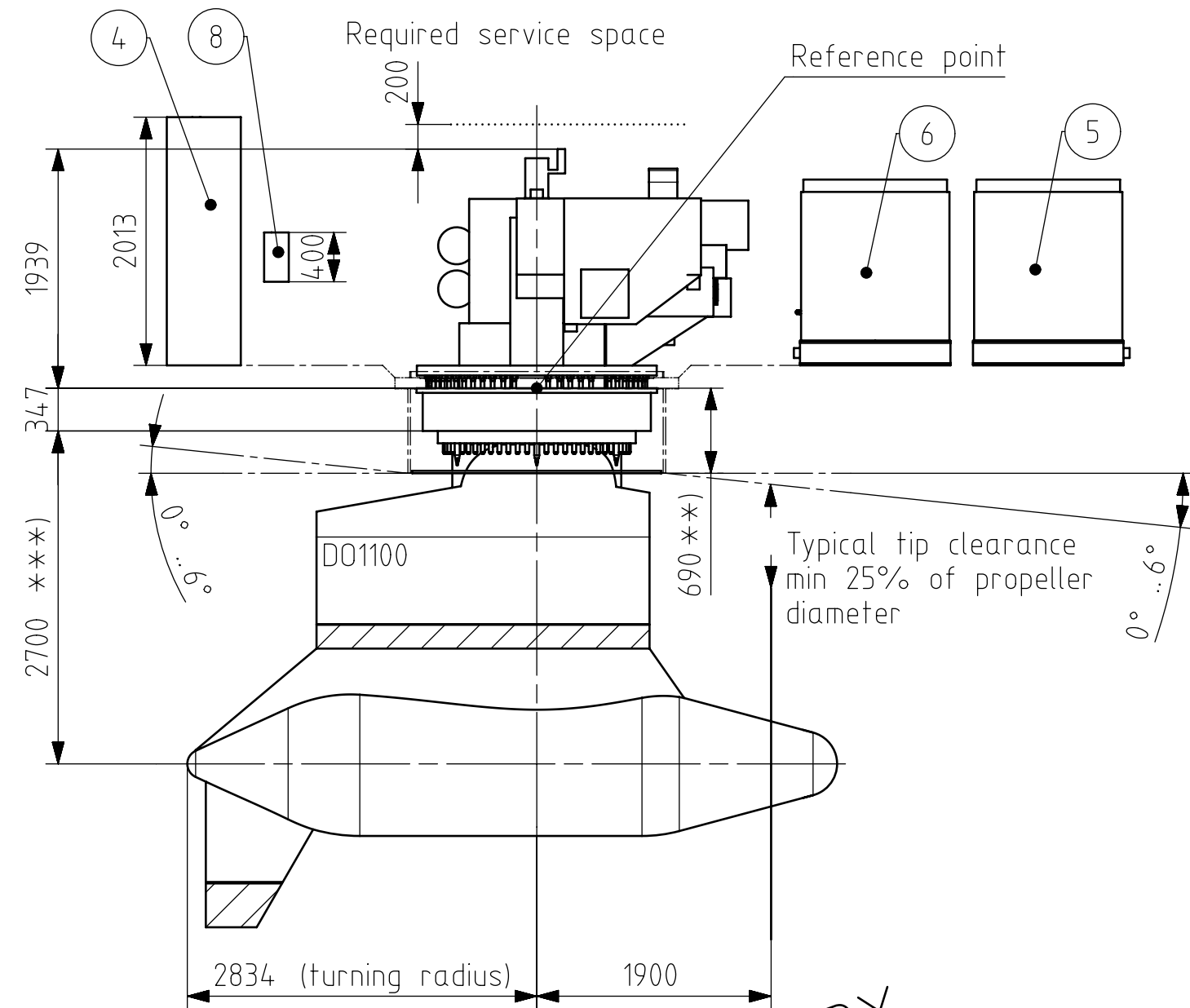


***) Consult Azipod Sales for other heights

****) Available Strut heights:
2200mm
2700mm
Consult Azipod Sales for other heights

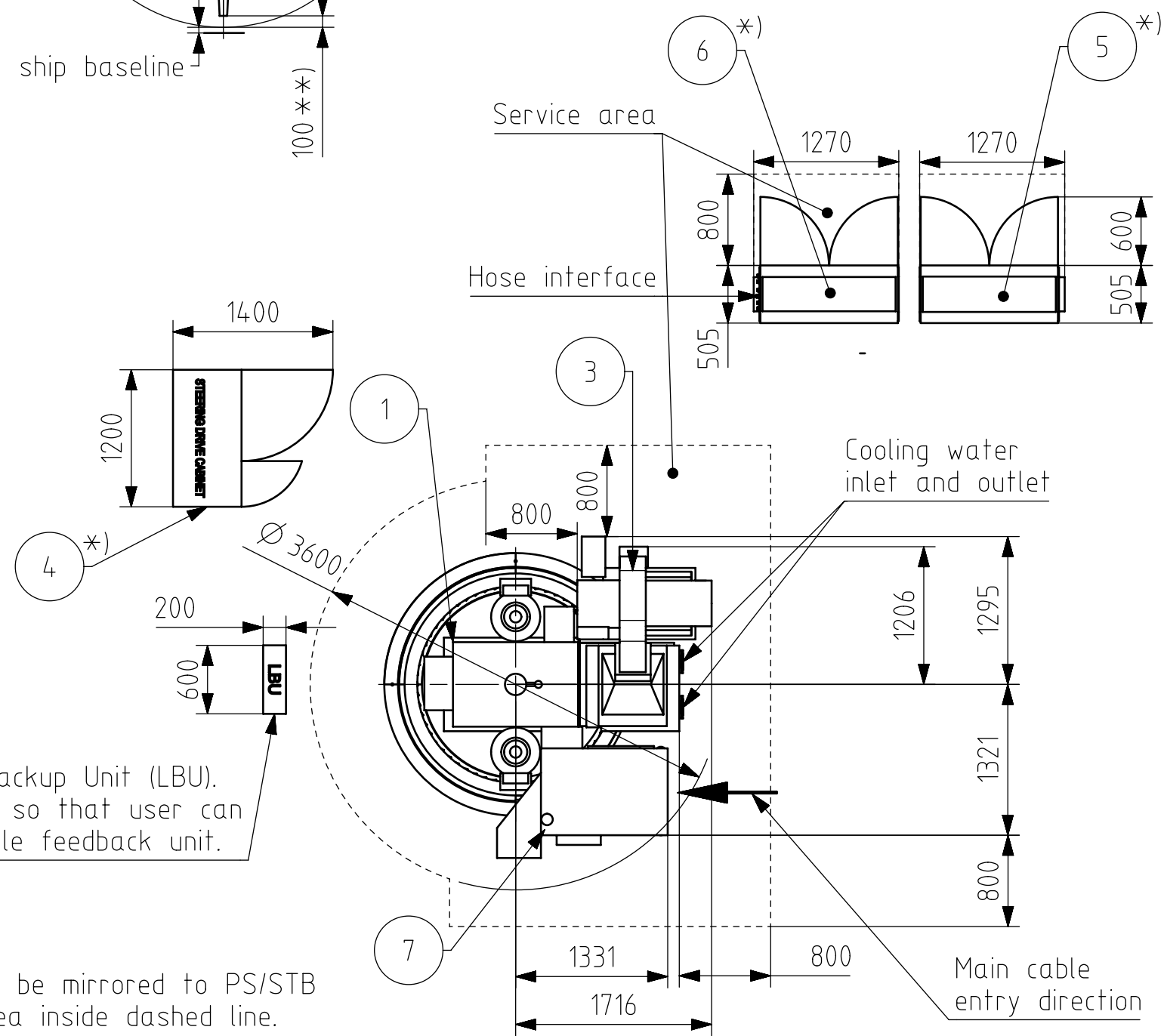


PRELIMINARY
Not to be used
for construction.

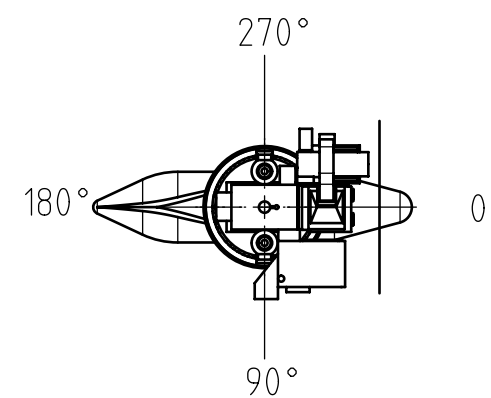
Project specific structure

| Number | Part | Weight [kg] |
|--------|--------------------------------|-------------|
| 1 | Steering module | 7100 |
| 2 | Propulsion module | 26000 |
| 3 | Cooling air unit (CAU) | 840 |
| 4 | Steering drive cabinet | 500 |
| 5 | Azipod interface unit (AIU) | 440 |
| 6 | Auxiliary device cabinet (ADC) | 460 |
| 7 | Junction box (JB1) | 560 |
| 8 | Local Backup Unit | 30 |

Minimum clearance to ship baseline
50



Mounting angle for steering module and CAU can be selected freely in 90° steps. 0° is standard.



BOW →

*) AIU and steering drive cabinets can be located freely inside Azipod room.
ADC cabinet can be located freely inside Azipod room as long as it is horizontally less than 5m from steering module and Max. vertical distance from shaftline to ADC cabinet is less than 6m.

Note! Layout not to be mirrored to PS/STB
Required service area inside dashed line.

| | | | | |
|----------------------------|--------------------|-------------------------------|--------------------------------------|----------------|
| Created 2019-08-06 | Partanen, Milla | Document kind 27 | Title MAIN DIMENSIONS | Scale 1:50 |
| Reviewed 2019-11-19 | Railo, Ville-Pekka | Responsible department VAX | | Language EN |
| Approved 2019-11-19 | Ruyck, Kasper De. | Based on | | Size A2 |
| Security level Internal | Our reference | Weight kg | Machine Type AZIPOD D01100P-S1600 | Revision A |
| ABB | | Marine & Ports | Document id 3AFV3502763 | Sheet 1/1 |

We reserve all rights in this document and in the information contained therein. Reproduction, use or disclosure for purposes other than those intended by ABB without express written permission is prohibited. In case of interpretation disputes the English text applies.

Unless otherwise stated:
General tolerances for welded constructions: EN ISO 9920-BF
General tolerances for cast parts: EN ISO 1876
General tolerances for stamped steel parts: DIN 6930-m, Thermal cut ISO 9013-331.

Unless otherwise stated:
General tolerances for machining: ISO 2768-mk
General tolerances for casting: ISO 1302
Symbols for roughness according to ISO 1302.