

NOTES:



DATE CODE NR AND AFTER

2. REMOVED



INCREASE PRESSURE WHICH OPENS VALVE



BLK WIRE NOT USED



JOIN WIRES USING BUTT SPLICE AS PROVIDED ON CONTROLAIR CONVERTER.



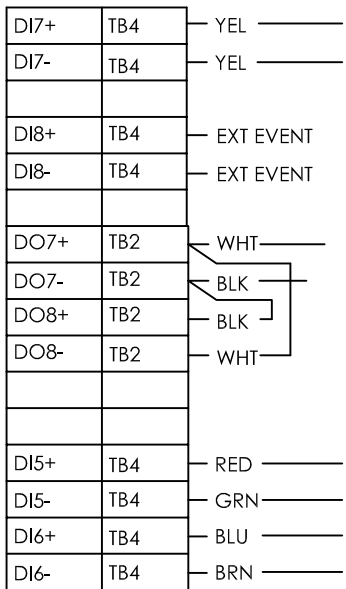
VCI TERM BD ASSY NOT APPLICABLE TO RTU/AIU

REVISIONS

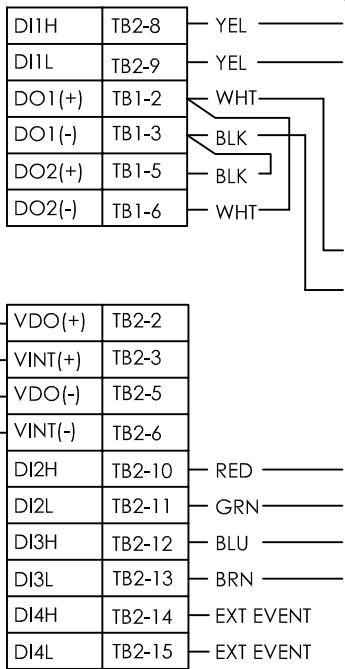
| REV | ACTION | DRAWN | CHECKED | APPROVED | DATE |
|-----|--------|---------|---------|----------|----------|
| AK | D12306 | KASTNER | KASTNER | HOLLAND | 01/11/14 |
| AL | D13254 | KASTNER | KASTNER | BUSHNELL | 02/05/23 |
| AM | D17289 | KASTNER | KASTNER | BUSHNELL | 05/07/06 |
| AN | D19245 | KASTNER | KASTNER | BUSHNELL | 06/09/21 |
| AJ | D11769 | KASTNER | KASTNER | HOLLAND | 01/08/13 |

| ASSEMBLY/QUANTITY | ITEM NO. | PART NUMBER | DESCRIPTION/MATERIAL | REFERENCE/ZONE DESIGNATOR | UNIT MEAS | | | | | | |
|-------------------------------|--|---|--------------------------------|---------------------------|-----------------------|-----------|--|--|---------------------------|----------------------------------|--|
| PARTS LIST | | | | | | | | | | | |
| <p>THIRD ANGLE PROJECTION</p> | <p>UNLESS OTHERWISE SPECIFIED DIMENSIONS ARE IN INCHES</p> <p>TOLERANCES ARE:</p> <table border="0"> <tr> <td>DECIMAL</td> <td>ANGULAR</td> </tr> <tr> <td>.XX ± --</td> <td>± --</td> </tr> <tr> <td>.XXX ± --</td> <td></td> </tr> </table> <p>BREAK ALL SHARP CORNERS AND EDGES DIMENSIONS APPLY BEFORE FINISH DO NOT SCALE DRAWING</p> | DECIMAL | ANGULAR | .XX ± -- | ± -- | .XXX ± -- | | <p>PRODUCT LINE TOTALFLOW[®]</p> | <p>LEVEL 3</p> | <p>TOTALFLOW Products</p> | |
| | | DECIMAL | ANGULAR | | | | | | | | |
| .XX ± -- | ± -- | | | | | | | | | | |
| .XXX ± -- | | | | | | | | | | | |
| <p>DESIGN HOLLAND</p> | <p>DATE 91/12/12</p> | <p>TITLE WIRING INTERCONNECT VALVE CONTROL WI</p> | | | | | | | | | |
| <p>DRAWN S. SMITH</p> | <p>CHECKED WIDENER</p> | <p>DATE 91/12/12</p> | <p>DATE 92-4-23</p> | <p>SCALE NONE</p> | <p>SEE B</p> | | | | | | |
| <p>APPROVED HOLLAND</p> | <p>DATE 92-4-23</p> | <p>DOC TYPE WI</p> | <p>DRAWING NO. 2012927</p> | <p>REV AN 1</p> | <p>SHEET OF 9</p> | | | | | | |

TERM BD ASSY-EXP I/O
 2012511-001
 2017220-001/002
 2017220-003/004

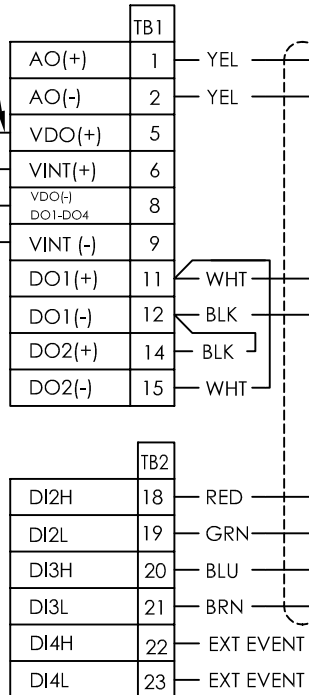


6
 TERM BD ASSY-VCI
 2012826-001
 2012826-002



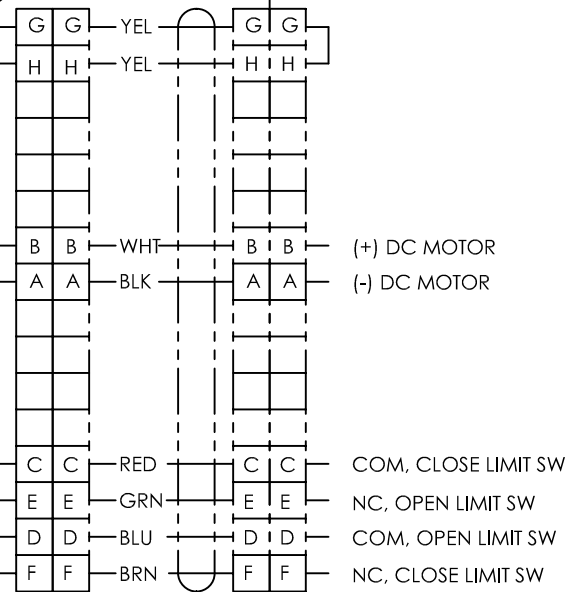
JUMPER
 1212006-702
 2 REQD

EXP TERM BD
 2010238-003



2011801-001

VALVE JAMESBURY

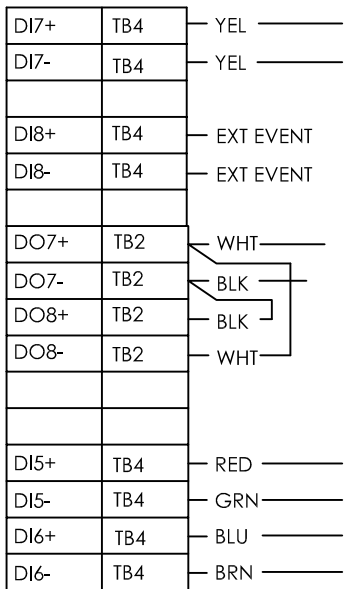


(+) DC MOTOR
 (-) DC MOTOR

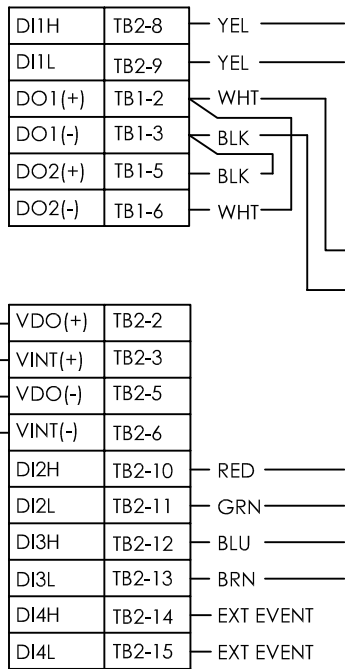
COM. CLOSE LIMIT SW
 NC, OPEN LIMIT SW
 COM. OPEN LIMIT SW
 NC, CLOSE LIMIT SW

JUMPER
 1212006-702
 2 REQD

TERM BD ASSY-EXP I/O
 2012511-001
 2017220-001/002
 2017220-003/004

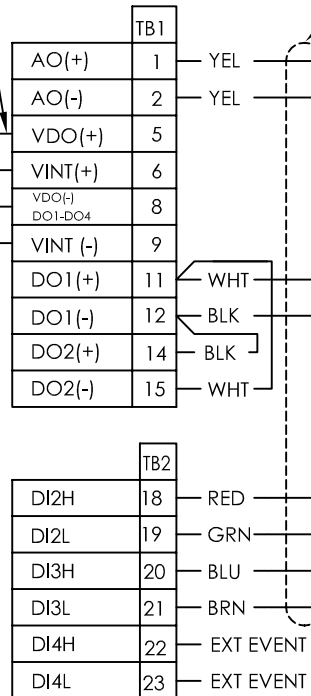


TERM BD ASSY-VCI
 2012826-001
 2012826-002



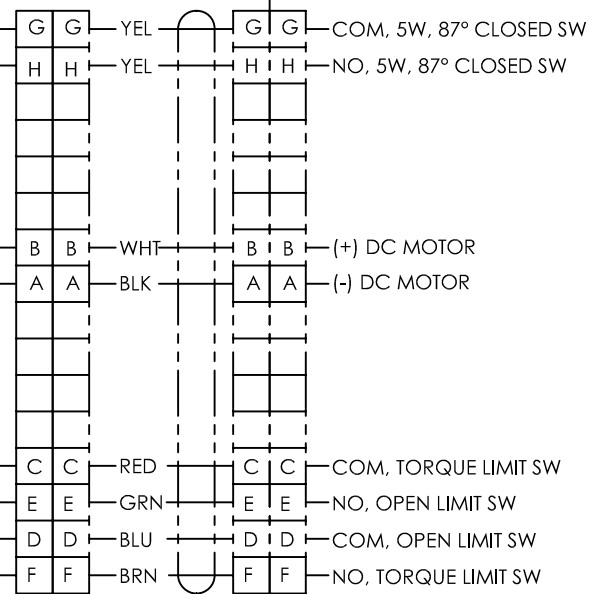
JUMPER
 1212006-702
 2 REQD

EXP TERM BD
 2010238-003



2011801-001/002

VALVE, LEDEEN



JUMPER
 1212006-702
 2 REQD

TERM BD ASSY-EXP I/O
 2012511-001
 2017220-001/002
 2017220-003/004

| | | |
|------|-----|-----------|
| DI7+ | TB4 | YEL |
| DI7- | TB4 | |
| DO7+ | TB2 | WHT |
| DO7- | TB2 | RED |
| DO8+ | TB2 | BLU |
| DO8- | TB2 | GRN |
| | | |
| DI8+ | TB4 | EXT EVENT |
| DI8- | TB4 | EXT EVENT |
| | | |
| GND | TB5 | BLK |
| | | |
| DI5+ | TB4 | BRN |
| DI5- | TB4 | VIO |
| DI6+ | TB4 | ORN |
| DI6- | TB4 | GRA |



TERM BD ASSY-VCI
 2012826-001
 2012826-002

| | | |
|--------|-------|-----|
| DI1H | TB2-8 | YEL |
| DI1L | TB2-9 | |
| DO1(+) | TB1-2 | WHT |
| DO1(-) | TB1-3 | RED |
| DO2(+) | TB1-5 | BLU |
| DO2(-) | TB1-6 | GRN |

| | | |
|---------|--------|-----------|
| VDO(+) | TB2-2 | |
| VINT(+) | TB2-3 | |
| VDO(-) | TB2-5 | |
| VINT(-) | TB2-6 | BLK |
| | | |
| DI2H | TB2-10 | BRN |
| DI2L | TB2-11 | VIO |
| DI3H | TB2-12 | ORN |
| DI3L | TB2-13 | GRA |
| DI4H | TB2-14 | EXT EVENT |
| DI4L | TB2-15 | EXT EVENT |

JUMPER
 1212006-702
 2 REQD

EXP TERM BOARD
 2010238-003

| | | | |
|---------------|-----|----|-----------|
| AO(+) | TB1 | 1 | YEL |
| AO(-) | TB1 | 2 | |
| DO1(+) | TB1 | 11 | WHT |
| DO1(-) | TB1 | 12 | RED |
| DO2(+) | TB1 | 14 | BLU |
| DO2(-) | TB1 | 15 | GRN |
| VDO+(D01-D04) | TB1 | 5 | |
| VINT(+) | TB1 | 6 | |
| VDO-(D01-D04) | TB1 | 8 | |
| VINT(-) | TB1 | 9 | BLK |
| | | | |
| DI2H | TB2 | 18 | BRN |
| DI2L | TB2 | 19 | VIO |
| DI3H | TB2 | 20 | ORN |
| DI3L | TB2 | 21 | GRA |
| DI4H | TB2 | 22 | EXT EVENT |
| DI4L | TB2 | 23 | EXT EVENT |

JUMPER
 1212006-702
 2 REQD

CONVERTER. M/P
 FAIRCHILD MODEL 2400
 2012881-002 REV NR OR >
 2012881-003 REV PA OR >



| | |
|-----|----------------------------|
| TB1 | |
| 5 | +12V |
| 4 | DECREASE |
| | |
| 3 | INCREASE |
| | |
| 6 | GROUND |
| | |
| | RELAY |
| | COM BOTTOM FULL OPEN (GRA) |
| | NO BOTTOM FULL OPEN (YEL) |
| | NO TOP FULL CLOSED (ORN) |
| | COM TOP FULL CLOSED (BRN) |



2012889-003

TERM BD ASSY-EXP I/O
 2012511-001
 2017220-001/002
 2017220-003/004

| | | |
|------|-----|-----------|
| DI7+ | TB4 | YEL |
| DI7- | TB4 | |
| DO7+ | TB2 | WHT |
| DO7- | TB2 | RED |
| DO8+ | TB2 | BLU |
| DO8- | TB2 | GRN |
| | | |
| DI8+ | TB4 | EXT EVENT |
| DI8- | TB4 | EXT EVENT |
| | | |
| GND | TB5 | BLK |
| | | |
| DI5+ | TB4 | BRN |
| DI5- | TB4 | VIO |
| DI6+ | TB4 | ORN |
| DI6- | TB4 | GRA |

6

TERM BD ASSY-VCI
 2012826-001
 2012826-002

| | | |
|--------|-------|-----|
| DI1H | TB2-8 | YEL |
| DI1L | TB2-9 | |
| DO1(+) | TB1-2 | WHT |
| DO1(-) | TB1-3 | RED |
| DO2(+) | TB1-5 | BLU |
| DO2(-) | TB1-6 | GRN |

| | | |
|---------|--------|-----------|
| VDO(+) | TB2-2 | |
| VINT(+) | TB2-3 | |
| VDO(-) | TB2-5 | |
| VINT(-) | TB2-6 | BLK |
| | | |
| DI2H | TB2-10 | BRN |
| DI2L | TB2-11 | VIO |
| DI3H | TB2-12 | ORN |
| DI3L | TB2-13 | GRA |
| DI4H | TB2-14 | EXT EVENT |
| DI4L | TB2-15 | EXT EVENT |

JUMPER
 1212006-702
 2 REQD

EXP TERM BOARD
 2010238-003

| | | | |
|---------------|-----|----|-----------|
| AO(+) | TB1 | 1 | YEL |
| AO(-) | TB1 | 2 | |
| DO1(+) | TB1 | 11 | WHT |
| DO1(-) | TB1 | 12 | RED |
| DO2(+) | TB1 | 14 | BLU |
| DO2(-) | TB1 | 15 | GRN |
| VDO+(D01-D04) | TB1 | 5 | |
| VINT(+) | TB1 | 6 | |
| VDO-(D01-D04) | TB1 | 8 | |
| VINT(-) | TB1 | 9 | BLK |
| | | | |
| DI2H | TB2 | 18 | BRN |
| DI2L | TB2 | 19 | VIO |
| DI3H | TB2 | 20 | ORN |
| DI3L | TB2 | 21 | GRA |
| DI4H | TB2 | 22 | EXT EVENT |
| DI4L | TB2 | 23 | EXT EVENT |

JUMPER
 1212006-702
 2 REQD

E TO P CONVERTER
 CONTROLAIR #529-839-014

| | | |
|---|-----|------------|
| | TB1 | |
| | | |
| 1 | | +12V (WHT) |
| 3 | | GND (RED) |
| | | |
| | | |

| | |
|----------|----------------------------|
| SWITCHES | |
| | COM BOTTOM FULL OPEN (ORN) |
| | NO BOTTOM FULL OPEN (ORN) |
| | NO TOP FULL CLOSED (YEL) |
| | COM TOP FULL CLOSED (YEL) |

2012889-003

PRESSURE TO CLOSE

TERM BD ASSY-EXP I/O
2012511-001
2017220-001/002
2017220-003/004

| | | |
|------|-----|-----------|
| DI7+ | TB4 | YEL |
| DI7- | TB4 | |
| DO7- | TB2 | WHT |
| DO7+ | TB2 | RED |
| DO8+ | TB2 | BLU |
| DO8- | TB2 | GRN |
| | | |
| DI8+ | TB4 | EXT EVENT |
| DI8- | TB4 | EXT EVENT |
| | | |
| GND | TB5 | BLK |
| | | |
| DI6+ | TB4 | BRN |
| DI6- | TB4 | VIO |
| DI5+ | TB4 | ORN |
| DI5- | TB4 | GRA |



TERM BD ASSY-VCI
2012826-001
2012826-002

| | | |
|--------|-------|-----|
| DI1H | TB2-8 | YEL |
| DI1L | TB2-9 | |
| DO1(-) | TB1-3 | WHT |
| DO1(+) | TB1-2 | RED |
| DO2(+) | TB1-5 | BLU |
| DO2(-) | TB1-6 | GRN |

| | | |
|---------|--------|-----------|
| VDO(+) | TB2-2 | |
| VINT(+) | TB2-3 | |
| VDO(-) | TB2-5 | |
| VINT(-) | TB2-6 | BLK |
| | | |
| DI3H | TB2-12 | BRN |
| DI3L | TB2-13 | VIO |
| DI2H | TB2-10 | ORN |
| DI2L | TB2-11 | GRA |
| DI4H | TB2-14 | EXT EVENT |
| DI4L | TB2-15 | EXT EVENT |

JUMPER
1212006-702
2 REQD

EXP TERM BOARD
2010238-003

| | | | |
|---------------|-----|----|-----------|
| AO(+) | TB1 | 1 | YEL |
| AO(-) | TB1 | 2 | |
| DO1(-) | TB1 | 12 | WHT |
| DO1(+) | TB1 | 11 | RED |
| DO2(+) | TB1 | 14 | BLU |
| DO2(-) | TB1 | 15 | GRN |
| VDO+(D01-D04) | TB1 | 5 | |
| VINT(+) | TB1 | 6 | |
| VDO-(D01-D04) | TB1 | 8 | |
| VINT(-) | TB1 | 9 | BLK |
| | | | |
| DI3H | TB2 | 20 | BRN |
| DI3L | TB2 | 21 | VIO |
| DI2H | TB2 | 18 | ORN |
| DI2L | TB2 | 19 | GRA |
| DI4H | TB2 | 22 | EXT EVENT |
| DI4L | TB2 | 23 | EXT EVENT |

JUMPER
1212006-702
2 REQD

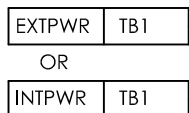
E TO P CONVERTER
CONTROLAIR #529-839-014

| | | |
|---|-----|------------|
| | TB1 | |
| | | |
| 1 | | +12V (WHT) |
| 3 | | GND (RED) |
| | | |
| | | |

| | |
|----------------------------|--|
| SWITCHES | |
| COM BOTTOM FULL OPEN (ORN) | |
| NO BOTTOM FULL OPEN (ORN) | |
| NO TOP FULL CLOSED (YEL) | |
| COM TOP FULL CLOSED (YEL) | |

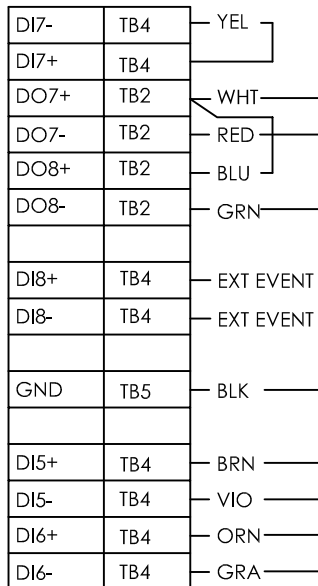
2012889-003

TERM BD ASSY-EXP I/O
 2012511-001
 2017220-001/002
 2017220-003/004

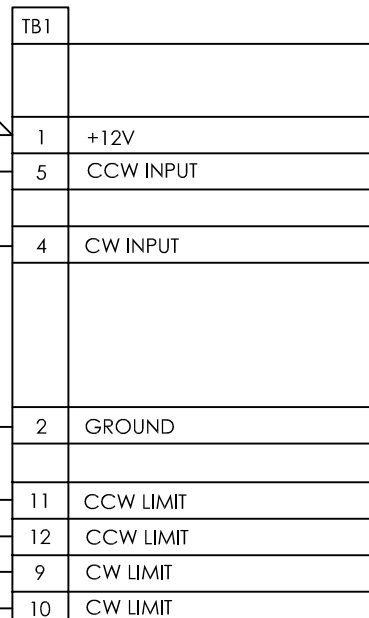


WHT ----- CONTINUOUS POWER

VALCON ACTUATOR



SWITCHED POWER



2012889-003

D15(-) OPEN LIMIT SWITCH
 D16(-) CLOSE LIMIT SWITCH
 D17(-) LOCAL LOCKOUT SWITCH
 DO7(-) PULLED LOW TO OPEN VALVE
 DO8(-) PULLED LOW TO CLOSE VALVE

6

TERM BD ASSY-VCI
2012826-001
2012826-002

| | | |
|--------|-------|-----|
| DI1H | TB2-8 | YEL |
| DI1L | TB2-9 | |
| DO1(+) | TB1-2 | WHT |
| DO1(-) | TB1-3 | RED |
| DO2(+) | TB1-5 | BLU |
| DO2(-) | TB1-6 | GRN |

| | | |
|---------|--------|-----------|
| VDO(+) | TB2-2 | |
| VINT(+) | TB2-3 | |
| VDO(-) | TB2-5 | |
| VINT(-) | TB2-6 | BLK |
| DI2H | TB2-10 | BRN |
| DI2L | TB2-11 | VIO |
| DI3H | TB2-12 | ORN |
| DI3L | TB2-13 | GRA |
| DI4H | TB2-14 | EXT EVENT |
| DI4L | TB2-15 | EXT EVENT |

JUMPER
1212006-702
2 REQD

TERM BD ASSY-EXP I/O
2012511-001
2017220-001/002
2017220-003/004

EXTPWR
OR
INTPWR

WHT ----- CONTINUOUS POWER -----

SWITCHED POWER -----

| | | |
|------|-----|-----------|
| DI7+ | TB4 | YEL |
| DI7- | TB4 | |
| DO7+ | TB2 | WHT |
| DO7- | TB2 | RED |
| DO8+ | TB2 | BLU |
| DO8- | TB2 | GRN |
| DI8+ | TB4 | EXT EVENT |
| DI8- | TB4 | EXT EVENT |
| GND | TB5 | BLK |
| DI5+ | TB4 | BRN |
| DI5- | TB4 | VIO |
| DI6+ | TB4 | ORN |
| DI6- | TB4 | GRA |

WORCHESTER ACTUATOR

| TB1 | |
|-----|-----------|
| 2 | +12V |
| 12 | CCW INPUT |
| 11 | CW INPUT |
| 1 | GROUND |
| 5 | CCW LIMIT |
| 6 | CCW LIMIT |
| 4 | CW LIMIT |
| 3 | CW LIMIT |

2012889-003

D15(-) OPEN LIMIT SWITCH
D16(-) CLOSE LIMIT SWITCH
D17(-) LOCAL LOCKOUT SWITCH
DO7(-) PULLED LOW TO OPEN VALVE
DO8(-) PULLED LOW TO CLOSE VALVE

| | | | | | |
|-------|-----|----------|-------------|-----|-------|
| SCALE | SEE | DOC TYPE | DRAWING NO. | REV | SHEET |
| NONE | B | WI | 2012927 | AN | 9 OF |