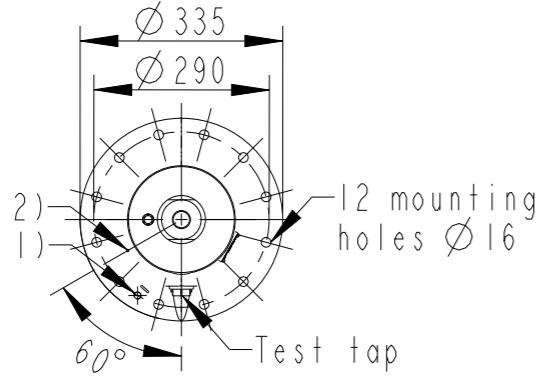
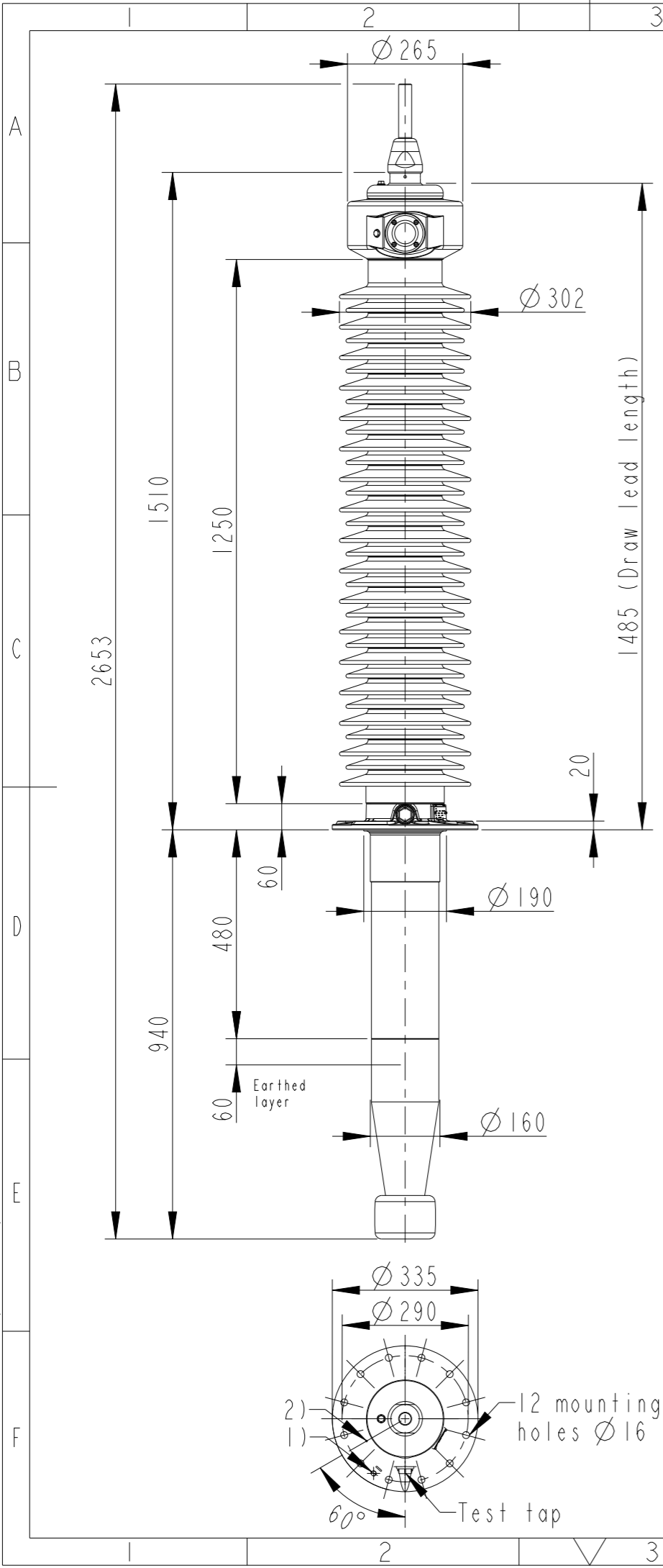
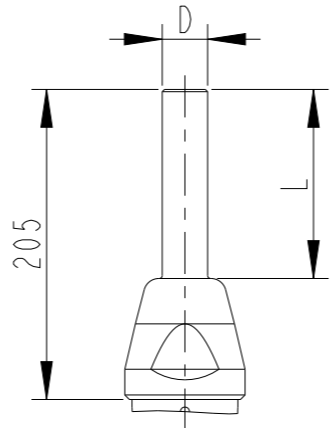


This document is issued by means of a computerized system. The digitally stored original is electronically approved. The approved document has a date entered in the "Approved"-field. A manual signature is not required.

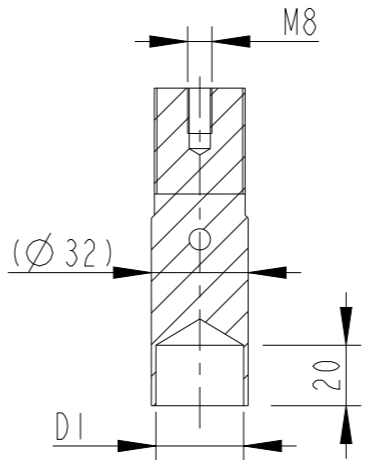
We reserve all rights in this document and in the information contained therein. Reproduction, use or disclosure to third parties without express authority is strictly forbidden.



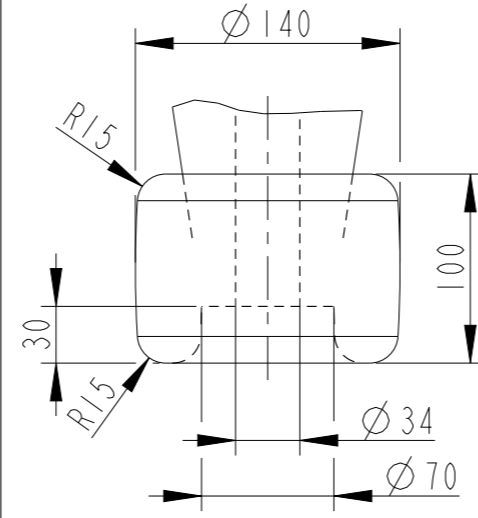
OUTER TERMINAL



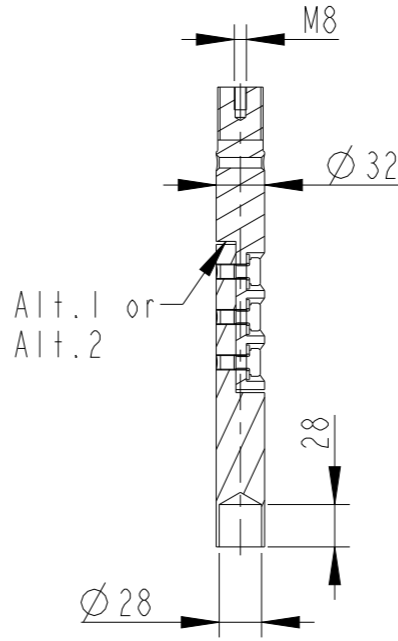
INNER TERMINAL FOR STRANDED CABLE



END SHIELD



SOLID ROD CONNECTOR



The solid rod can be divided either:
 Alt.1: 20mm below the bushing flange or
 Alt.2: 20mm below the upper end of the bottom porcelain

- 1) M12 (For Earthing)
- 2) Ø 4 Oil connection hole (only valid for horizontal mounting)

ABB		Ludvika, Sweden	
No.			
Um	kV Ir	A	50/60 Hz
BIL	kV SIL	kV AC	kV
M	kg L	mm	✓
C1	pF Tan δ	x	
C2	pF Tan δ	x	

Created by Jacob Stefansson	Reviewed by Joakim Persson	Approved by Natalia Gutman		
Approved 2019-11-06	Document Kind Outline Drawing	Based on doc.id	Work order id	Project id
Company ABB Technology Ltd	Title, Supplementary title GOB 650-1250-0.5 WITH OIL LEVEL GAUGE STD END SHIELD			
Responsible Department SEABB-9AAE300824	Document id 2751369-221	Status Released	Revision D	Iteration 1/1

Revision	Revision text
D	Phase to Ground Voltage changed from 145 to 98kV

Bushing Data:

Rated Voltage	170	kV
Phase to Ground Voltage	Δ 98	kV
Dry Lightning Impulse 1,2/50µs	650	kV
Wet power frequency AC	275	kV
Routine test Imin dry 50Hz	310	kV
Rated Current	1250	A
Creepage Distance	4600±110	mm
Creepage Distance Protected	1980	mm
Mass	146	kg

Ordering Data:

BUSHING	COLOUR	AIR INSULATOR
LF123194-K		BROWN
LF123194-L		LIGHT GREY
LF123194-HK		BROWN Horizontal 45°-90°
LF123194-HL		LIGHT GREY Horizontal 45°-90°
OUTER TERMINAL	Material	D L
LF 170 002-B		Cu alloy, Ø 30,125
LF 170 001-B		Al, Ø 30,125
OTHER TYPES ON REQUEST		
INNER TERMINAL FOR STRANDED CABLE		
For brazing	Conductor area	Dl
LF 170 011-T		up to 285mm² Ø 29
LF 170 011-V		Undrilled with pilot hole Ø 5
SOLID ROD CONNECTOR	Material	
LF 170 052 -AG	for Alt.1	Cu
LF 170 052 -AH	for Alt.2	Cu