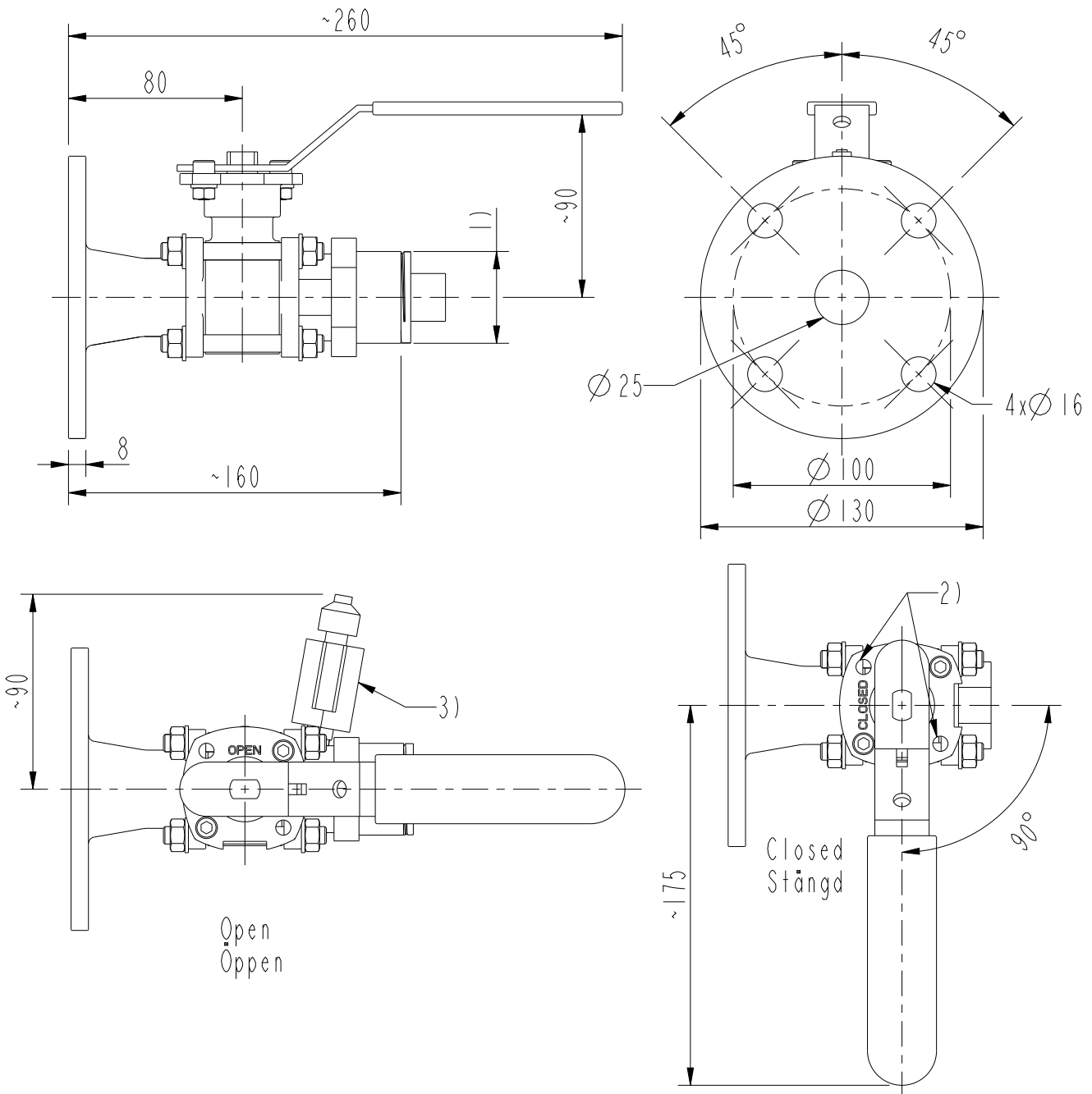


This document is issued by means of a computerized system.  
The digitally stored original is electronically approved. The  
approved document has a date entered in the 'Approved'-field.  
A manual signature is not required.



1) Inside thread NPT 1 1/2" or outside thread G 1" or outside thread G 1 1/2"  
Invändig gänga NPT 1 1/2" eller utvändig gänga G 1" eller utvändig gänga G 1 1/2"

2)  $\varnothing 7$  for padlock  
 $\varnothing 7$  för hänglås

3) Optional test valve for NPT 1 1/2"  
Valfritt provaventil för NPT 1 1/2"

Date / Approved  
2015-04-13

Responsible department  
PPCO/TK

Document Kind  
DIMENSION DRAWING



Title  
BALL VALVE G1", G 1 1/2" & NPT 1 1/2"  
KULVENTIL G1", G 1 1/2" & NPT 1 1/2"

Document Id.  
54920083-14

Revision  
A

Language  
82

Sheet  
1/1