

**Issue** 07/25/2018

**Date:**

**Page:** 1 of 2

**File:** PSS-K676CH-HP

15/25kV	<b>900A Deadbreak Separable "H" Joint</b>	w/ Test Point	K676CH-HP
---------	---	---------------	-----------



## Features:

- 15/25kV, 900A Deadbreak rated separable connector
- Design with Compression or Shear bolt connectors
- Fully shielded, fully submersible, 100% peroxide cured EPDM molded rubber and electrolytic Copper
- Reusable components reduce inventory and other costs
- Includes integral capacitive test point
- Housing and bus only

## K676CH-HP Deadbreak Separable "H" Joint Applications:

Elastimold® separable cable joints are modular kits: 2-way, 3-way or 4-way insulated bus bars and retractable straight receptacle housings. The K676CH-HP Separable "H" joint is based on the 4-way bus bar. The cables are bolted via compression lug or shear bolt connectors to the bar. The straight receptacle house slides over the connections to form a fully shielded, fully submersible 4-way disconnectable cable joint. The K676CH-HP cable joint is used to join cables in a disconnectable 4-way joint. It is compact size and ideal for small vaults and manholes application. K676CH-HP is a modular kit with housing and bus only. The kit is ideal where separable components are required to accommodate future system circuit changes or expansions. It can also be used initially as 4-way joint with insulated caps on the unused interfaces. The K676CH-HP can also be used in direct -buried applications.

## Ratings:

Meets ANSI/IEEE Standard 386, Latest Revision

### For 15kV Voltage Class:

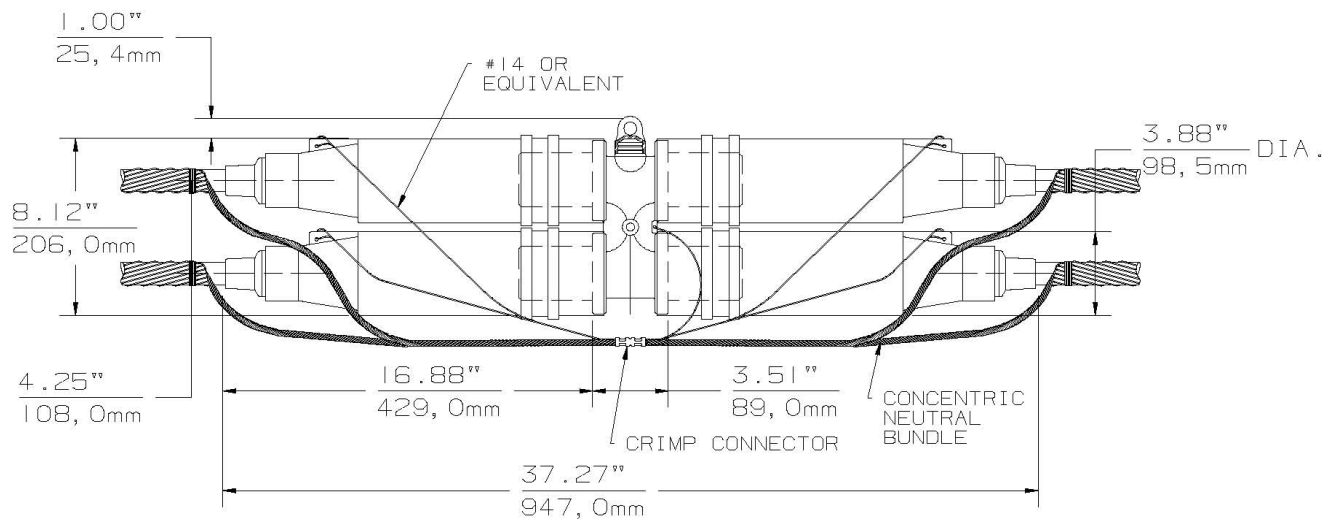
8.3kV Max Phase-to-Ground – Operating Voltage  
 14.4kV Max Phase-to-Phase  
 95kV BIL – Impulse Withstand (1.2 x 50 microsecond wave)  
 34kV AC – One minute withstand  
 53kV DC – 15 minutes withstand  
 11kV AC – Corona Extinction @ 3pC sensitivity  
**900 Amp – Continuous**  
 25kA Sym – 10 Cycles Momentary

### For 25kV Voltage Class:

16.2kV Max Phase-to-Ground – Operating Voltage  
 28kV Max Phase-to-Phase  
 140kV BIL – Impulse Withstand (1.2 x 50 microsecond wave)  
 45kV AC – One minute withstand  
 84kV DC – 15 minutes withstand  
 21kV AC – Corona Extinction @ 3pC sensitivity  
**900 Amp – Continuous**  
 25kA Sym – 10 Cycles Momentary

**Issue:** 07/25/2018  
**Date:**  
**Page:** 2 of 2  
**File:** PSS-K676CH-HP

15/25kV	<b>900A Deadbreak Separable "H" Joint</b>	w/ Test Point	K676CH-HP
---------	---	---------------	-----------



**Note.** Drawing is a reference only, does not include cable adapters and lugs, just housing and bus.

**Contents:**

1	4-Way Bus Bar	K676CH- BUS
2	Si-Lubricant	82-08
1	Installation Instruction	IS-1074
4	Straight receptacle	K655YSR
4	Bolts and Washers	675BAW