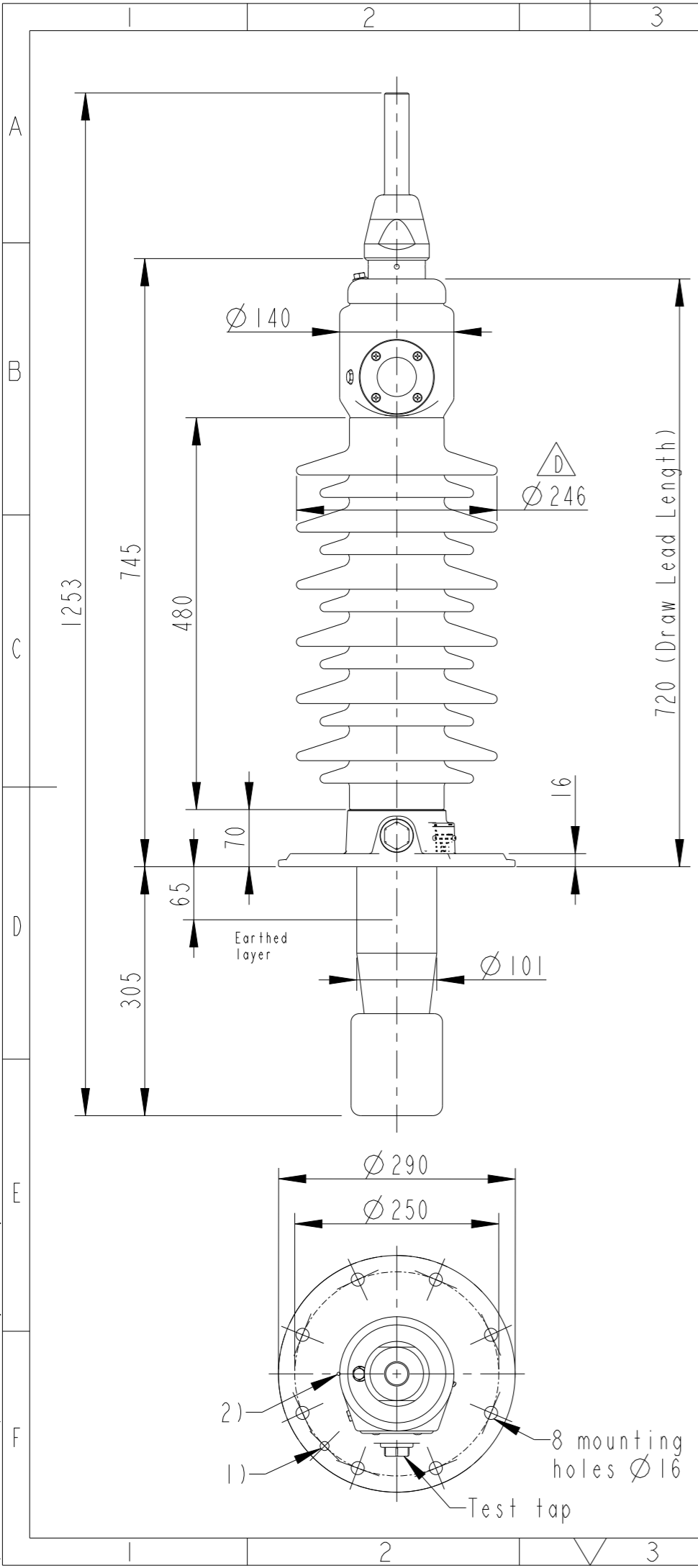
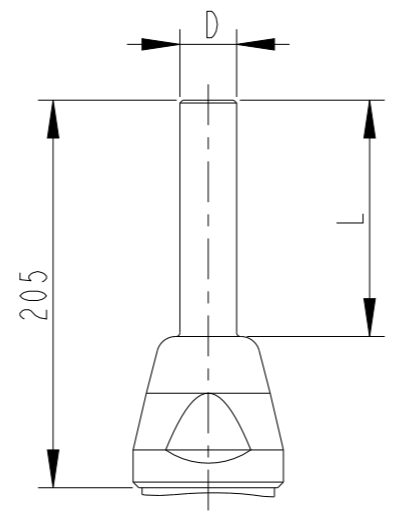


This document is issued by means of a computerized system. The digitally stored original is electronically approved. The approved document has a date entered in the "Approved"-field. A manual signature is not required.

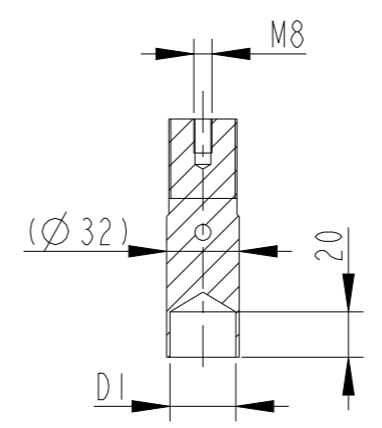
We reserve all rights in this document and in the information contained therein. Reproduction, use or disclosure to third parties without express authority is strictly forbidden.



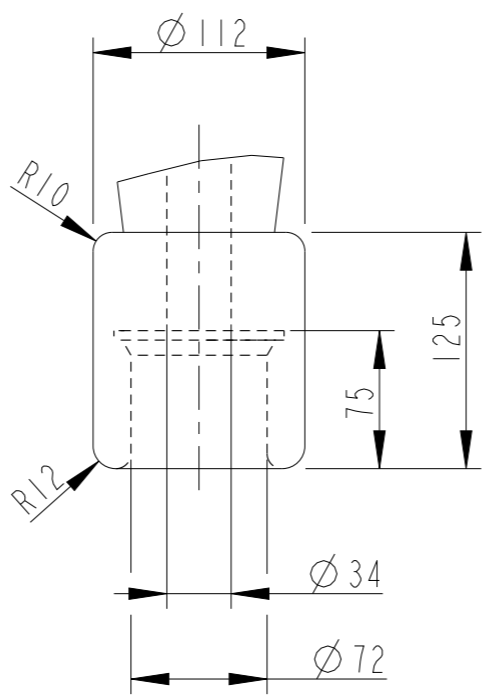
OUTER TERMINAL



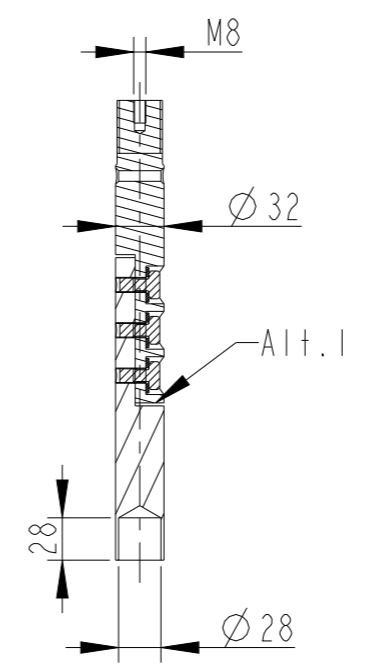
INNER TERMINAL FOR STRANDED CABLE



END SHIELD



SOLID ROD CONNECTOR



The solid rod can be divided either:
Alt.1: 20mm below the bushing flange

Revision	Revision text
D	Bushing, Ordering data & Dims updated.

Bushing Data:

Rated Voltage	52	kV
Phase-to-Earth Voltage	Δ 30	kV
Dry Lightning Impulse 1,2/50 μ s	250	kV
Wet power frequency AC	105	kV
Routine test Imin dry 50Hz	120	kV
Rated Current	1250	A
Creepage Distance	1500 \pm 50	mm
Creepage Distance Protected	580	mm
Mass	Δ 34	kg

Ordering Data:

BUSHING	COLOUR AIR INSULATOR
LF123167-M	BROWN
LF123167-N	LIGHT GREY
LF123167-HM Δ	BROWN Horizontal 45°-90°
LF123167-HN Δ	LIGHT GREY Horizontal 45°-90°
OUTER TERMINAL	Material D L
LF 170 002-B	Cu Alloy Δ 30 125
LF 170 001-B	Al Δ 30 125
OTHER TYPES ON REQUEST	
INNER TERMINAL FOR STRANDED CABLE	
For brazing	Conductor area D1
LF 170 011-T	up to 285mm ² Δ 29
LF 170 011-V	Undrilled with pilot hole Δ 5
SOLID ROD CONNECTOR	Material
LF 170 052 -BC for Alt.1	Cu

- Δ 1) M12 (For Earthing)
- Δ 2) Δ 4 Oil connection hole (only valid for horizontal mounting)

ABB		Ludvika, Sweden	
No.	Um	kV Ir	A 50/60 Hz
Δ	BIL	kV SIL	kV AC kV
M	kg L	mm	°
C1	pF	Tan δ	x
C2	pF	Tan δ	x

Approved 2021-09-22	Document Kind Assembly Drawing	Based on doc.id	Work order id	Project id
Company ABB Technology Ltd	Title, Supplementary title GOB 250-1250			
Responsible Department SEABB-9AAE300824	With oil level gauge. Long end shield.			
ABB	Document id 2751369-176	Status Released	Revision D	Iteration 1/1

