
 TECHNICAL DATA SHEET

ABB cable glands – C2 series

Ex d e non-armoured cable glands



ATEX/IECEX metallic cable glands for circular non-armoured cable with multiple range seal configurations

Certifications / Standards:


ATEX: IMQ14ATEX013X
 IECEX: IECEX IMQ 14.0005X
 EACEx: RU C-GB.AA87.B.00198
 CNEx: CNEx15.1696X
 DNV: TAE00000Y3
 UL: E477121

Features & Benefits:

- Multi-part seals for wide clamping range
- Deluge proof
- Good corrosion resistance
- Available as a kit, complete with locknut, earth tag, sealing washer and shroud

Applications:

- Suitable for Ex d Ex e and Ex tb applications
- Also suitable for use in Ex i, Ex p and Ex nR applications in accordance with EN/IEC 60079-14
- Gas zones 1, 2 and dust zones 21, 22
- Control panels and junction boxes
- Light fixture and housings
- Machine building
- Heat tracing
- Suitable for cable types:
 - Circular non-armoured cable

Material:

- Nickel plated brass or stainless steel 316L
- Chloroprene seals or silicone seals

Environmental ratings:
Working Temperature:

- Normal use: -40°C to +100°C (-40°F to 212°F)

Ingress protection:

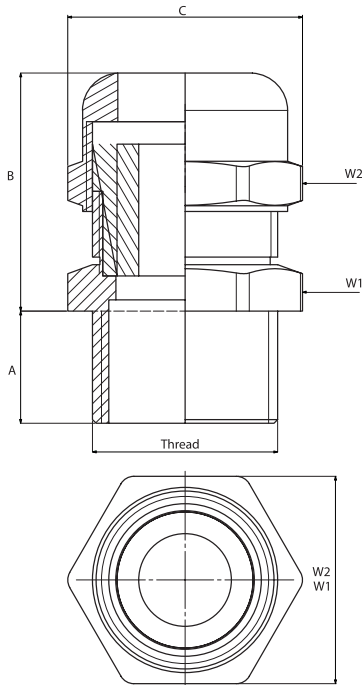
- IP66
- IP68 (5 bar 30 mins)

Chemical resistance guide:

- See publication TDS000081

Conforms to:

- EN/IEC: 60079-0, 60079-1, 60079-7, 60079-34, 62444
- UL514B, UL2225
- Ex II 2 GD
- Ex e IIC Gb
- Ex tb IIIC Db
- Class 1 Zone 1 AEx e IIC
- ATEX Directive: 2014/34/EU
- RoHS (Restriction of Hazardous Substances Directive) 2011/65/EU Incorporating 2015/863 amendment to Annex II
- WEEE (Waste Electrical & Electronic Equipment Directive) 2002/96/EC
- LVD (Low Voltage Directive) 2014/35/EU



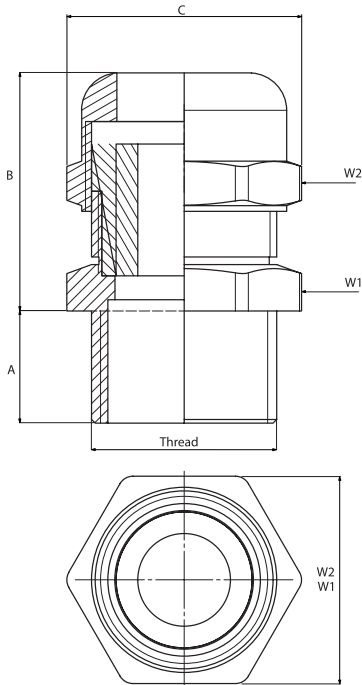
Product selection									
Part no:	Standard size (metric)	Cable range Ø			Nominal dimensions				
		Inner Min. (mm/in)	Outer Min. (mm/in)	A	B	C	W1	W2	
EXN03MMC2	M16x1.5	4.0	12.0	16.0	31.0	24.0	22.0	22.0	
		0.157	0.472	0.63	1.22	0.945	0.866	0.866	
EXN04MSC2	M20x1.5	3.0	9.0	16.0	27.0	24.0	22.0	20.0	
		0.118	0.354	0.63	1.063	0.945	0.866	0.787	
EXN04MMC2	M20x1.5	4.0	12.0	16.0	27.0	24.0	22.0	22.0	
		0.157	0.472	0.63	1.063	0.945	0.866	0.866	
EXN04MLC2	M20x1.5	10.0	16.0	16.0	30.0	31.0	28.0	28.0	
		0.394	0.63	0.63	1.181	1.22	1.102	1.102	
EXN05MMC2	M25x1.5	10.0	18.0	16.0	30.5	31.0	28.0	28.0	
		0.394	0.709	0.63	1.201	1.22	1.102	1.102	
EXN05MLC2	M25x1.5	14.0	20.0	16.0	34.0	39.0	35.0	35.0	
		0.551	0.787	0.63	1.339	1.535	1.378	1.378	
EXN06MMC2	M32x1.5	14.0	24.0	16.0	33.0	39.0	35.0	35.0	
		0.551	0.945	0.63	1.299	1.535	1.378	1.378	
EXN06MLC2	M32x1.5	22.0	28.0	16.0	41.0	50.0	45.0	45.0	
		0.866	1.102	0.63	1.614	1.969	1.772	1.772	
EXN07MMC2	M40x1.5	22.0	32.0	18.0	41.0	50.0	45.0	45.0	
		0.866	1.26	0.709	1.614	1.969	1.772	1.772	
EXN07MLC2	M40x1.5	26.0	34.0	18.0	44.0	55.5	50.0	50.0	
		1.024	1.339	0.709	1.732	2.185	1.969	1.969	
EXN08MSC2	M50x1.5	26.0	35.0	18.0	44.0	61.0	55.0	50.0	
		1.024	1.378	0.709	1.732	2.402	2.165	1.969	
EXN08MMC2	M50x1.5	35.0	44.0	18.0	43.0	70.0	64.0	64.0	
		1.378	1.732	0.709	1.693	2.756	2.52	2.52	
EXN09MSC2	M63x1.5	35.0	45.0	18.0	43.0	75.0	68.0	64.0	
		1.378	1.772	0.709	1.693	2.953	2.677	2.52	
EXN09MMC2	M63x1.5	46.0	56.0	18.0	52.5	89.0	75.0	80.0	
		1.811	2.205	0.709	2.067	3.504	2.953	3.15	
EXN10MSC2	M75x1.5	46.0	62.0	20.0	52.0	89.0	80.0	80.0	
		1.811	2.441	0.787	2.047	3.504	3.15	3.15	
EXN10MMC2	M75x1.5	60.0	69.0	20.0	55.0	105.0	95.0	95.0	
		2.362	2.717	0.787	2.165	4.134	3.74	3.74	
EXN11MSC2	M90x1.5	60.0	75.0	20.0	55.0	105.0	95.0	95.0	
		2.362	2.953	0.787	2.165	4.134	3.74	3.74	
EXN11MMC2	M90x1.5	75.0	82.0	20.0	55.0	117.0	105.0	105.0	
		2.953	3.228	0.787	2.165	4.606	4.134	4.134	

* For Stainless Steel version use EXS e.g. EXS03MSC2

** For installation kits with locknuts, shrouds, earth tags, and sealing washer add K e.g. EXN04MMC2K

*** Silicone seals available upon request subject to minimum order quantities

Product must be installed in accordance with applicable national and local electrical codes.



Product selection								
Part no:	Standard size (NPT)	Cable range Ø			Nominal dimensions			
		Inner Min. (mm/in)	Outer Min. (mm/in)	A Min	B Min	C Min	W1	W2
EXN03AMC2	3/8"	4.0	12.0	16.0	31.0	24.0	22.0	22.0
		0.157	0.472	0.63	1.22	0.945	0.866	0.866
EXN04ASC2	1/2"	3.0	9.0	16.0	27.0	24.0	22.0	20.0
		0.118	0.354	0.63	1.063	0.945	0.866	0.787
EXN04AMC2	1/2"	4.0	12.0	16.0	27.0	24.0	22.0	22.0
		0.157	0.472	0.63	1.063	0.945	0.866	0.866
EXN04ALC2	1/2"	10.0	16.0	16.0	30.0	31.0	28.0	28.0
		0.394	0.63	0.63	1.181	1.22	1.102	1.102
EXN05AMC2	3/4"	10.0	18.0	16.0	30.5	31.0	28.0	28.0
		0.394	0.709	0.63	1.201	1.22	1.102	1.102
EXN05ALC2	3/4"	14.0	20.0	16.0	34.0	39.0	35.0	35.0
		0.551	0.787	0.63	1.339	1.535	1.378	1.378
EXN06AMC2	1"	14.0	24.0	20.0	33.0	39.0	35.0	35.0
		0.551	0.945	0.787	1.299	1.535	1.378	1.378
EXN06ALC2	1"	22.0	28.0	20.0	41.0	50.0	45.0	45.0
		0.866	1.102	0.787	1.614	1.969	1.772	1.772
EXN07AMC2	1 1/4"	22.0	32.0	20.0	41.0	50.0	45.0	45.0
		0.866	1.26	0.787	1.614	1.969	1.772	1.772
EXN07ALC2	1 1/4"	26.0	34.0	20.0	44.0	55.5	50.0	50.0
		1.0	1.3	0.8	1.7	2.2	2.0	2.0
EXN08ASC2	1 1/2"	26.0	35.0	20.0	44.0	61.0	55.0	50.0
		1.0	1.4	0.8	1.7	2.4	2.2	2.0
EXN08AMC2	1 1/2"	35.0	44.0	20.0	43.0	70.0	64.0	64.0
		1.4	1.7	0.8	1.7	2.8	2.5	2.5
EXN09ASC2	2"	35.0	45.0	20.0	43.0	75.0	68.0	64.0
		1.4	1.8	0.8	1.7	3.0	2.7	2.5
EXN09AMC2	2"	46.0	56.0	20.0	52.5	89.0	75.0	80.0
		1.8	2.2	0.8	2.1	3.5	3.0	3.2
EXN10ASC2	2 1/2"	46.0	62.0	21.0	52.0	89.0	80.0	80.0
		1.8	2.4	0.8	2.0	3.5	3.2	3.2
EXN10AMC2	2 1/2"	60.0	69.0	21.0	55.0	105.0	95.0	95.0
		2.4	2.7	0.8	2.2	4.1	3.7	3.7
EXN11ASC2	3"	60.0	75.0	21.0	55.0	105.0	95.0	95.0
		2.4	3.0	0.8	2.2	4.1	3.7	3.7
EXN11AMC2	3"	75.0	82.0	21.0	55.0	117.0	105.0	105.0
		3.0	3.2	0.8	2.2	4.6	4.1	4.1

* For Stainless Steel version use EXS e.g. EXS03MSC2

** For installation kits with locknuts, shrouds, earth tags, and sealing washer add K e.g. EXN04MMC2K

*** Silicone seals available upon request subject to minimum order quantities

Product must be installed in accordance with applicable national and local electrical codes.

ABB Inc.
Electrification products
Memphis, Tennessee
USA

We reserve the right to make technical changes or modify the contents of this document without prior notice. With regard to purchase orders, the agreed particulars shall prevail. ABB Inc. does not accept any responsibility whatsoever for potential errors or possible lack of information in this document.

We reserve all rights in this document and in the subject matter and illustrations contained therein. Any reproduction, disclosure to third parties or utilization of its contents – in whole or in parts – is forbidden without prior written consent of ABB Inc. Copyright© 2017 ABB Inc. All rights reserved