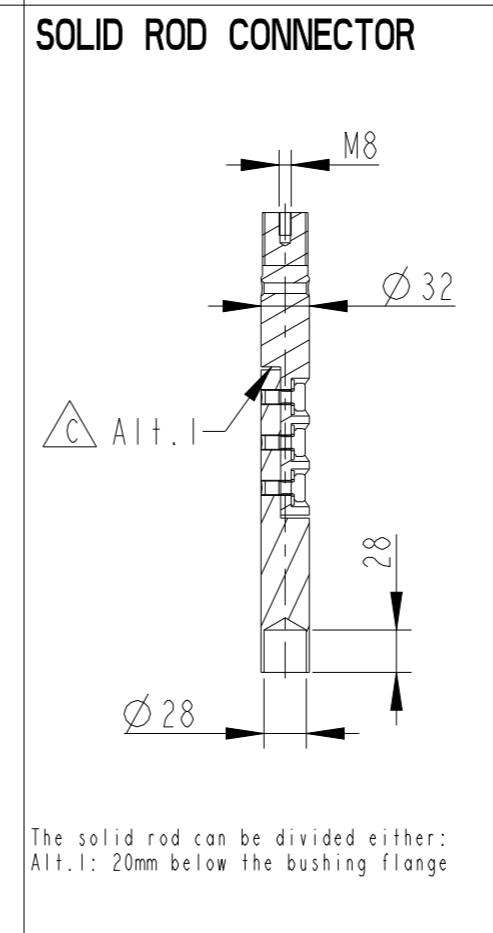
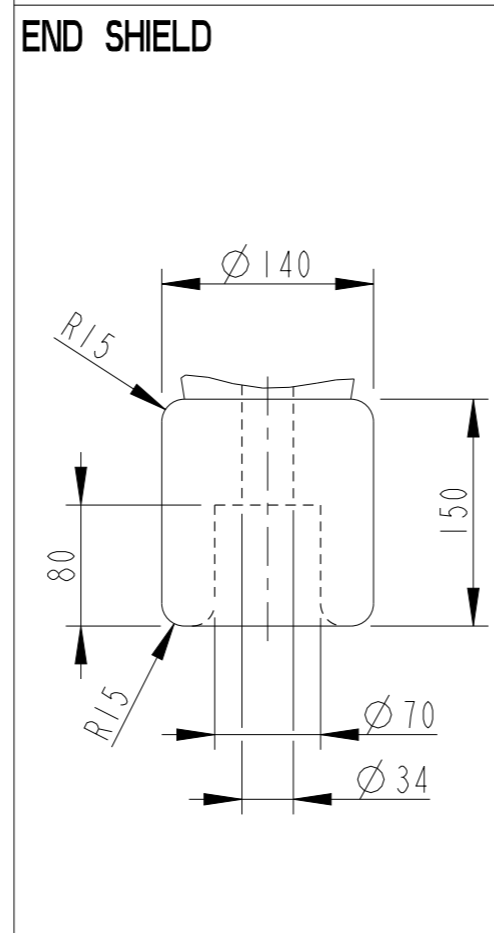
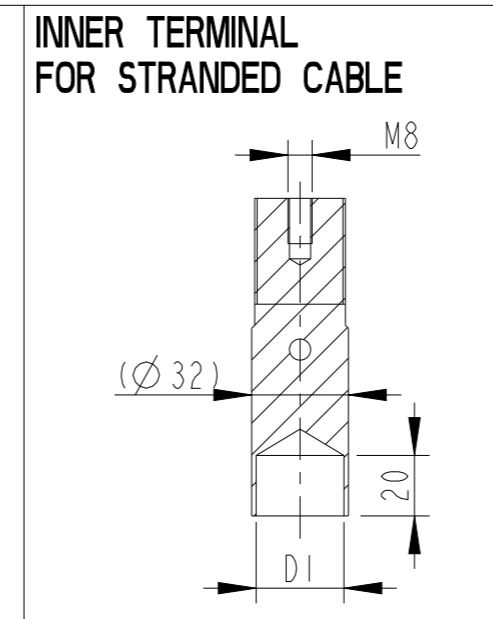
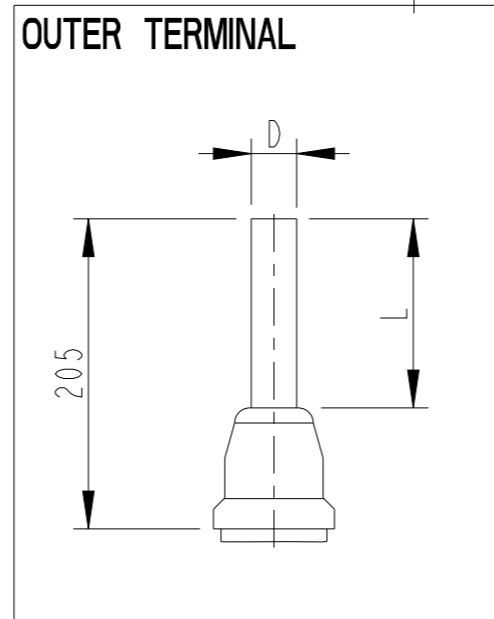
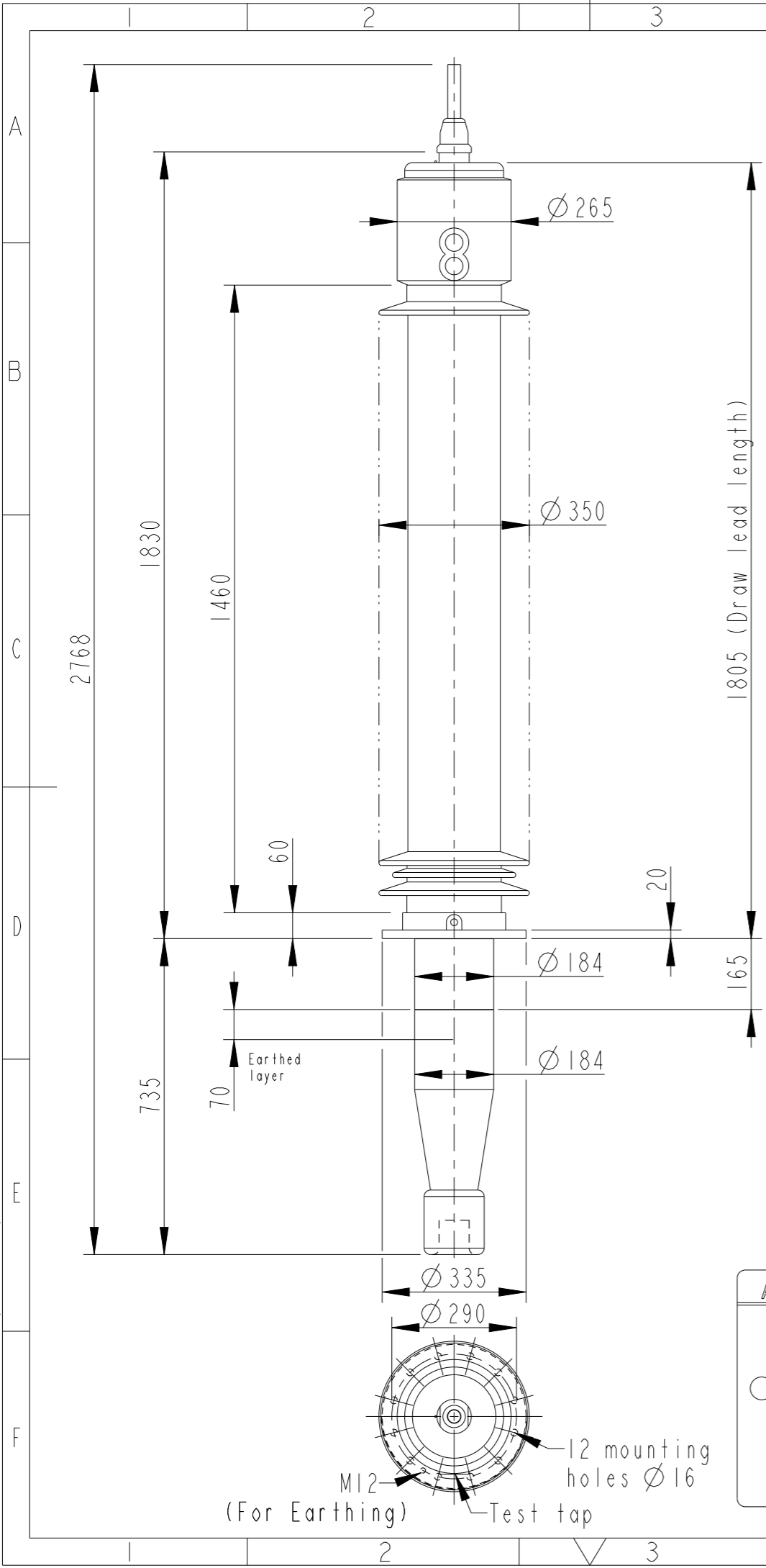


This document is issued by means of a computerized system. The digitally stored original is electronically approved. The approved document has a date entered in the "Approved"-field. A manual signature is not required.

We reserve all rights in this document and in the information contained therein. Reproduction, use or disclosure to third parties without express authority is strictly forbidden.



Revision	Revision text
C	Removed Alt.2, Changed the Phase to ground voltage from 170 to 98kV

Bushing Data:

Rated Voltage	170	kV
Phase to Ground Voltage	△C 98	kV
Dry Lightning Impulse 1,2/50µs	750	kV
Wet power frequency AC	325	kV
Routine test Imin dry 50Hz	365	kV
Rated Current	1250	A
Creepage Distance	5420±150	mm
Creepage Distance Protected	2330	mm
Mass	187	kg

Ordering Data:

BUSHING	COLOUR AIR INSULATOR
LF123104-M	BROWN
-N	LIGHT GREY
OUTER TERMINAL	Material D L
LF 170 002-B	Cu alloy, Ø30,125
LF 170 001-B	Al, Ø30,125
OTHER TYPES ON REQUEST	
INNER TERMINAL FOR STRANDED CABLE	
For brazing	Conductor area D1
LF 170 011-T	up to 285mm² Ø29
LF 170 011-V	Undrilled with pilot hole Ø5
SOLID ROD CONNECTOR	Material
LF 170 052 -AZ for Alt.1	Cu

Note:
Mounting inclination 0-45°.
For inclined and horizontal mounting, see Installation and Maintenance Guide.

ABB		Ludvika, Sweden	
No.			
Um	kV Ir	A	50/60 Hz
BIL	kV SIL	kV AC	kV
M	kg L	mm	✓
C1	pF Tan δ	z	
C2	pF Tan δ	z	

Created by Balaji.G.R	Reviewed by Joakim Persson	Approved by Natalia Gutman		
Approved 2020-01-14	Document Kind Outline Drawing	Based on doc.id	Work order id	Project id
Company ABB Technology Ltd	Title, Supplementary title GOB 750-1250-0.2			
Responsible Department SEABB-9AAE300824	WITH OIL LEVEL GAUGE LONG END SHIELD			
ABB	Document id 2751369-224	Status Released	Revision C	Iteration 1/1