

---

 TECHNICAL DATA SHEET

# ABB cable glands – BCG series

## Brass, general purpose cable glands



Nickel plated brass cable glands for general purpose use, OEM, industrial and commercial applications.

**Certifications / Standards:**

(Refer to tables for certifications details)




---

**Features & Benefits:**

- Low profile compact cable glands
- Wide cable clamping range
- Good corrosion resistance

---

**Applications:**

- General purpose
- Panel building
- Light fixture and housings
- Machine building
- Suitable for cable types:
  - Non-armoured
  - Portable
  - Tray

---

**Material:**

- Nickel plated brass construction
- Chloroprene seals

---

**Environmental ratings:**

**Working Temperature:**

- Normal use: -20 to +100°C (-4 to +212°F)
- Short term: -30 to +150°C (-22 to +302°F)

**Ingress protection:**

To ensure ingress protection, use suitable gasket and lock nut when required.

- IP66
- IP68 (5 bar 30 mins)
- NEMA 4

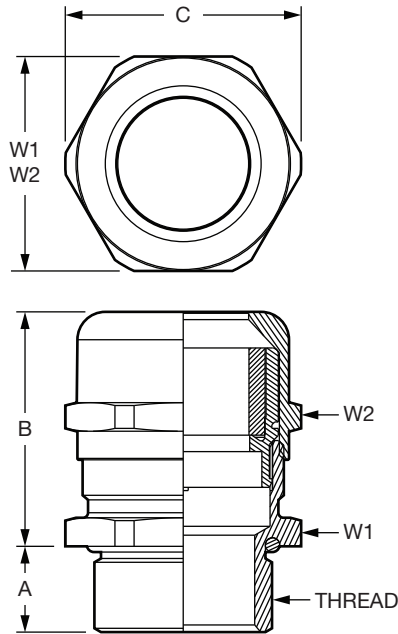
**Chemical resistance guide:**

- See publication TDS000081

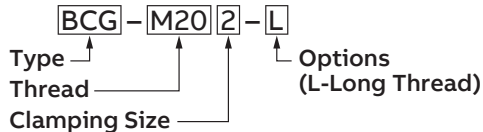
---

**Conforms to:**

- UL514B / CSA C22.2 No 18.3 (see table for details)
- EN 62444
- RoHS (Restriction of Hazardous Substances Directive) 2011/65/EU Incorporating 2015/863 amendment to Annex II
- WEEE (Waste Electrical & Electronic Equipment Directive) 2002/96/EC
- LVD (Low Voltage Directive) 2014/35/EU



### Part number information:



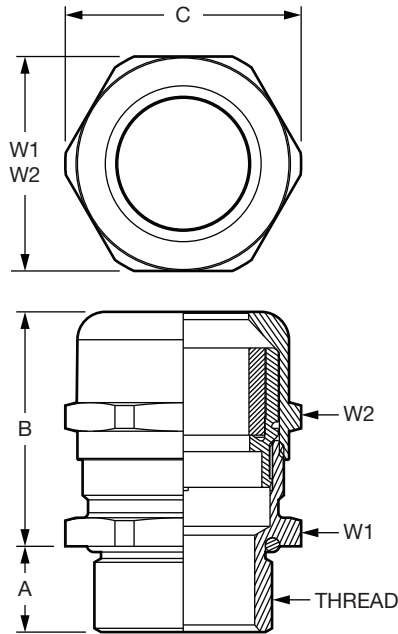
Brass Cable Gland 6-12mm  
M20X1.5 (12mmTL)

### Product selection

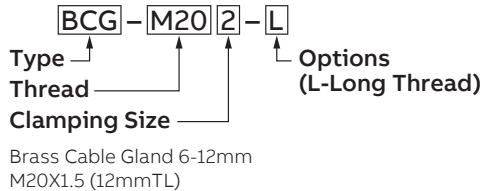
Part no:	Thread (metric)	Cable range		Nominal dimensions				
		Min	Max	A	B	C	W1	W2
BCG-M121	M12x1.5	<b>2.0</b>	<b>5.0</b>	<b>6.0</b>	<b>22.0</b>	<b>15.5</b>	<b>14.0</b>	<b>14.0</b>
		(0.079)	(0.197)	(0.236)	(0.866)	(0.61)	(0.551)	(0.551)
BCG-M121-L (cURus)	M12x1.5	<b>3.0</b>	<b>6.5</b>	<b>12.0</b>	<b>22.0</b>	<b>15.5</b>	<b>14.0</b>	<b>14.0</b>
		(0.118)	(0.256)	(0.472)	(0.866)	(0.61)	(0.551)	(0.551)
BCG-M122 (cURus)	M12x1.5	<b>3.0</b>	<b>6.5</b>	<b>6.0</b>	<b>22.0</b>	<b>15.5</b>	<b>14.0</b>	<b>14.0</b>
		(0.118)	(0.256)	(0.236)	(0.866)	(0.61)	(0.551)	(0.551)
BCG-M161	M16x1.5	<b>2.0</b>	<b>6.0</b>	<b>7.0</b>	<b>23.0</b>	<b>20.0</b>	<b>18.0</b>	<b>17.0</b>
		(0.079)	(0.236)	(0.276)	(0.906)	(0.787)	(0.709)	(0.669)
BCG-M161-L	M16x1.5	<b>2.0</b>	<b>6.0</b>	<b>12.0</b>	<b>23.0</b>	<b>20.0</b>	<b>18.0</b>	<b>17.0</b>
		(0.079)	(0.236)	(0.472)	(0.906)	(0.787)	(0.709)	(0.669)
BCG-M162 (cURus)	M16x1.5	<b>4.0</b>	<b>8.0</b>	<b>7.0</b>	<b>23.0</b>	<b>20.0</b>	<b>18.0</b>	<b>17.0</b>
		(0.157)	(0.315)	(0.276)	(0.906)	(0.787)	(0.709)	(0.669)
BCG-M162-L (cURus)	M16x1.5	<b>4.0</b>	<b>8.0</b>	<b>12.0</b>	<b>23.0</b>	<b>20.0</b>	<b>18.0</b>	<b>17.0</b>
		(0.157)	(0.315)	(0.472)	(0.906)	(0.787)	(0.709)	(0.669)
BCG-M163 (cURus)	M16x1.5	<b>5.0</b>	<b>10.0</b>	<b>7.0</b>	<b>28.5</b>	<b>22.0</b>	<b>20.0</b>	<b>20.0</b>
		(0.197)	(0.394)	(0.276)	(1.122)	(0.866)	(0.787)	(0.787)
BCG-M163-L (cURus)	M16x1.5	<b>5.0</b>	<b>10.0</b>	<b>12.0</b>	<b>28.5</b>	<b>22.0</b>	<b>20.0</b>	<b>20.0</b>
		(0.197)	(0.394)	(0.472)	(1.122)	(0.866)	(0.787)	(0.787)
BCG-M201	M20x1.5	<b>5.0</b>	<b>9.0</b>	<b>8.0</b>	<b>26.0</b>	<b>24.5</b>	<b>22.0</b>	<b>22.0</b>
		(0.197)	(0.354)	(0.315)	(1.024)	(0.965)	(0.866)	(0.866)
BCG-M201-L	M20x1.5	<b>5.0</b>	<b>9.0</b>	<b>12.0</b>	<b>26.0</b>	<b>24.5</b>	<b>22.0</b>	<b>22.0</b>
		(0.197)	(0.354)	(0.472)	(1.024)	(0.965)	(0.866)	(0.866)
BCG-M202 (cULus)	M20x1.5	<b>6.0</b>	<b>12.0</b>	<b>8.0</b>	<b>26.0</b>	<b>24.5</b>	<b>22.0</b>	<b>22.0</b>
		(0.236)	(0.472)	(0.315)	(1.024)	(0.965)	(0.866)	(0.866)
BCG-M202-L (cULus)	M20x1.5	<b>6.0</b>	<b>12.0</b>	<b>12.0</b>	<b>26.0</b>	<b>24.5</b>	<b>22.0</b>	<b>22.0</b>
		(0.236)	(0.472)	(0.472)	(1.024)	(0.965)	(0.866)	(0.866)
BCG-M203 (cULus)	M20x1.5	<b>10.0</b>	<b>14.0</b>	<b>8.0</b>	<b>28.0</b>	<b>26.8</b>	<b>24.0</b>	<b>24.0</b>
		(0.394)	(0.551)	(0.315)	(1.102)	(1.055)	(0.945)	(0.945)
BCG-M203-L (cULus)	M20x1.5	<b>10.0</b>	<b>14.0</b>	<b>12.0</b>	<b>28.0</b>	<b>26.8</b>	<b>24.0</b>	<b>24.0</b>
		(0.394)	(0.551)	(0.472)	(1.102)	(1.055)	(0.945)	(0.945)
BCG-M251	M25x1.5	<b>7.0</b>	<b>12.0</b>	<b>8.0</b>	<b>28.0</b>	<b>29.8</b>	<b>27.0</b>	<b>24.0</b>
		(0.276)	(0.472)	(0.315)	(1.102)	(1.173)	(1.063)	(0.945)
BCG-M251-L	M25x1.5	<b>7.0</b>	<b>12.0</b>	<b>12.0</b>	<b>28.0</b>	<b>29.8</b>	<b>27.0</b>	<b>24.0</b>
		(0.276)	(0.472)	(0.472)	(1.102)	(1.173)	(1.063)	(0.945)
BCG-M252	M25x1.5	<b>9.0</b>	<b>16.0</b>	<b>8.0</b>	<b>33.0</b>	<b>33.0</b>	<b>30.0</b>	<b>30.0</b>
		(0.354)	(0.63)	(0.315)	(1.299)	(1.299)	(1.181)	(1.181)
BCG-M252-L	M25x1.5	<b>9.0</b>	<b>16.0</b>	<b>12.0</b>	<b>33.0</b>	<b>33.0</b>	<b>30.0</b>	<b>30.0</b>
		(0.354)	(0.63)	(0.472)	(1.299)	(1.299)	(1.181)	(1.181)
BCG-M253 (cULus)	M25x1.5	<b>10.0</b>	<b>14.0</b>	<b>8.0</b>	<b>28.0</b>	<b>29.8</b>	<b>27.0</b>	<b>24.0</b>
		(0.394)	(0.551)	(0.315)	(1.102)	(1.173)	(1.063)	(0.945)
BCG-M253-L (cULus)	M25x1.5	<b>10.0</b>	<b>14.0</b>	<b>12.0</b>	<b>28.0</b>	<b>29.8</b>	<b>27.0</b>	<b>24.0</b>
		(0.394)	(0.551)	(0.472)	(1.102)	(1.173)	(1.063)	(0.945)
BCG-M254 (cULus)	M25x1.5	<b>13.0</b>	<b>18.0</b>	<b>8.0</b>	<b>33.0</b>	<b>32.0</b>	<b>30.0</b>	<b>30.0</b>
		(0.512)	(0.709)	(0.315)	(1.299)	(1.26)	(1.181)	(1.181)
BCG-M254-L (cULus)	M25x1.5	<b>13.0</b>	<b>18.0</b>	<b>12.0</b>	<b>33.0</b>	<b>32.0</b>	<b>30.0</b>	<b>30.0</b>
		(0.512)	(0.709)	(0.472)	(1.299)	(1.26)	(1.181)	(1.181)
BCG-M321	M32x1.5	<b>9.0</b>	<b>16.0</b>	<b>9.0</b>	<b>33.0</b>	<b>37.5</b>	<b>34.0</b>	<b>30.0</b>
		(0.354)	(0.63)	(0.354)	(1.299)	(1.476)	(1.339)	(1.181)

Bold numbers are metric, parenthesis numbers are inches.

Note: Product must be installed in accordance with applicable national and local electrical codes.



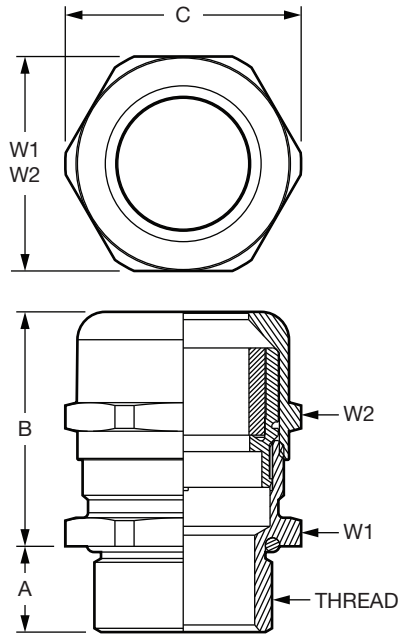
### Part number information:



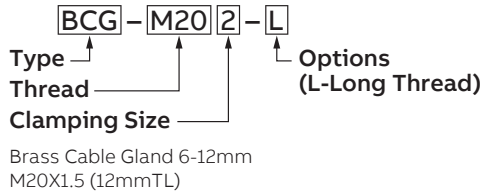
Product selection								
Part no:	Thread (metric)	Cable range			Nominal dimensions			
		Min	Max	A	B	C	W1	W2
BCG-M321-L	M32x1.5	<b>9.0</b>	<b>16.0</b>	<b>15.0</b>	<b>33.0</b>	<b>37.5</b>	<b>34.0</b>	<b>30.0</b>
		(0.354)	(0.63)	(0.591)	(1.299)	(1.476)	(1.339)	(1.181)
BCG-M322	M32x1.5	<b>12.0</b>	<b>20.0</b>	<b>9.0</b>	<b>44.0</b>	<b>44.5</b>	<b>40.0</b>	<b>40.0</b>
		(0.472)	(0.787)	(0.354)	(1.732)	(1.752)	(1.575)	(1.575)
BCG-M322-L	M32x1.5	<b>12.0</b>	<b>20.0</b>	<b>15.0</b>	<b>44.0</b>	<b>44.5</b>	<b>40.0</b>	<b>40.0</b>
		(0.472)	(0.787)	(0.591)	(1.732)	(1.752)	(1.575)	(1.575)
BCG-M323 (cULus)	M32x1.5	<b>13.0</b>	<b>18.0</b>	<b>9.0</b>	<b>33.0</b>	<b>37.5</b>	<b>34.0</b>	<b>30.0</b>
		(0.512)	(0.709)	(0.354)	(1.299)	(1.476)	(1.339)	(1.181)
BCG-M323-L (cULus)	M32x1.5	<b>13.0</b>	<b>18.0</b>	<b>15.0</b>	<b>33.0</b>	<b>37.5</b>	<b>34.0</b>	<b>30.0</b>
		(0.512)	(0.709)	(0.591)	(1.299)	(1.476)	(1.339)	(1.181)
BCG-M324 (cULus)	M32x1.5	<b>15.0</b>	<b>21.0</b>	<b>8.0</b>	<b>36.0</b>	<b>37.0</b>	<b>34.0</b>	<b>34.0</b>
		(0.591)	(0.827)	(0.315)	(1.417)	(1.457)	(1.339)	(1.339)
BCG-M324-L (cULus)	M32x1.5	<b>15.0</b>	<b>21.0</b>	<b>15.0</b>	<b>36.0</b>	<b>37.0</b>	<b>34.0</b>	<b>34.0</b>
		(0.591)	(0.827)	(0.591)	(1.417)	(1.457)	(1.339)	(1.339)
BCG-M325 (cULus)	M32x1.5	<b>18.0</b>	<b>25.0</b>	<b>9.0</b>	<b>44.0</b>	<b>44.5</b>	<b>40.0</b>	<b>40.0</b>
		(0.709)	(0.984)	(0.354)	(1.732)	(1.752)	(1.575)	(1.575)
BCG-M325-L (cULus)	M32x1.5	<b>18.0</b>	<b>25.0</b>	<b>15.0</b>	<b>44.0</b>	<b>44.5</b>	<b>40.0</b>	<b>40.0</b>
		(0.709)	(0.984)	(0.591)	(1.732)	(1.752)	(1.575)	(1.575)
BCG-M401	M40x1.5	<b>12.0</b>	<b>20.0</b>	<b>9.0</b>	<b>38.5</b>	<b>48.5</b>	<b>43.0</b>	<b>40.0</b>
		(0.472)	(0.787)	(0.354)	(1.516)	(1.909)	(1.693)	(1.575)
BCG-M401-L	M40x1.5	<b>12.0</b>	<b>20.0</b>	<b>15.0</b>	<b>38.5</b>	<b>48.5</b>	<b>43.0</b>	<b>40.0</b>
		(0.472)	(0.787)	(0.591)	(1.516)	(1.909)	(1.693)	(1.575)
BCG-M402	M40x1.5	<b>16.0</b>	<b>23.0</b>	<b>9.0</b>	<b>43.5</b>	<b>48.4</b>	<b>43.0</b>	<b>43.0</b>
		(0.63)	(0.906)	(0.354)	(1.713)	(1.906)	(1.693)	(1.693)
BCG-M402-L	M40x1.5	<b>16.0</b>	<b>23.0</b>	<b>15.0</b>	<b>43.5</b>	<b>48.4</b>	<b>43.0</b>	<b>43.0</b>
		(0.63)	(0.906)	(0.591)	(1.713)	(1.906)	(1.693)	(1.693)
BCG-M403 (cULus)	M40x1.5	<b>19.0</b>	<b>28.0</b>	<b>9.0</b>	<b>43.5</b>	<b>48.4</b>	<b>43.0</b>	<b>43.0</b>
		(0.748)	(1.102)	(0.354)	(1.713)	(1.906)	(1.693)	(1.693)
BCG-M403-L (cULus)	M40x1.5	<b>19.0</b>	<b>28.0</b>	<b>15.0</b>	<b>43.5</b>	<b>48.4</b>	<b>43.0</b>	<b>43.0</b>
		(0.748)	(1.102)	(0.591)	(1.713)	(1.906)	(1.693)	(1.693)
BCG-M404 (cULus)	M40x1.5	<b>22.0</b>	<b>32.0</b>	<b>9.0</b>	<b>52.5</b>	<b>55.5</b>	<b>50.0</b>	<b>50.0</b>
		(0.866)	(1.26)	(0.354)	(2.067)	(2.185)	(1.969)	(1.969)
BCG-M404-L (cULus)	M40x1.5	<b>22.0</b>	<b>32.0</b>	<b>15.0</b>	<b>52.5</b>	<b>55.5</b>	<b>50.0</b>	<b>50.0</b>
		(0.866)	(1.26)	(0.591)	(2.067)	(2.185)	(1.969)	(1.969)
BCG-M501	M50x1.5	<b>20.0</b>	<b>26.0</b>	<b>9.0</b>	<b>48.0</b>	<b>61.0</b>	<b>55.0</b>	<b>50.0</b>
		(0.787)	(1.024)	(0.354)	(1.89)	(2.402)	(2.165)	(1.969)
BCG-M501-L	M50x1.5	<b>20.0</b>	<b>26.0</b>	<b>15.0</b>	<b>48.0</b>	<b>61.0</b>	<b>55.0</b>	<b>50.0</b>
		(0.787)	(1.024)	(0.591)	(1.89)	(2.402)	(2.165)	(1.969)
BCG-M502 (cULus)	M50x1.5	<b>22.0</b>	<b>32.0</b>	<b>9.0</b>	<b>48.0</b>	<b>61.0</b>	<b>55.0</b>	<b>50.0</b>
		(0.866)	(1.26)	(0.354)	(1.89)	(2.402)	(2.165)	(1.969)
BCG-M502-L (cULus)	M50x1.5	<b>22.0</b>	<b>32.0</b>	<b>15.0</b>	<b>48.0</b>	<b>61.0</b>	<b>55.0</b>	<b>50.0</b>
		(0.866)	(1.26)	(0.591)	(1.89)	(2.402)	(2.165)	(1.969)
BCG-M503 (cULus)	M50x1.5	<b>27.0</b>	<b>38.0</b>	<b>9.0</b>	<b>52.0</b>	<b>64.0</b>	<b>58.0</b>	<b>58.0</b>
		(1.063)	(1.496)	(0.354)	(2.047)	(2.52)	(2.283)	(2.283)
BCG-M503-L (cULus)	M50x1.5	<b>27.0</b>	<b>38.0</b>	<b>15.0</b>	<b>52.0</b>	<b>64.0</b>	<b>58.0</b>	<b>58.0</b>
		(1.063)	(1.496)	(0.591)	(2.047)	(2.52)	(2.283)	(2.283)
BCG-M504 (cULus)	M50x1.5	<b>34.0</b>	<b>44.0</b>	<b>9.0</b>	<b>52.8</b>	<b>75.0</b>	<b>64.0</b>	<b>64.0</b>
		(1.339)	(1.732)	(0.354)	(2.079)	(2.953)	(2.520)	(2.520)

Bold numbers are metric, parenthesis numbers are inches.

Note: Product must be installed in accordance with applicable national and local electrical codes.



### Part number information:



### Product selection

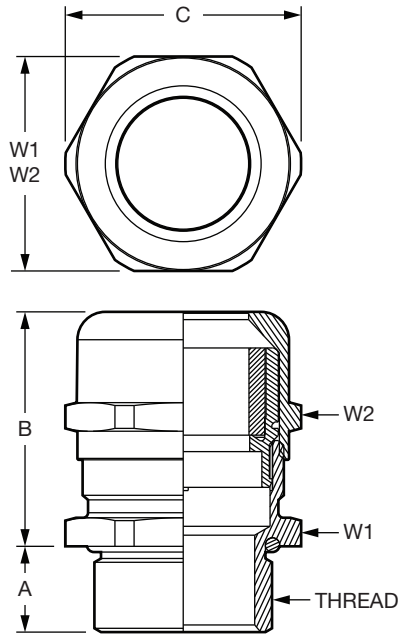
Part no:	Thread (metric)	Cable range		Nominal dimensions				
		Min	Max	A	B	C	W1	W2
BCG-M504-L (cULus)	M50x1.5	<b>34.0</b>	<b>44.0</b>	<b>15.0</b>	<b>52.8</b>	<b>75.0</b>	<b>64.0</b>	<b>64.0</b>
		(1.339)	(1.732)	(0.591)	(2.079)	(2.953)	(2.520)	(2.520)
BCG-M631	M63x1.5	<b>29.0</b>	<b>35.0</b>	<b>10.0</b>	<b>54.0</b>	<b>75.0</b>	<b>68.0</b>	<b>64.0</b>
		(1.142)	(1.378)	(0.394)	(2.126)	(2.953)	(2.677)	(2.520)
BCG-M631-L	M63x1.5	<b>29.0</b>	<b>35.0</b>	<b>18.0</b>	<b>54.0</b>	<b>75.0</b>	<b>68.0</b>	<b>64.0</b>
		(1.142)	(1.378)	(0.709)	(2.126)	(2.953)	(2.677)	(2.520)
BCG-M632 (cULus)	M63x1.5	<b>34.0</b>	<b>44.0</b>	<b>10.0</b>	<b>54.0</b>	<b>75.0</b>	<b>68.0</b>	<b>64.0</b>
		(1.339)	(1.732)	(0.394)	(2.126)	(2.953)	(2.677)	(2.520)
BCG-M632-L (cULus)	M63x1.5	<b>34.0</b>	<b>44.0</b>	<b>18.0</b>	<b>53.0</b>	<b>75.0</b>	<b>68.0</b>	<b>64.0</b>
		(1.339)	(1.732)	(0.709)	(2.087)	(2.953)	(2.677)	(2.520)
BCG-M633 (cULus)	M63x1.5	<b>37.0</b>	<b>53.0</b>	<b>10.0</b>	<b>51.0</b>	<b>83.0</b>	<b>75.0</b>	<b>75.0</b>
		(1.457)	(2.087)	(0.394)	(2.008)	(3.268)	(2.953)	(2.953)
BCG-M633-L (cULus)	M63x1.5	<b>37.0</b>	<b>53.0</b>	<b>18.0</b>	<b>51.0</b>	<b>83.0</b>	<b>75.0</b>	<b>75.0</b>
		(1.457)	(2.087)	(0.709)	(2.008)	(3.268)	(2.953)	(2.953)

### Product selection

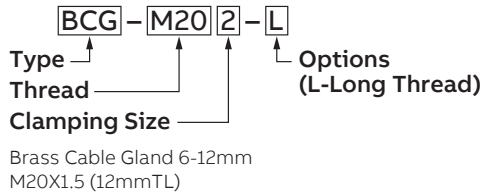
Part no:	Thread (NPT)	Cable range		Nominal dimensions				
		Min	Max	A	B	C	W1	W2
BCG-0381	3/8"	<b>2.0</b>	<b>6.0</b>	<b>11.5</b>	<b>23.5</b>	<b>21.0</b>	<b>19.0</b>	<b>17.0</b>
		(0.079)	(0.236)	(0.453)	(0.925)	(0.827)	(0.748)	(0.669)
BCG-0382 (cURus)	3/8"	<b>5.0</b>	<b>10.0</b>	<b>11.5</b>	<b>29.5</b>	<b>22.0</b>	<b>20.0</b>	<b>20.0</b>
		(0.197)	(0.394)	(0.453)	(1.161)	(0.866)	(0.787)	(0.787)
BCG-0501	1/2"	<b>5.0</b>	<b>9.0</b>	<b>13.0</b>	<b>25.5</b>	<b>24.5</b>	<b>22.0</b>	<b>22.0</b>
		(0.197)	(0.354)	(0.512)	(1.004)	(0.965)	(0.866)	(0.866)
BCG-0502 (cULus)	1/2"	<b>6.0</b>	<b>12.0</b>	<b>13.0</b>	<b>25.5</b>	<b>24.5</b>	<b>22.0</b>	<b>22.0</b>
		(0.236)	(0.472)	(0.512)	(1.004)	(0.965)	(0.866)	(0.866)
BCG-0503 (cULus)	1/2"	<b>10.0</b>	<b>14.0</b>	<b>13.0</b>	<b>28.0</b>	<b>26.8</b>	<b>24.0</b>	<b>24.0</b>
		(0.394)	(0.551)	(0.512)	(1.102)	(1.055)	(0.945)	(0.945)
BCG-0751	3/4"	<b>9.0</b>	<b>16.0</b>	<b>13.0</b>	<b>36.0</b>	<b>33.0</b>	<b>30.0</b>	<b>30.0</b>
		(0.354)	(0.63)	(0.512)	(1.417)	(1.299)	(1.181)	(1.181)
BCG-0752 (cULus)	3/4"	<b>13.0</b>	<b>18.0</b>	<b>13.0</b>	<b>36.0</b>	<b>33.0</b>	<b>30.0</b>	<b>30.0</b>
		(0.512)	(0.709)	(0.512)	(1.417)	(1.299)	(1.181)	(1.181)
BCG-1001	1"	<b>12.0</b>	<b>20.0</b>	<b>13.0</b>	<b>43.0</b>	<b>48.5</b>	<b>43.0</b>	<b>40.0</b>
		(0.472)	(0.787)	(0.512)	(1.693)	(1.909)	(1.693)	(1.575)
BCG-1002 (cULus)	1"	<b>18.0</b>	<b>25.0</b>	<b>13.0</b>	<b>43.0</b>	<b>48.5</b>	<b>43.0</b>	<b>40.0</b>
		(0.709)	(0.984)	(0.512)	(1.693)	(1.909)	(1.693)	(1.575)
BCG-1251	1-1/4"	<b>22.0</b>	<b>32.0</b>	<b>25.6</b>	<b>50</b>	<b>55.5</b>	<b>50</b>	<b>50</b>
		(0.866)	(1.260)	(1.008)	(1.969)	(2.185)	(1.969)	(1.969)
BCG-1501	1-1/2"	<b>30.0</b>	<b>38.0</b>	<b>26.0</b>	<b>51.0</b>	<b>64.0</b>	<b>58</b>	<b>58</b>
		(1.181)	(1.496)	(1.024)	(2.008)	(2.520)	(2.283)	(2.283)
BCG-2001	2"	<b>34.0</b>	<b>44.0</b>	<b>27.0</b>	<b>55.0</b>	<b>70.0</b>	<b>64</b>	<b>64</b>
		(1.339)	(1.732)	(1.063)	(2.165)	(2.756)	(2.520)	(2.520)

Bold numbers are metric, parenthesis numbers are inches.

Note: Product must be installed in accordance with applicable national and local electrical codes.



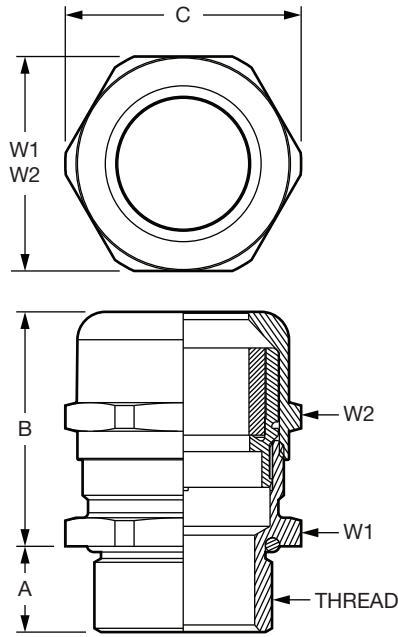
### Part number information:



Product selection								
Part no:	Thread (PG)	Cable range			Nominal dimensions			
		Min	Max	A	B	C	W1	W2
BCG-PG71	PG07	<b>2.0</b>	<b>5.0</b>	<b>6.0</b>	<b>22.0</b>	<b>15.5</b>	<b>14.0</b>	<b>14.0</b>
		(0.079)	(0.197)	(0.236)	(0.866)	(0.61)	(0.551)	(0.551)
BCG-PG71-L	PG07	<b>2.0</b>	<b>5.0</b>	<b>10.0</b>	<b>22.0</b>	<b>15.5</b>	<b>14.0</b>	<b>14.0</b>
		(0.079)	(0.197)	(0.394)	(0.866)	(0.61)	(0.551)	(0.551)
BCG-PG72 (cURus)	PG07	<b>3.0</b>	<b>6.5</b>	<b>6.0</b>	<b>22.0</b>	<b>15.5</b>	<b>14.0</b>	<b>14.0</b>
		(0.118)	(0.256)	(0.236)	(0.866)	(0.61)	(0.551)	(0.551)
BCG-PG72-L (cURus)	PG07	<b>3.0</b>	<b>6.5</b>	<b>10.0</b>	<b>22.0</b>	<b>15.5</b>	<b>14.0</b>	<b>14.0</b>
		(0.118)	(0.256)	(0.394)	(0.866)	(0.61)	(0.551)	(0.551)
BCG-PG91	PG09	<b>2.0</b>	<b>6.0</b>	<b>6.0</b>	<b>23.5</b>	<b>18.9</b>	<b>17.0</b>	<b>17.0</b>
		(0.079)	(0.236)	(0.236)	(0.925)	(0.744)	(0.669)	(0.669)
BCG-PG91-L	PG09	<b>2.0</b>	<b>6.0</b>	<b>10.0</b>	<b>23.5</b>	<b>18.9</b>	<b>17.0</b>	<b>17.0</b>
		(0.079)	(0.236)	(0.394)	(0.925)	(0.744)	(0.669)	(0.669)
BCG-PG92 (cURus)	PG09	<b>4.0</b>	<b>8.0</b>	<b>6.0</b>	<b>23.5</b>	<b>18.9</b>	<b>17.0</b>	<b>17.0</b>
		(0.157)	(0.315)	(0.236)	(0.925)	(0.744)	(0.669)	(0.669)
BCG-PG92-L (cURus)	PG09	<b>4.0</b>	<b>8.0</b>	<b>10.0</b>	<b>23.5</b>	<b>18.9</b>	<b>17.0</b>	<b>17.0</b>
		(0.157)	(0.315)	(0.394)	(0.925)	(0.744)	(0.669)	(0.669)
BCG-PG111	PG11	<b>3.0</b>	<b>7.0</b>	<b>6.0</b>	<b>26.0</b>	<b>22.0</b>	<b>20.0</b>	<b>20.0</b>
		(0.118)	(0.276)	(0.236)	(1.024)	(0.866)	(0.787)	(0.787)
BCG-PG111-L	PG11	<b>3.0</b>	<b>7.0</b>	<b>10.0</b>	<b>26.0</b>	<b>22.0</b>	<b>20.0</b>	<b>20.0</b>
		(0.118)	(0.276)	(0.394)	(1.024)	(0.866)	(0.787)	(0.787)
BCG-PG112 (cURus)	PG11	<b>5.0</b>	<b>10.0</b>	<b>6.0</b>	<b>26.0</b>	<b>22.0</b>	<b>20.0</b>	<b>20.0</b>
		(0.197)	(0.394)	(0.236)	(1.024)	(0.866)	(0.787)	(0.787)
BCG-PG112-L (cURus)	PG11	<b>5.0</b>	<b>10.0</b>	<b>10.0</b>	<b>26.0</b>	<b>22.0</b>	<b>20.0</b>	<b>20.0</b>
		(0.197)	(0.394)	(0.394)	(1.024)	(0.866)	(0.787)	(0.787)
BCG-PG131	PG13.5	<b>5.0</b>	<b>9.0</b>	<b>6.5</b>	<b>24.5</b>	<b>24.5</b>	<b>22.0</b>	<b>22.0</b>
		(0.197)	(0.354)	(0.256)	(0.965)	(0.965)	(0.866)	(0.866)
BCG-PG131-L	PG13.5	<b>5.0</b>	<b>9.0</b>	<b>10.0</b>	<b>24.5</b>	<b>24.5</b>	<b>22.0</b>	<b>22.0</b>
		(0.197)	(0.354)	(0.394)	(0.965)	(0.965)	(0.866)	(0.866)
BCG-PG132 (cULus)	PG13.5	<b>6.0</b>	<b>12.0</b>	<b>6.5</b>	<b>24.5</b>	<b>24.5</b>	<b>22.0</b>	<b>22.0</b>
		(0.236)	(0.472)	(0.256)	(0.965)	(0.965)	(0.866)	(0.866)
BCG-PG132-L (cULus)	PG13.5	<b>6.0</b>	<b>12.0</b>	<b>10.0</b>	<b>24.5</b>	<b>24.5</b>	<b>22.0</b>	<b>22.0</b>
		(0.236)	(0.472)	(0.394)	(0.965)	(0.965)	(0.866)	(0.866)
BCG-PG161	PG16	<b>7.0</b>	<b>12.0</b>	<b>6.5</b>	<b>28.0</b>	<b>26.5</b>	<b>24.0</b>	<b>24.0</b>
		(0.276)	(0.472)	(0.256)	(1.102)	(1.043)	(0.945)	(0.945)
BCG-PG161-L	PG16	<b>7.0</b>	<b>12.0</b>	<b>10.0</b>	<b>28.0</b>	<b>26.5</b>	<b>24.0</b>	<b>24.0</b>
		(0.276)	(0.472)	(0.394)	(1.102)	(1.043)	(0.945)	(0.945)
BCG-PG162 (cULus)	PG16	<b>10.0</b>	<b>14.0</b>	<b>6.5</b>	<b>28.0</b>	<b>26.5</b>	<b>24.0</b>	<b>24.0</b>
		(0.394)	(0.551)	(0.256)	(1.102)	(1.043)	(0.945)	(0.945)
BCG-PG162-L (cULus)	PG16	<b>10.0</b>	<b>14.0</b>	<b>10.0</b>	<b>28.0</b>	<b>26.5</b>	<b>24.0</b>	<b>24.0</b>
		(0.394)	(0.551)	(0.394)	(1.102)	(1.043)	(0.945)	(0.945)
BCG-PG211	PG21	<b>9.0</b>	<b>16.0</b>	<b>7.2</b>	<b>33.0</b>	<b>33.0</b>	<b>30.0</b>	<b>30.0</b>
		(0.354)	(0.63)	(0.283)	(1.299)	(1.299)	(1.181)	(1.181)
BCG-PG211-L	PG21	<b>9.0</b>	<b>16.0</b>	<b>12.0</b>	<b>33.0</b>	<b>33.0</b>	<b>30.0</b>	<b>30.0</b>
		(0.354)	(0.63)	(0.472)	(1.299)	(1.299)	(1.181)	(1.181)
BCG-PG212 (cULus)	PG21	<b>13.0</b>	<b>18.0</b>	<b>7.2</b>	<b>33.0</b>	<b>33.0</b>	<b>30.0</b>	<b>30.0</b>
		(0.512)	(0.709)	(0.283)	(1.299)	(1.299)	(1.181)	(1.181)
BCG-PG212-L (cULus)	PG21	<b>13.0</b>	<b>18.0</b>	<b>12.0</b>	<b>33.0</b>	<b>33.0</b>	<b>30.0</b>	<b>30.0</b>
		(0.512)	(0.709)	(0.472)	(1.299)	(1.299)	(1.181)	(1.181)

Bold numbers are metric, parenthesis numbers are inches.

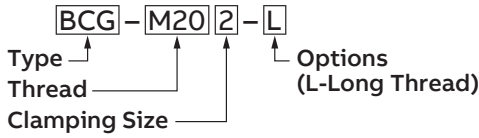
Note: Product must be installed in accordance with applicable national and local electrical codes.



Product selection								
Part no:	Thread (PG)	Cable range			Nominal dimensions			
		Min	Max	A	B	C	W1	W2
BCG-PG291	PG29	<b>12.0</b>	<b>20.0</b>	<b>8.0</b>	<b>38.5</b>	<b>44.5</b>	<b>40.0</b>	<b>40.0</b>
		(0.472)	(0.787)	(0.315)	(1.516)	(1.752)	(1.575)	(1.575)
BCG-PG291-L	PG29	<b>12.0</b>	<b>20.0</b>	<b>12.0</b>	<b>38.5</b>	<b>44.5</b>	<b>40.0</b>	<b>40.0</b>
		(0.472)	(0.787)	(0.472)	(1.516)	(1.752)	(1.575)	(1.575)
BCG-PG292 (cULus)	PG29	<b>18.0</b>	<b>25.0</b>	<b>8.0</b>	<b>38.5</b>	<b>44.5</b>	<b>40.0</b>	<b>40.0</b>
		(0.709)	(0.984)	(0.315)	(1.516)	(1.752)	(1.575)	(1.575)
BCG-PG292-L (cULus)	PG29	<b>18.0</b>	<b>25.0</b>	<b>12.0</b>	<b>38.5</b>	<b>44.5</b>	<b>40.0</b>	<b>40.0</b>
		(0.709)	(0.984)	(0.472)	(1.516)	(1.752)	(1.575)	(1.575)
BCG-PG361	PG36	<b>20.0</b>	<b>26.0</b>	<b>9.0</b>	<b>48.0</b>	<b>55.5</b>	<b>50.0</b>	<b>50.0</b>
		(0.787)	(1.024)	(0.354)	(1.89)	(2.185)	(1.969)	(1.969)
BCG-PG361-L	PG36	<b>20.0</b>	<b>26.0</b>	<b>14.0</b>	<b>48.0</b>	<b>55.5</b>	<b>50.0</b>	<b>50.0</b>
		(0.787)	(1.024)	(0.551)	(1.89)	(2.185)	(1.969)	(1.969)
BCG-PG362 (cULus)	PG36	<b>22.0</b>	<b>32.0</b>	<b>9.0</b>	<b>48.0</b>	<b>55.5</b>	<b>50.0</b>	<b>50.0</b>
		(0.866)	(1.26)	(0.354)	(1.89)	(2.185)	(1.969)	(1.969)
BCG-PG362-L (cULus)	PG36	<b>22.0</b>	<b>32.0</b>	<b>14.0</b>	<b>48.0</b>	<b>55.5</b>	<b>50.0</b>	<b>50.0</b>
		(0.866)	(1.26)	(0.551)	(1.89)	(2.185)	(1.969)	(1.969)
BCG-PG421	PG42	<b>25.0</b>	<b>31.0</b>	<b>12.0</b>	<b>49.0</b>	<b>64.0</b>	<b>58.0</b>	<b>58.0</b>
		(0.984)	(1.22)	(0.472)	(1.929)	(2.52)	(2.283)	(2.283)
BCG-PG421-L	PG42	<b>25.0</b>	<b>31.0</b>	<b>16.0</b>	<b>49.0</b>	<b>64.0</b>	<b>58.0</b>	<b>58.0</b>
		(0.984)	(1.22)	(0.63)	(1.929)	(2.52)	(2.283)	(2.283)
BCG-PG422 (cULus)	PG42	<b>30.0</b>	<b>38.0</b>	<b>12.0</b>	<b>49.0</b>	<b>64.0</b>	<b>58.0</b>	<b>58.0</b>
		(1.181)	(1.496)	(0.472)	(1.929)	(2.52)	(2.283)	(2.283)
BCG-PG422-L (cULus)	PG42	<b>30.0</b>	<b>38.0</b>	<b>16.0</b>	<b>49.0</b>	<b>64.0</b>	<b>58.0</b>	<b>58.0</b>
		(1.181)	(1.496)	(0.63)	(1.929)	(2.52)	(2.283)	(2.283)
BCG-PG481	PG48	<b>29.0</b>	<b>35.0</b>	<b>14.0</b>	<b>52.5</b>	<b>70.0</b>	<b>64.0</b>	<b>64.0</b>
		(1.142)	(1.378)	(0.551)	(2.067)	(2.756)	(2.52)	(2.52)
BCG-PG481-L	PG48	<b>29.0</b>	<b>35.0</b>	<b>18.0</b>	<b>52.5</b>	<b>70.0</b>	<b>64.0</b>	<b>64.0</b>
		(1.142)	(1.378)	(0.709)	(2.067)	(2.756)	(2.52)	(2.52)
BCG-PG482 (cULus)	PG48	<b>34.0</b>	<b>44.0</b>	<b>14.0</b>	<b>52.5</b>	<b>70.0</b>	<b>64.0</b>	<b>64.0</b>
		(1.339)	(1.732)	(0.551)	(2.067)	(2.756)	(2.52)	(2.52)
BCG-PG482-L (cULus)	PG48	<b>34.0</b>	<b>44.0</b>	<b>18.0</b>	<b>52.5</b>	<b>70.0</b>	<b>64.0</b>	<b>64.0</b>
		(1.339)	(1.732)	(0.709)	(2.067)	(2.756)	(2.52)	(2.52)

Bold numbers are metric, parenthesis numbers are inches.  
 Note: Product must be installed in accordance with applicable national and local electrical codes.

Part number information:



Brass Cable Gland 6-12mm  
 M20X1.5 (12mmTL)

