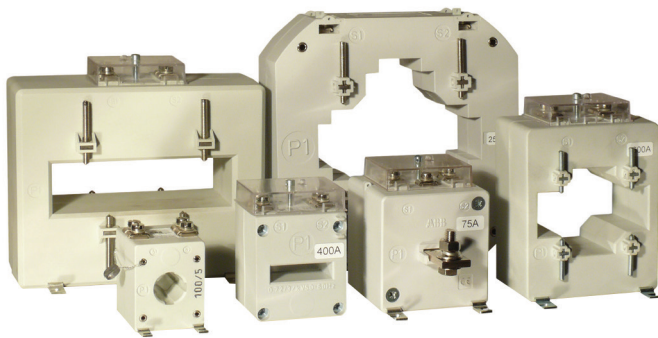


Low voltage current transformers



Low voltage current transformers are intended for supplying measuring instruments and protection circuits of electrical power devices with a maximum operating voltage of 0.72 kV and frequency of 50 Hz (or 60 Hz after prior arrangement with the manufacturer).

Transformers are supplied with accessories which help to install and secondary terminal cover with possibility of sealing. Wide range of types help to chose right products based on dimensions and electrical parameters.

General data

Rated data		Values
Highest voltage for equipment	[kV]	0,72
Rated power-frequency withstand voltage (r.m.s.)	[kV]	3
Rated lightning impulse withstand voltage (peak)	[kV]	-
Rated primary current I_{pn}	[A]	1-5000*
Rated lightning impulse withstand voltage (peak) I_{th}	[kA]	60x I_{pn} (max 100 kA)
Accuracy class		0,2; 0,2S; 0,5; 0,5S; 1; 3; 5; 5P5; 5P10
Burden	[VA]	1-120*
Rated secondary current I_{sn}	[A]	5; 1
Security factor FS		5; 10
Extension		120%
Rated frequency	[Hz]	50; 60
Insulation class		E**
Working temperature	[°C]	-25...+55
Standards		PN-EN, IEC***

* depends on type and accuracy class

** IMSa, IMSb, IMPa, IMPb - insulation class A

*** other standards based on agreement with manufacturer

Other technical data available in catalogue.

Inquiry, order

Inquiry or order should consist following information:

- 1) quantity,
- 2) type,
- 3) ratio I_{pn}/I_{sn} (A),
- 4) burden (VA),
- 5) accuracy class,
- 6) security factor FS,
- 7) other specific requirements like dimensions or inner dimensions.

Order example:

IMW 300/5; 5 VA; class 0,5; FS5; 30 pcs.

Warning: CT selections is described in catalogue.

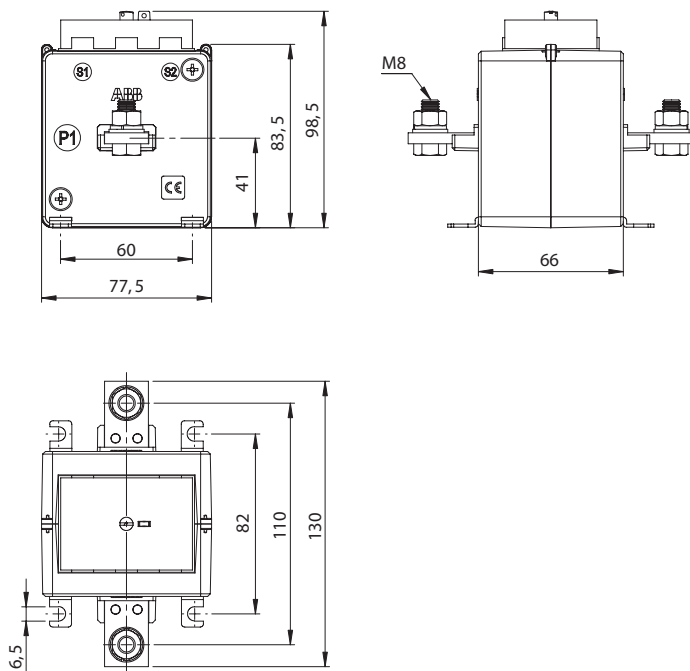
Type description

Type		IMSa	IM Sb	IMSc	IM Sd	ISWb	ISWb2	ISWc	ISWd1	ISWd2	ISWe	ISWf
Dimensions [mm]	width	60	80	100	184	100	100	60	100	100	170	129
	depth	50	44	52	46	55	48	30; 40; 50	40; 55	55	42; 62	60
	height	84	98	127	194	100	123	90	141	141	164	170
Window [mm]	busbar	40x10	60x10	80x10	120x30 100x50	60x30	75x30	40x10	80x10	80x30	120x30	100x55
	cable	-	-	-	86	48	-	30	55	55	-	70
Primary current [A]		150-600	400-1000	400-1600	500-5000	200-1600	500-1200	75-500	250-1000	1000-1600	400-4000	500-2500

Type		ISWg	ISWh1	ISWh2	IMPa	IMPb	IMR0	IMR1a	IMR1b	IMR2	IMW
Dimensions [mm]	width	88	85	85	74	74	44	60	60	75	77,5
	depth	60	40; 60	40; 60	45	45	50	32	32	44	66
	height	130	100	100	95	95	65	72	72	98	97

Window [mm]			60x10 50x30	-	20x10	30x10	20x5	20x10	25x10	40x10	20x5 Busbar included
Primary current [A]	busbar	60x30	50x30	-	20x10	30x10	20x5	20x10	25x10	40x10	20x5
	cable	46	-	45	20	30	18	18	23	30	-

Dimensional drawings – IMW



Dimensional drawings - ISWb

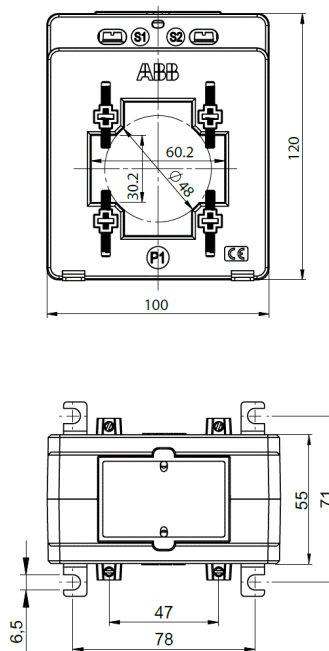


ABB Contact Center
Phone: +48 22 22 37 777
e-mail: kontakt@pl.abb.com

ABB Sp. z o.o.
Branch in Przasnysz
59 Leszno Str.
06-300 Przasnysz, Poland
Phone: +48 22 22 38 900
Fax: +48 22 22 38 950

We reserve the right to make technical changes or modify the contents of this document without prior notice. With regard to purchase orders, the agreed particulars shall prevail. ABB AG does not accept any responsibility whatsoever for potential errors or possible lack of information in this document.

We reserve all rights in this document and in the subject matter and illustrations contained therein. Any reproduction, disclosure to third parties or utilization of its contents – in whole or in parts – is forbidden without prior written consent of ABB AG. Copyright © 2017 ABB
All rights reserved