

We reserve all rights in this document and in the information contained therein. Reproduction, use or disclosure to third parties without express authority is strictly forbidden. © ABB 19

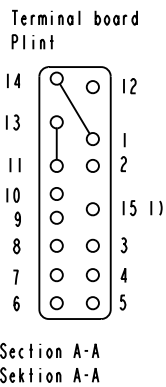
Pos. Läge	R connects förbinder	H connects förbinder
1	12-13	1-15
2		2-15
3		3-15
4		4-15
5		5-15
6		6-15
7		7-15
8		8-15
9		9-15
10		10-15
11A		11-15
11	12-14	12-15
11B		1-15
11C		2-15
12		3-15
13		4-15
14		5-15
15		6-15
16		7-15
17		8-15
18		9-15
19	10-15	
20	11-15	
21		

A position with letter is a through position and gives the same voltage as the normal position.

Läge med bokstav är ett genomslagsläge och ger samma spänning som normalläget.

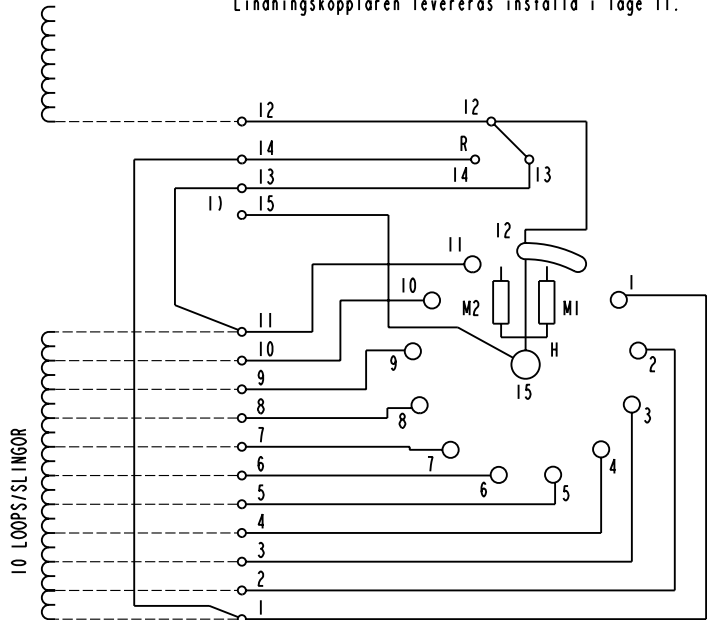
1) Connections between the terminals 15 of the three phases are included in the star-point type.

Förbindningar mellan uttag 15 i de tre faserna ingår i nollpunktsutförandet.



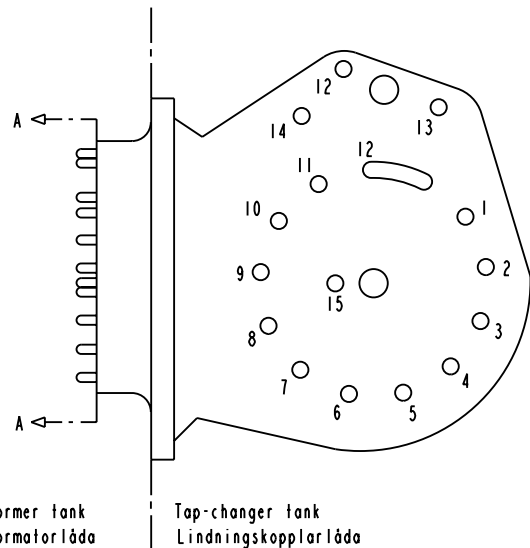
On-load tap-changer type UZER., UZFR., 21 tap positions, plus/minus switching.
Max effective No. of turns in pos. 1.
The tap-changer is delivered set in pos. 11.

Lindningskopplare typ UZER., UZFR., 21 lägen, plus/minus-koppling.
Max antal effektiva varv i läge 1.
Lindningskopplaren levereras inställd i läge 11.



The tap-changer is shown in pos. 11
Lindningskopplaren visad i läge 11

R Change-over selector
Plus/minus-omkopplare
H Main contact
Huvudkontakt
M1, M2 Transition contacts
Motståndskontakter



Sheet	Cont
Year	Week
Dept	
Rev	Revision
Appd	Year Week
Accepted for prod by	Description (English)
Design checked by	Description (own language)
Drawn by	Lang
Issued by	Year Week
Dept	Sheet
Year Week	Cont



Asea Brown Boveri

5492 0394-7

DATA ORIGINAL

File name
0394-7

Lang

Sheet

1

Rev

Cont