




Metallic Systems

S Fitting Type B



Technical Characteristics

Conforms to	BSI Kitemark KM-35161 Low voltage directive Inherent Low Fire Hazard		
Approvals and Standards	 		
Degree of mechanical protection	Very High		
Degree of protection	IP40 - with all Adaptasteel Inherent Low Fire Hazard conduit in the series		
UV protection	Very High		
Fitting characteristics		Straight fitting - swivel external male thread	
Application	For insertion into threaded entries & knockouts using a locknut		
Normal operating temperature range	Application	Min Temp	Max Temp
	Static	- 50°C	+350°C
	Dynamic	- 45°C	+250°C
For use with - Conduit Series	Type S and SS		

Fire performance	Test Standard	Performance Rating
	EN45545	ILFH
	NFF16-101	ILFH
	LUL-1085	ILFH
	BS6855	ILFH
	DIN 5510-2	ILFH



Testing data	Click or See page 4
--------------	---------------------

Type of material	Nickel Plated Brass
------------------	---------------------



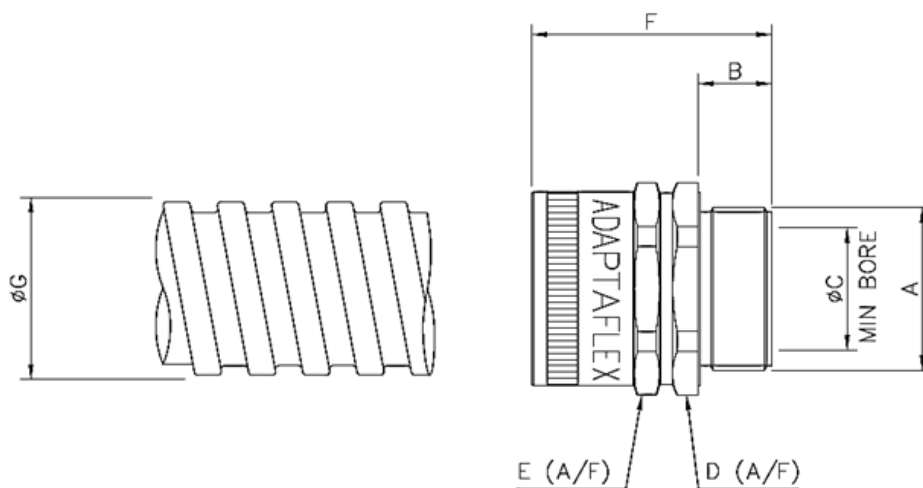
Metallic Systems

S Fitting Type B



Dimensional Data

Part No	Thread A	Nominal Dimensions (mm)					Nominal Conduit - \varnothing G (mm)
		B	C	D	E	F	
S10/M12/B	M10 x 1.0	8.0	5.5	14.0	14.0	29.2	10.0
S12/M16/B	M16 x 1.5	8.0	7.5	17.0	17.0	29.5	12.0
S16/M16/B	M16 x 1.5	8.3	10.2	20.0	20.0	31.6	16.0
S16/M20/B	M20 x 1.5	9.0	10.2	20.0	20.0	32.4	16.0
S20/M20/B	M20 x 1.5	10.0	14.5	24.0	24.0	33.9	20.0
S25/M25/B	M25 x 1.5	12.0	16.9	30.0	30.0	46.0	25.0
S32/M32/B	M32 x 1.5	14.0	24.1	38.0	38.0	47.0	32.0
S40/M40/B	M40 x 1.5	15.0	30.8	50.0	50.0	55.7	40.0
S50/M50/B	M50 x 1.5	15.0	42.5	66.5	66.5	57.9	50.0



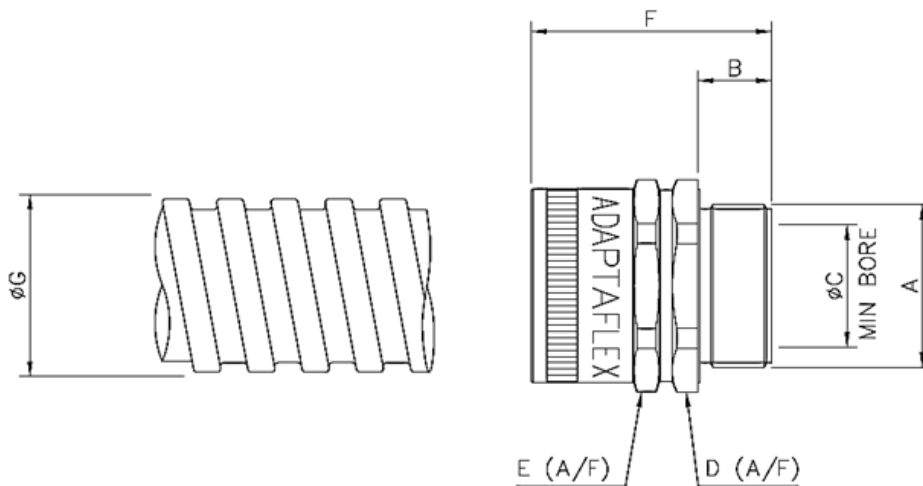
Metallic Systems

S Fitting Type B



Dimensional Data

Part No	Thread A	Nominal Dimensions (mm)					Nominal Conduit - \varnothing G (mm)
		B	C	D	E	F	
S10/PG7/B	PG7	8.0	4.1	14.0	14.0	29.0	10.0
S12/PG9/B	PG9	7.8	7.5	17.0	16.8	29.5	12.0
S16/PG11/B	PG11	9.0	10.2	20.0	20.0	32.4	16.0
S20/PG16/B	PG16	10.0	14.5	24.0	24.0	33.9	20.0
S25/PG21/B	PG21	12.0	16.9	30.0	30.0	46.0	25.0
S32/PG29/B	PG29	14.0	24.1	38.0	38.0	47.0	32.0
S40/PG36/B	PG36	15.0	30.8	50.0	50.0	55.7	40.0
S50/PG42/B	PG42	15.0	42.5	66.5	66.5	57.9	50.0



Metallic Systems

S Fitting Type B



Chemical Resistance Chart

Key:

Suitable :



Limited Suitability :



Unsuitable :



Not Tested :



Astm No.1	Diesel oil	Methyl Bromide	Sulphur Dioxide (Gas)
Astm No.2	Diethylamine	MEK	Sulphuric Acid (10%)
Astm No.3	Ethanol	Nitric Acid (10%)	Sulphuric Acid (70%)
Acetic Acid (10%)	Ether	Nitric Acid (70%)	Toluene
Acetone	Ethylamine	Oxalic Acid	Transformer Oil
Aluminium Chloride	Ethylene Glycol	Ozone (Gas)	1,1,1-Trichloroethane
Aniline	Ethyl Ethanoate	Paraffin oil	Trichloroethylene
Benzaldehyde	Freon 32	Petrol	Turpentine
Benzene	Hydrochloric Acid (10%)	Phenol	Vegetable Oil
Carbon tetrachloride	Hydrochloric Acid (36%)	Sea Water	Vinyl Acetate
Chlorine water	Hydrogen Peroxide (35%)	Silver Nitrate	Water
Chloroform	Hydrogen Peroxide (87%)	Skydrol	White Spirit
Citric Acid	Lactic Acid	Sodium Chloride	Zinc Chloride
Copper Sulphate	Lubricating oil	Sodium Hydroxide (10%)	
Cresol	Methanol	Sodium Hydroxide (60%)	

The information above is given as a guide only and is based on published technical data and experience. The chemical resistance of the above products is dependant on factors such as chemical exposure, concentration of the chemical and temperature. The above chemicals are valid for a temperature of 23°C. Use of the above table is at the users own discretion and risk. Those using it must satisfy themselves that their application presents no health and safety risks. The end user should assess compatibility with their application and contact Thomas & Betts for further information.

ADHERENCE TO THE CURRENT WIRING REGULATIONS BS7671 OR NEC WIRING REGULATIONS (FOR USA) IS STRONGLY ADVISED.
MINIMUM BEND RADIUS FOR FLEXING IS DEPENDANT UPON MINIMUM TEMPERATURE, BENDING FREQUENCY AND CHEMICAL ENVIRONMENT.

Thread Data

Metric	Standard thread conforming to EN60423 & BS3643			PG	German Standard thread conforming to DIN40430		
	Ext Thread Outside Diameter	Int Thread Inside Diameter	Pitch		Thread Size	Ext Thread Outside Diameter	Int Thread Inside Diameter
M10	10.0	8.9	1.0	PG7	12.5	11.3	1.27
M12	12.0	10.4	1.5	PG9	15.2	13.9	1.41
M16	16.0	14.4	1.5	PG11	18.6	17.3	1.41
M20	20.0	18.4	1.5	PG13.5	20.4	19.1	1.41
M25	25.0	23.4	1.5	PG16	22.5	21.2	1.41
M32	32.0	30.4	1.5	PG21	28.3	26.8	1.59
M40	40.0	38.4	1.5	PG29	37.0	35.5	1.59
M50	50.0	48.4	1.5	PG36	47.0	45.5	1.59
M63	63.0	61.4	1.5	PG42	54.0	52.2	1.59
M75	75.0	73.4	1.5	PG48	59.3	57.8	1.59