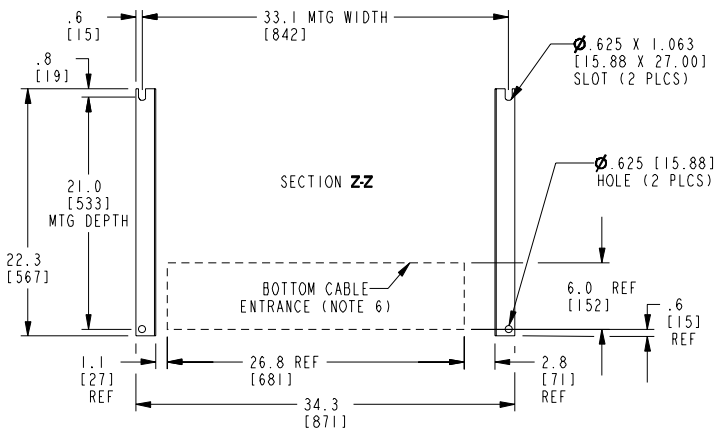
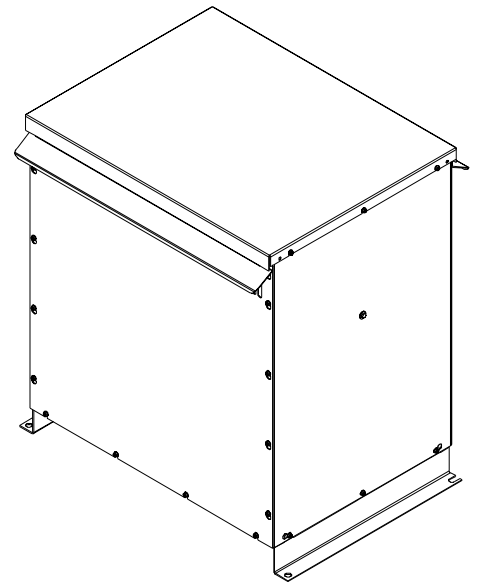
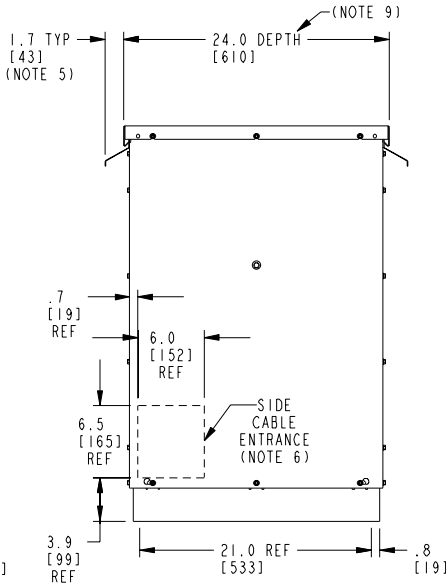
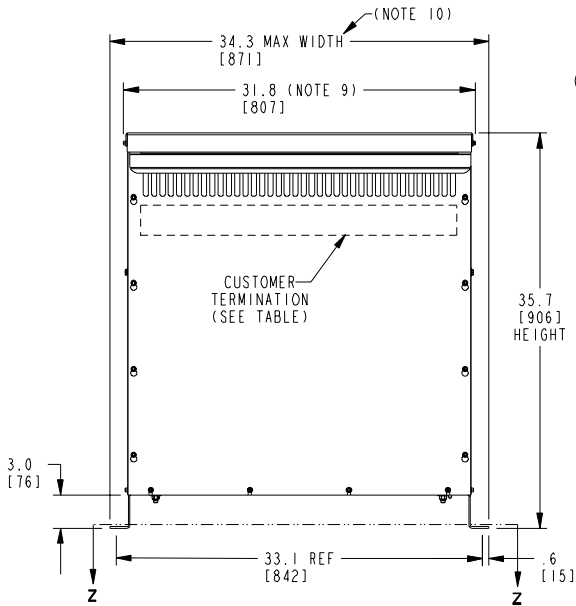


**FRONT VIEW**

**SIDE VIEW**

**ISOMETRIC VIEW**



**BOTTOM VIEW OF MOUNTING AND CABLE ENTRANCE**

CUSTOMER TERMINATION			
LOCATION	CONNECTION TYPE	HOLE SIZE	HOLE QTY
PRIMARY BUS BARS	STANDARD BUS BAR (LUGS ARE OPTIONAL)	.40 [10.2] DIA	2 PER BUS BAR
SECONDARY BUS BARS			

**APPROX TOTAL WEIGHT LBS [KG]**  
**PAINTED:** 513 [233]  
**STAINLESS STEEL:** 518 [235]

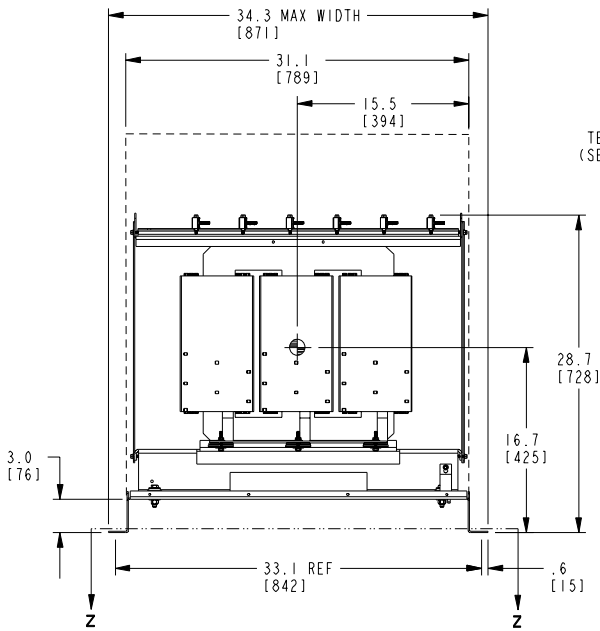
**kVA RATING:**  
**K-FACTOR:**  
**PRI VOLTAGE:**  
**SEC VOLTAGE:**  
**FREQ (Hz):**  
**TEMP RISE:**  
**WINDING MATL:**  
**ES SHIELD:**  
**SOUND LVL (dB):**

**NOTES:**

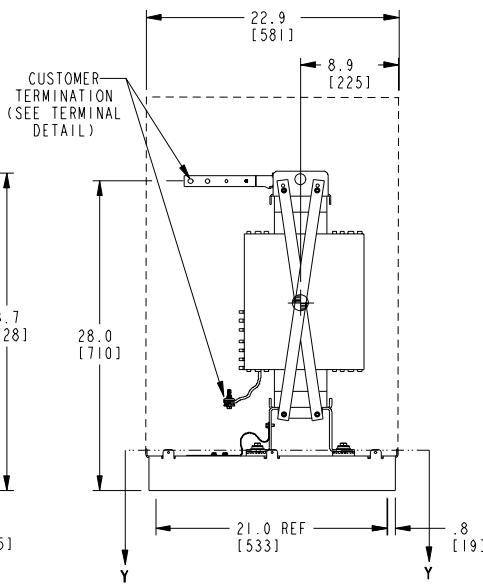
- 1) ALL UNITS ARE UL LISTED AND ARE DESIGNED PER NEMA ST-20 STANDARDS.
- 2) THE TEMPERATURE RISE LISTED WAS DETERMINED WHEN THE TRANSFORMER WAS MOUNTED IN A STANDARD NEMA-2 ENCLOSURE.
- 3) TRANSFORMER IS DESIGNED FOR FLOOR MOUNTING. OPTIONAL WALL MOUNTING BRACKETS ARE AVAILABLE.
- 4) TRANSFORMER IS DRY TYPE, CLASS AA, WITH VENTILATED ENCLOSURE FOR INDOOR USE. OPTIONAL RAIN SHIELD KITS ARE AVAILABLE TO ADAPT UNIT FOR TYPE 3R OUTDOOR USE WITHOUT VOIDING THE WARRANTY.
- 5) APPLICABLE WHEN OPTIONAL RAIN SHIELDS ARE INSTALLED. RAIN SHIELDS ARE SHIPPED IN KITS FOR FIELD INSTALLATION.
- 6) CABLE ENTRANCE IS PERMITTED THROUGH THE LEFT SIDE, RIGHT SIDE AND/OR BOTTOM ENTRANCE ONLY. CABLE ENTRANCE IS NOT PERMITTED THROUGH THE FRONT, REAR OR TOP PANELS.
- 7) FOR LIFTING OTHER THAN WITH A FORK TRUCK, REMOVE TOP COVER AND USE 1" [25 MM] DIAMETER HOLES IN THE TOP CORE CLAMPS.
- 8) ENCLOSURE PAINT COLOR IS ANSI #61 GRAY. OPTIONAL STAINLESS STEEL ENCLOSURE IS AVAILABLE. FINISH IS #80 GRIT.
- 9) 6" [152 MM] MINIMUM CLEARANCE IS REQUIRED FROM ALL WALLS.
- 10) USE THIS DIMENSION WHEN PLANNING THE MOUNTING PAD.

<b>JOB NAME:</b>	UNLESS OTHERWISE SPECIFIED ALL DIMENSIONS ARE INCH [MM]	<b>ABB</b>	
	THIRD ANGLE PROJECTION 		
<a href="http://electrification.us.abb.com">electrification.us.abb.com</a>	SHEET 1 OF 2	CATALOG #	REV <b>2</b>
CAD DRAWING: 303B111GEUY14A			

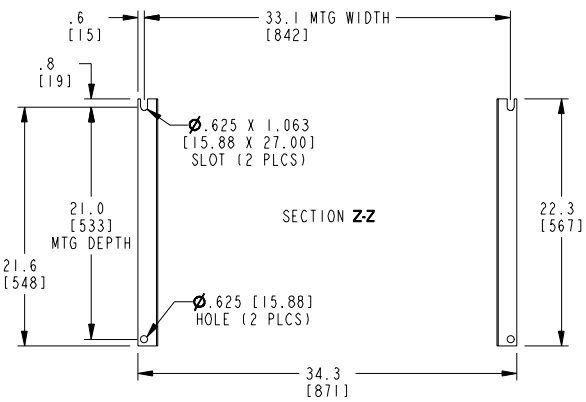
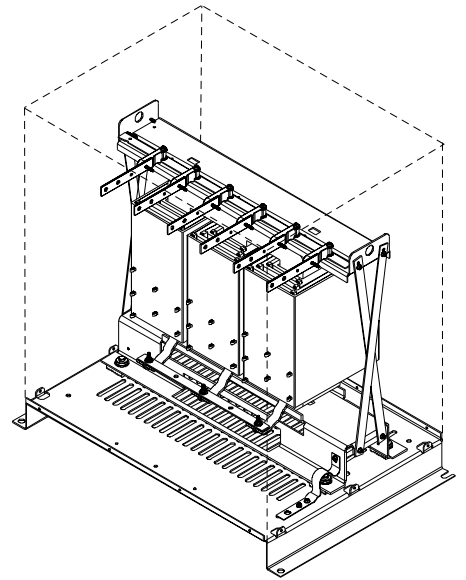
**FRONT VIEW**



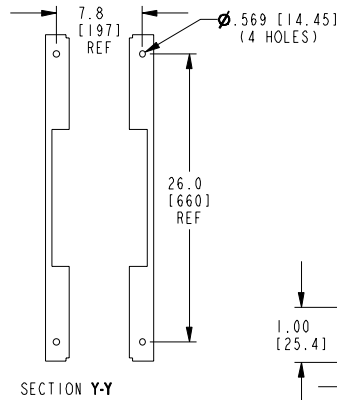
**SIDE VIEW**



**ISOMETRIC VIEW**

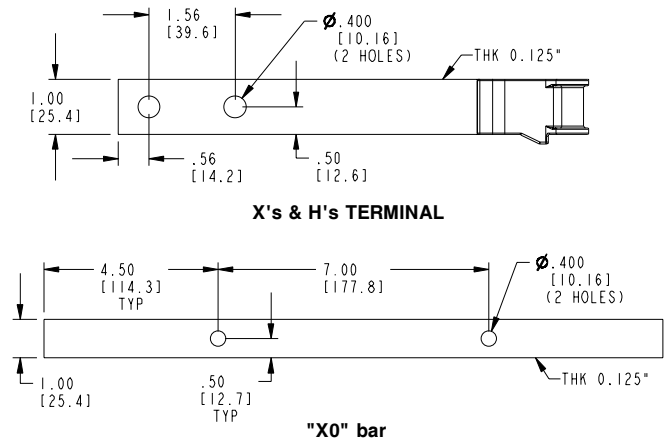


**BOTTOM VIEW OF MOUNTING HOLE PATTERN**



**BOTTOM VIEW OF MOUNTING HOLE PATTERN WITHOUT BASE ATTACHED**

**TERMINAL DETAIL**



**APPROX TOTAL WEIGHT LBS [KG]**  
**PAINTED: 439 [200]**

**kVA RATING:**  
**K-FACTOR:**  
**PRI VOLTAGE:**  
**SEC VOLTAGE:**  
**FREQ (Hz):**  
**TEMP RISE:**  
**WINDING MATL:**  
**ES SHIELD:**  
**SOUND LVL (dB):**

**NOTES:**

- 1) ALL UNITS ARE UL LISTED AND ARE DESIGNED PER NEMA ST-20 STANDARDS.
- 2) THE TEMPERATURE RISE LISTED WAS DETERMINED WHEN THE TRANSFORMER WAS MOUNTED IN A STANDARD NEMA-2 ENCLOSURE.
- 3) TRANSFORMER IS DRY TYPE, CLASS AA FOR INDOOR USE.
- 4) FOR LIFTING OTHER THAN WITH A FORK TRUCK, USE 1" [25 MM] DIAMETER HOLES IN THE TOP CORE CLAMPS.
- 5) BASE PAINT COLOR IS ANSI #61 GRAY.
- 6) 6" [152 MM] MINIMUM CLEARANCE IS REQUIRED FROM ALL WALLS.
- 7) ⊕ INDICATES APPROXIMATE CENTER OF GRAVITY.

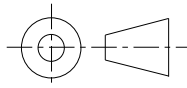
CONNECTION TYPE: STANDARD BUS BAR (LUGS ARE OPTIONAL).

**JOB NAME:**

UNLESS OTHERWISE SPECIFIED  
 ALL DIMENSIONS ARE INCH [MM]



THIRD ANGLE PROJECTION



**DRY TYPE TRANSFORMER OUTLINE DRAWING**  
**TYPE QL, 3-PHASE, DOE 2016 EFFICIENCY**  
**(CORE & COIL UNIT)**

[electrification.us.abb.com](http://electrification.us.abb.com)

CAD DRAWING: 303B111GEUY14A

SHEET 2 OF 2

CATALOG #

REV **2**