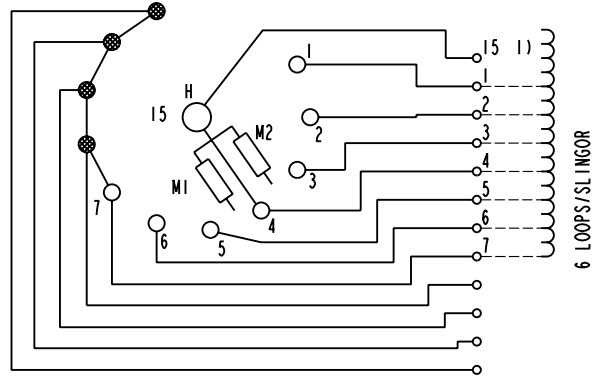


We reserve all rights in this document and in the information contained therein. Reproduction, use or disclosure to third parties without express authority is strictly forbidden. © ABB 19

Pos. Läge	H connects H förbinder
1	1 - 15
2	2 - 15
3	3 - 15
4	4 - 15
5	5 - 15
6	6 - 15
7	7 - 15

On-load tap-changer type UZEL., UZFL., 7 tap positions, linear switching.
Min. effective No. of turns in pos. 1.
The tap-changer is delivered set in pos. 4.

Lindningskopplare typ UZEL., UZFL., 7 lägen, linjär koppling.
Min. antal effektiva varv i läge 1.
Lindningskopplaren levereras inställd i läge 4.



The tap-changer is shown in pos. 4
Lindningskopplaren visad i läge 4

H Main contact M1, M2 Transition contacts
Huvudkontakt Motståndskontakter

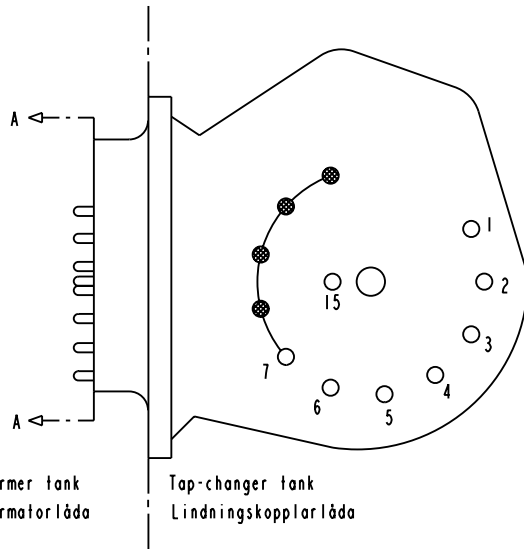
1) Connections between the terminals 15 of the three phases are included in the star-point type.

Förbindningar mellan uttag 15 i de tre faserna ingår i nollpunktsutförandet.

Terminal board
Plint



Section A-A
Sektion A-A



Sheet	Cont
Year	Week
Dept	
Rev	Ind
Design checked by	Design checked by
Drawn by	Issued by

-	-	-	-
Rev	Ind	Appd	Year Week
Accepted by qual control R. Yngvesson		Accepted for prod by	
Design checked by B-O. Stenestam		Drawn by L. Bergman	Description (English) CONNECTION DIAGRAM
Drawing checked by M. Hedlund		Issued by Dept COM/TKO	Description (own language) KOPPLINGSSHEMA
		Year 97	Week 33
		5492 0396-3	
Lang	Sheet	Rev	Cont
	1	-	-
Asea Brown Boveri			

DATA ORIGINAL

File name
0396-3

Lang

Sheet

Rev

Cont

Asea Brown Boveri