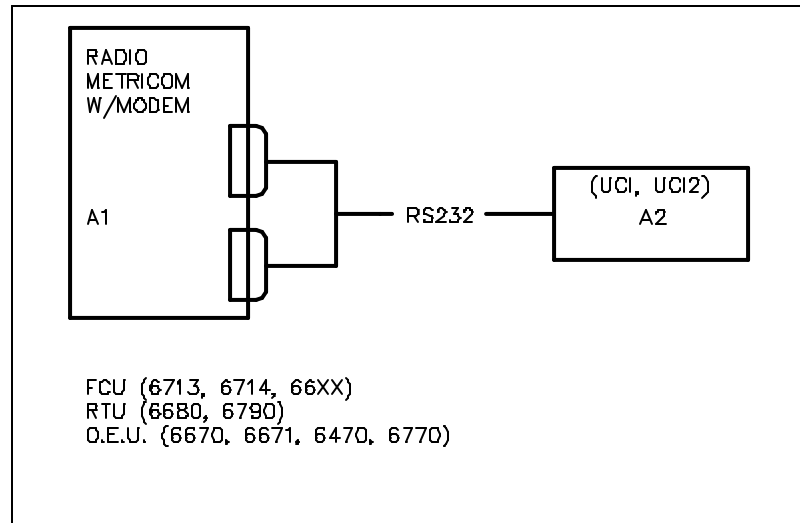


NOTES:

1. MAXIMUM BAUD RATE IS 9600 (RS232)
2. EXTERNAL POWER REQUIRED, RECEIVER MUST BE ON AT ALL TIMES.

REVISIONS					
REV	ACTION	DRAWN	CHECKED	APPROVED	DATE
AD	D4020	KASTNER	KASTNER	HOLLAND	07/08/02
AE	D6568	TIERNEY	TIERNEY	HOLLAND	08/02/08
AF	D12419	KASTNER	KASTNER	HOLLAND	01/12/12



FCU (6713, 6714, 66XX)  
 RTU (6680, 6790)  
 O.E.U. (6670, 6671, 6470, 6770)

ASSEMBLY/QUANTITY	ITEM NO.	PART NUMBER	DESCRIPTION	REF/ZONE DESIG MATERIAL	UNIT MEAS
PARTS LIST					
DO NOT SCALE DRAWING THIRD ANGLE PROJECTION 		UNLESS OTHERWISE SPECIFIED DIMENSIONS ARE IN INCHES TOLERANCES ARE: DECIMAL .XX ± --- ANGULAR ± --- .XXX ± --- BREAK ALL SHARP CORNERS AND EDGES DIMENSIONS APPLY BEFORE FINISH		PRODUCT LINE <b>TOTALFLOW</b> LEVEL <b>3</b> DESIGN G. HOLLAND DATE 05/4/24 DRAWN B. ROBERTSON 05/4/21 CHECKED WIDENER 05-5-8 APPROVED G. HOLLAND 05/4/24	
					TOTALFLOW Products
			TITLE <b>WIRING &amp; INTERCONNECT METRICOM RADIO</b> WI		
		SCALE NONE	SIZE B	PFC WI	DRAWING ID. 2015403
		REV AF	REV 1	REV 1	REV 2

