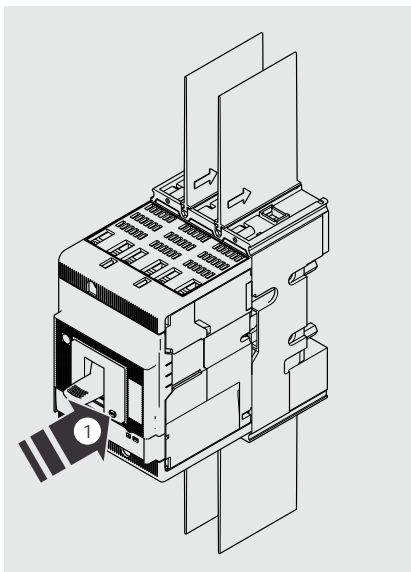


SACE Tmax XT UL

Istruzioni di installazione PF XT2 UL
 Installation instructions PF XT2 UL
 Installationsanleitung PF XT2 UL
 Instructions pour l'installation PF XT2 UL
 Instrucciones de instalación PF XT2 UL

XT2-UL/III-IV

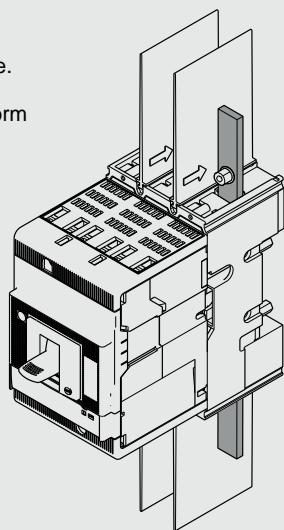


		LENGHT	M	M	M	M		
		16mm (0.63")	M4	M4	M4	M4		
P	III	x4	x4	x8	x4	x1	-	x4
	IV	x4	x4	x8	x4	x1	-	x6
W	III	x4	x4	x8	x4	-	x1	x4
	IV	x4	x4	x8	x4	-	x1	x6

A

XT2-UL/III-IV

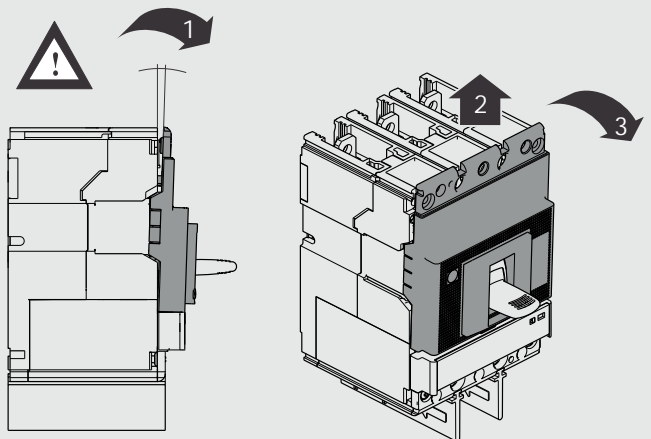
Usare cavi o barre isolate/ o eseguire prove di tipo specifiche sull' installazione.
 Use cable or insulated busbars/ or perform specific type test on the installation.
 Kabel oder isolierte Sammelschienen verwenden / oder die spezifische Typprüfung auf der Installation durchführen.
 Utiliser un câble ou des barres isolées/ ou réaliser un test de type spécifique sur installation.
 Utilizar un cable o barras aisladas / o efectuar una prueba de tipo específico sobre instalación.



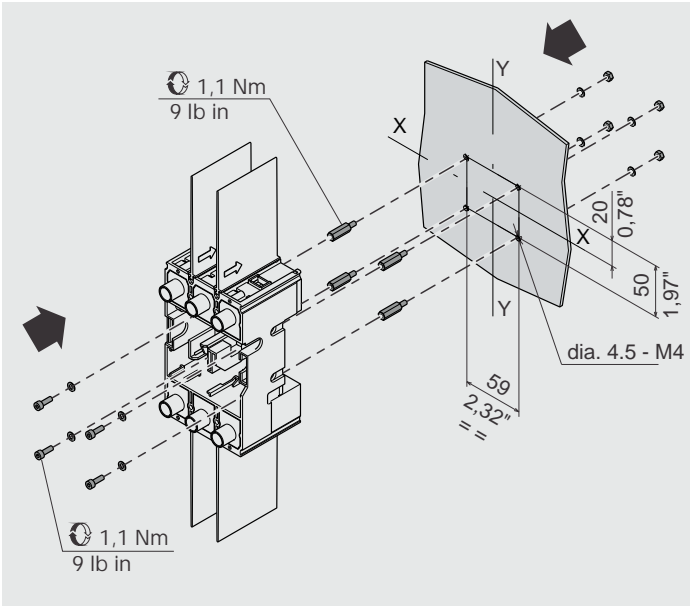
B

XT2-UL/III-IV

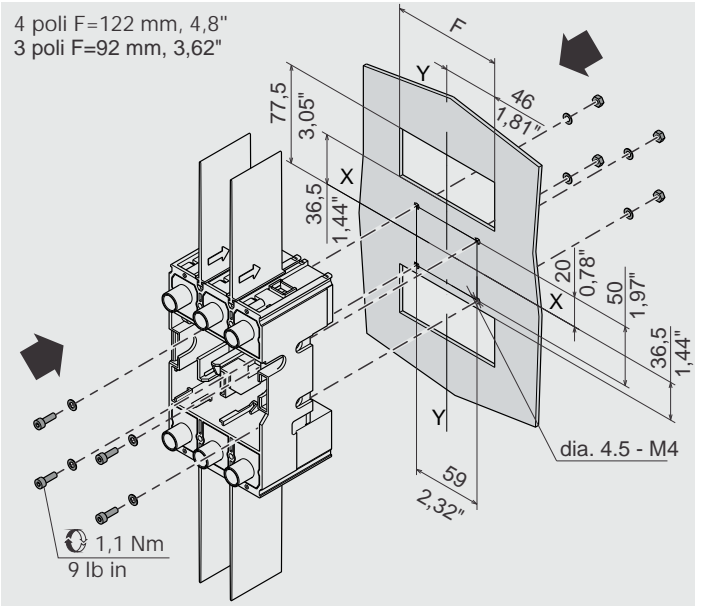
CLICK!
OK!



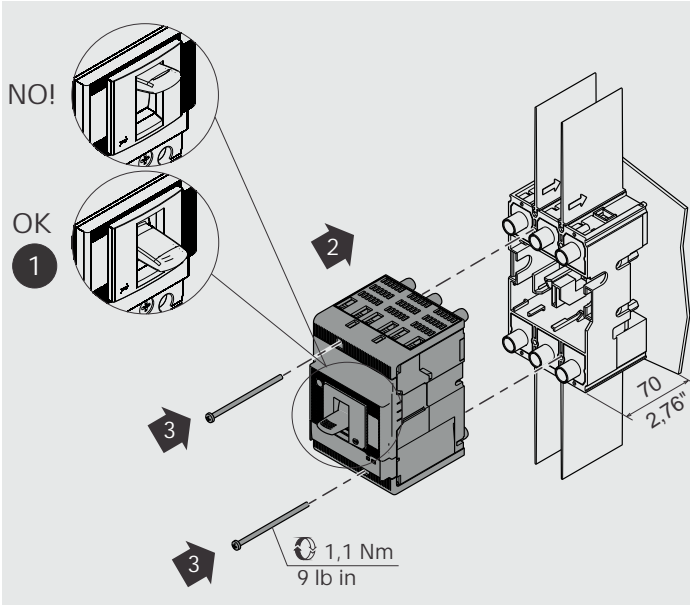
C XT2-UL/III-IV P Fixing at 70mm/2,76"



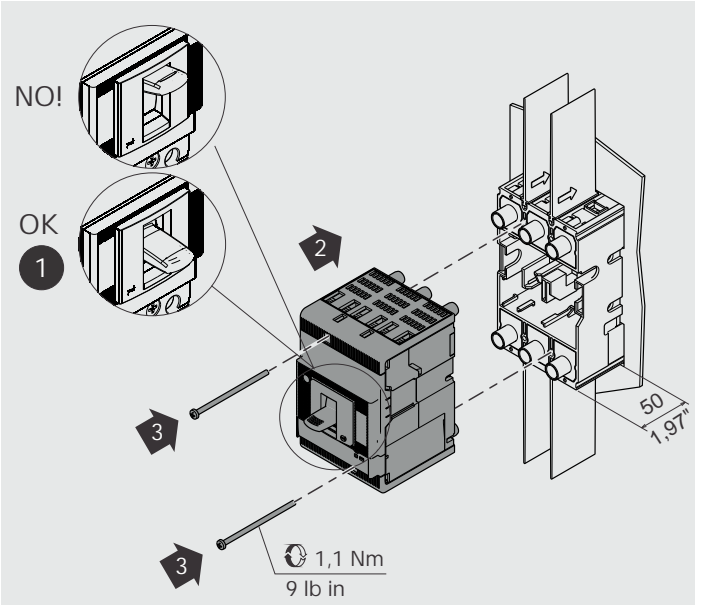
D XT2-UL/III-IV P Fixing at 50mm/1,97"



E XT2-UL/III-IV P Fixing at 70mm/2,76"



F XT2-UL/III-IV P Fixing at 50mm/1,97"

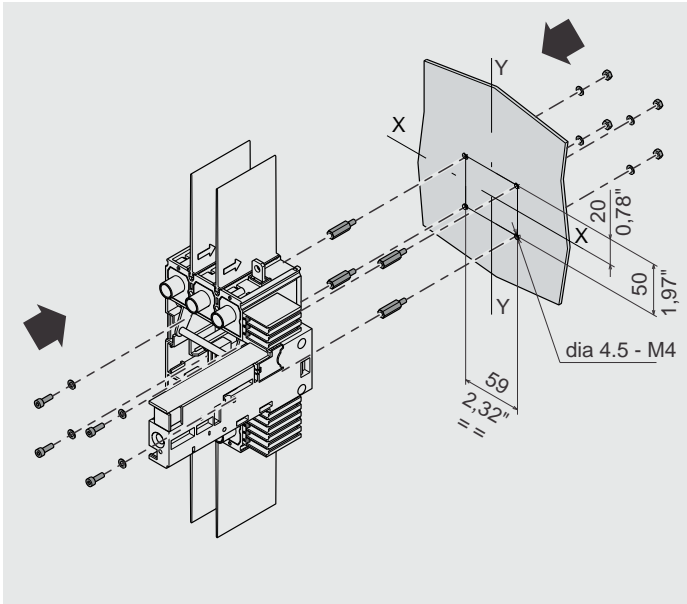


G XT2-UL/III-IV P

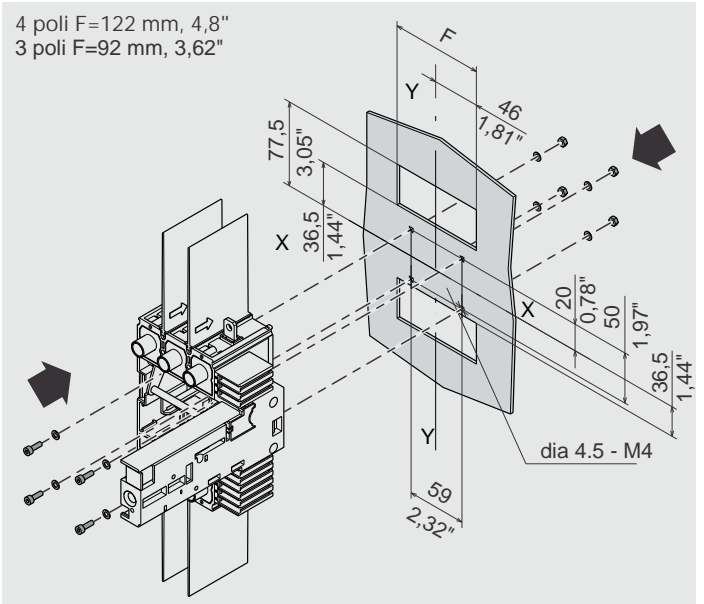
XT2 WITHOUT FLANGE SENZA MOSTRINA	A		B	C	D	E
	50/1.97"	70/2.76"				
III-IV	141,5 5,57"	161,5 6,36"	43 1,69"	47 1,85"	17 0,67"	23,5 0,93"
III	133,5 5,26"	153,5 6,04"	75 2,95"	86 3,39"	25 0,98"	43 1,69"
IV	133,5 5,26"	153,5 6,04"	75 2,95"	116 4,57"	25 0,98"	43 1,69"

XT2 WITH FLANGE CON MOSTRINA	A		B	C	D	E
	50/1.97"	70/2.76"				
III	136 5,35"	156 6,14"	83 3,27"	94 3,7"	29 1,14"	47 1,85"
IV	136 5,35"	156 6,14"	83 3,27"	124 4,88"	29 1,14"	47 1,85"

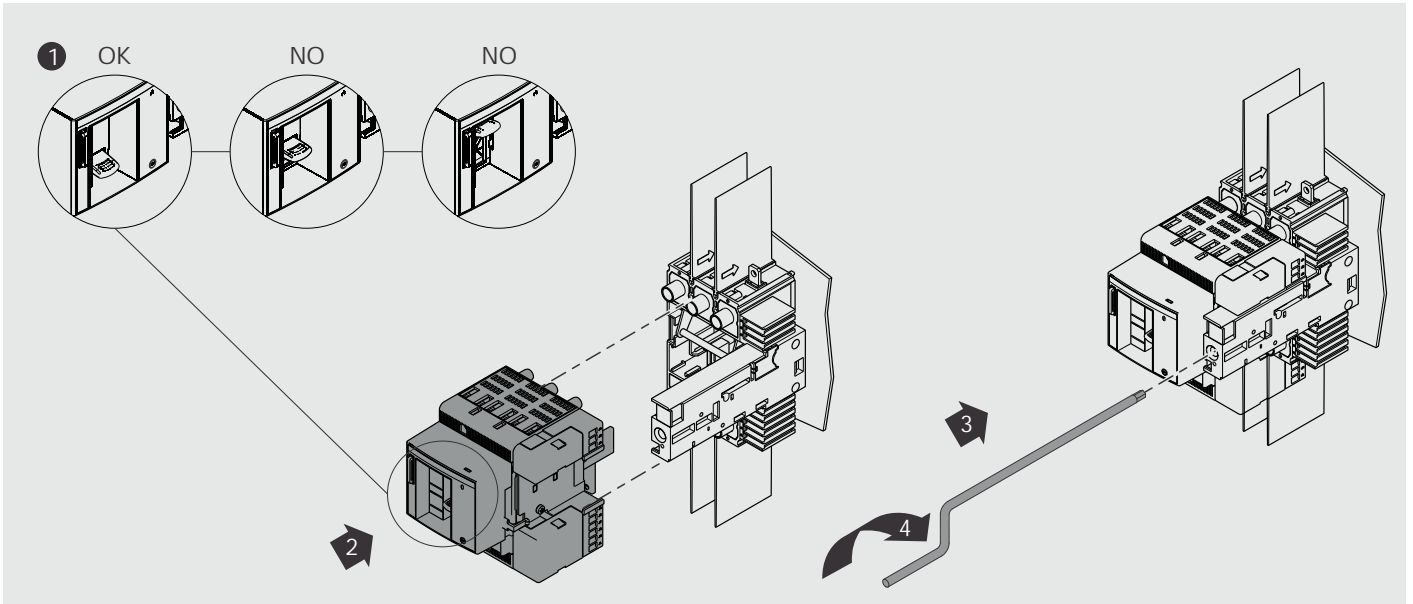
H XT2-UL/III-IV W Fixing at 70 mm/2,76"



I XT2-UL/III-IV W Fixing at 50 mm/1,97"

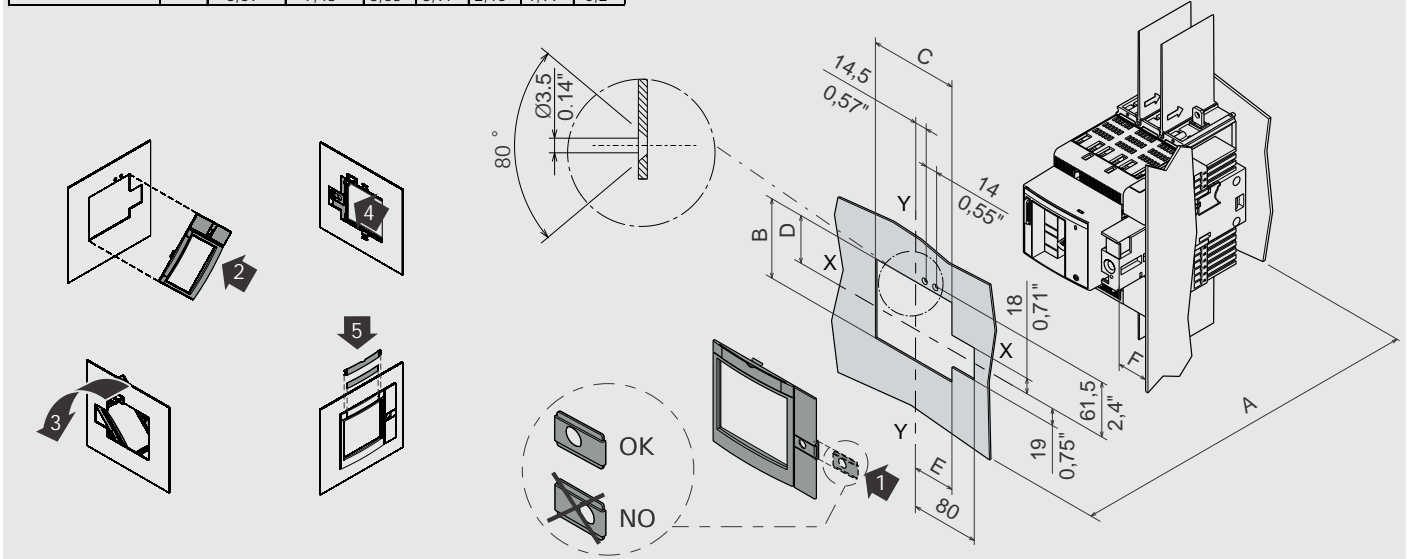


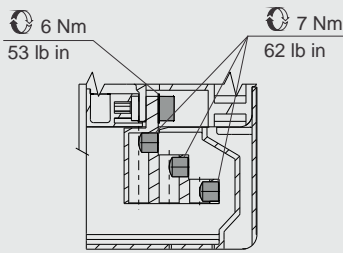
J XT2-UL/III-IV W



K XT2-UL/III-IV W

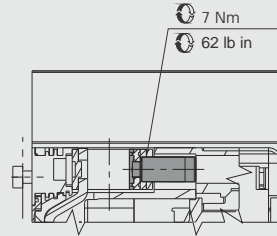
XT2 W WITH FLANGE CON MOSTRINA	III-IV	A		B	C	D	E	F
		50/1,97"	70/2,76"					
		170	190	91	101	55	50,5	5,14
		6,69"	7,48"	3,58"	3,97"	2,16"	1,99"	0,2"





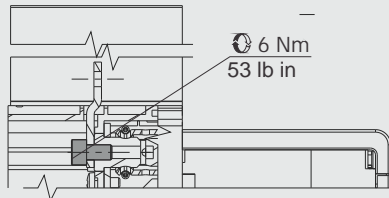
P-W /MC Cu

1SDA075901R1	3pcs
1SDA075902R1	4pcs
1SDA075903R1	6pcs
1SDA075904R1	8pcs



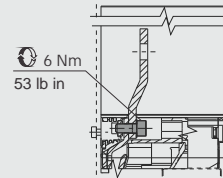
P-W/FC Cu

1SDA075877R1	3pcs	Cu wire 3÷100A
1SDA075878R1	4pcs	
1SDA075879R1	6pcs	
1SDA075880R1	8pcs	
1SDA075881R1	3pcs	Cu wire 3÷125A
1SDA075882R1	4pcs	
1SDA075883R1	6pcs	
1SDA075884R1	8pcs	



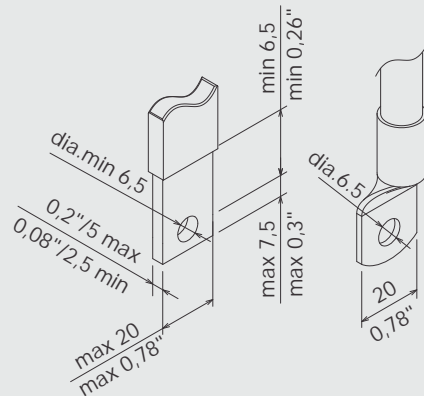
P-W/EF

1SDA066869R1	3pcs
1SDA066870R1	4pcs
1SDA066871R1	6pcs
1SDA066872R1	8pcs



P-W/ES

1SDA066893R1	3pcs
1SDA066894R1	4pcs
1SDA066895R1	6pcs
1SDA066896R1	8pcs



	FC Cu		MC Cu	
	MAX	MIN	MAX	MIN
Stranded	1/0 AWG	14 AWG	2 AWG	14 AWG
Flexible	X		X	

For copper wire only For copper wire only

Per V>480 l'alimentazione è solo dall'alto.
Power supply is only from above for >480V
Für V>480 erfolgt die Einspeisung nur von oben
Pour V>480 l'alimentation est seulement par le haut
Para V>480 la alimentación es sólo desde arriba

Sul sito web:
On the website:
Zur Website:
Sur le site web:
En el sitio web:

<http://www.abb.com/abblibrary/DownloadCenter>

sono disponibili i seguenti disegni:
the following drawings are available:
folgenden Zeichnungen sind lieferbar:
sont disponibles es dessins suivants:
los siguientes módulos está disponibles:

[1SDH000721R0105](#) - P-ES III-IV
[1SDH000721R0107](#) - P-FcCu - Mc III-IV
[1SDH000721R0108](#) - P-EF III-IV
[1SDH000721R0110](#) - W-ES III-IV
[1SDH000721R0112](#) - W-FcCu - Mc III-IV
[1SDH000721R0113](#) - W-EF III-IV

For more information please contact:

ABB S.p.A.
ABB SACE Division
Via Pescaria, 5
24123 Bergamo - Italy
Phone: +39 035 395 111