

PowerCube PB

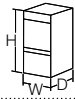
Preassembled modules for medium voltage switchgear

- Modular structure
- Mechanical and electromechanical safety locks to prevent incorrect operations
- Metallic shutters with fail safe device (prevention of manual opening)
- Circuit-breaker/contactor racking in / out with door closed
- Gas insulated circuit-breakers and vacuum circuit-breakers and contactors can be installed
- Version with earthing switch with making capacity
- Earthing switch fitted with interlocks with the circuit-breaker



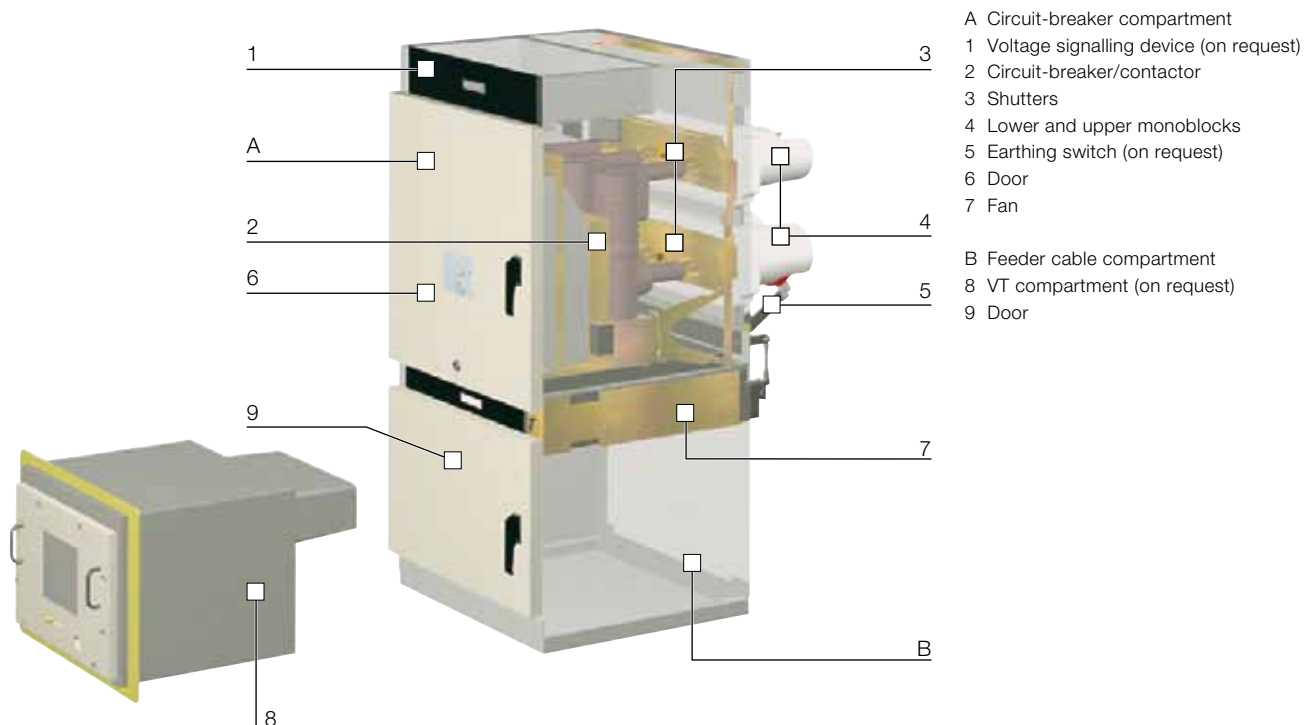
PowerCube PB

Technical data PB/M

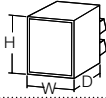
PowerCube		PB/M	PB/M	PB/M	PB/M	
Rated voltage	[kV]	12	17.5	24	36	
Rated insulation voltage	[kV]	12	17.5	24	36	
Withstand voltage (50 Hz)	[kV]	28	38	50	70	
Impulse withstand voltage	[kV]	75	95	125	170	
Rated frequency	[Hz]	50-60	50-60	50-60	50-60	
Rated normal current (40 °C)	[A]	630	630	630	630	
		1250	1250	1250	1250	
		1600	1600	1600	1600	
		2000	2000	2000	2000	
		2500	2500	2500 (1)	2500 (1)	
		3150	3150	-	-	
		3600 (1)	3600 (1)	-	-	
		4000 (1)	4000 (1)	-	-	
Rated short-time withstand current (3 s)	[kA]	25-31.5-40-50 (2)	25-31.5-40-50 (2)	25-31.5	25 (3s)-31.5 (1s)	
Overall dimensions (excluding monoblocs)		H [mm]	1680	1680	1680	2034
		W [mm]	600/750/1000	600/750/1000	750/1000	1000
		D [mm]	1030	1030	1030	920
Weight	[Kg]	120	450	320	ask ABB	
Degree of protection		IP 3X	IP 3X	IP 3X	IP 3X	
Compatible circuit-breakers and contactors						
- HD4		•	•	•	•	
- VD4		•	•	•	-	
- V-Contact (module width 600 mm)		•	-	-	-	
Technical catalogue	No.	1VCP000091	1VCP000091	1VCP000091	1VCP000178	

(1) With forced ventilation using fan built into the enclosure (for 4000 A another fan must be installed in the rear part of the switchgear),
 (2) 25-31.5 kA for PowerCube module width 600 mm.

Main components

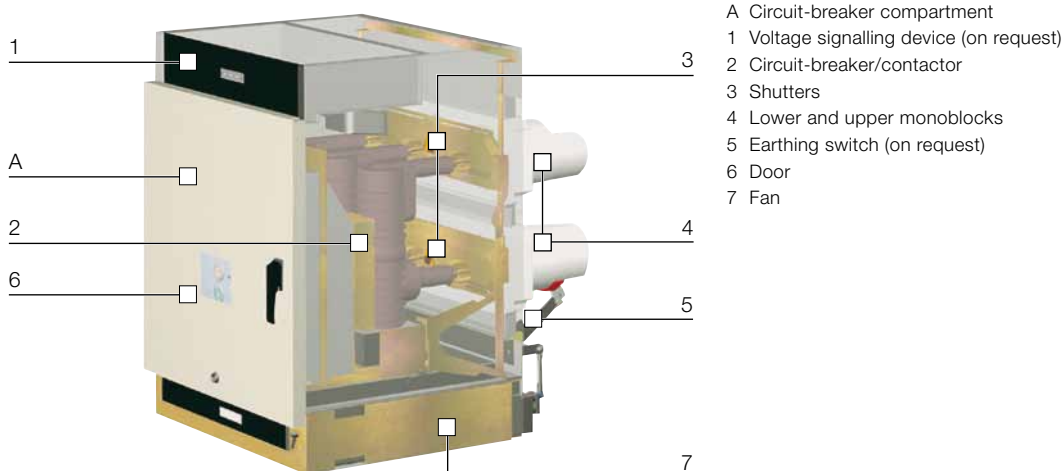


Technical data PB/E

PowerCube		PB/E	PB/E	PB/E	
Rated voltage	[kV]	12	17.5	24	
Rated insulation voltage	[kV]	12	17.5	24	
Withstand voltage (50 Hz)	[kV]	28	38	50	
Impulse withstand voltage	[kV]	75	95	125	
Rated frequency	[Hz]	50-60	50-60	50-60	
Rated normal current (40 °C)	[A]	630	630	630	
		1250	1250	1250	
		1600	1600	1600	
		2000	2000	2000	
		2500	2500	2500 (1)	
		3150	3150	-	
		3600 (1)	3600 (1)	-	
Rated short-time withstand current (3 s)	[kA]	4000 (1)	4000 (1)	-	
		25-31.5-40-50 (2)	25-31.5-40-50 (2)	25-31.5	
Overall dimensions (excluding monoblocs)		H [mm]	1120	1120	1230
		W [mm]	600/750/1000	600/750/1000	750/1000
		D [mm]	1016/1030	1016/1030	1246
Weight	[Kg]	120	450	320	
Degree of protection		IP 3X	IP 3X	IP 3X	
Compatible circuit-breakers and contactors					
- HD4		•	•	•	
- VD4		•	•	•	
- V-Contact (module width 600 mm)		•	-	-	
Technical catalogue	No.	1VCP000091	1VCP000091	1VCP000091	

(1) With forced ventilation using fan built into the enclosure (for 4000 A another fan must be installed in the rear part of the switchgear).
 (2) 25-31.5 kA for PowerCube module width 600 mm.

Main components



For more information please contact:

ABB S.p.A.

Power Products Division

Unità Operativa Sace-MV

Via Friuli, 4

I-24044 Dalmine

Tel.: +39 035 6952 111

Fax: +39 035 6952 874

E-mail: sacetms.tipm@it.abb.com

ABB AG

Calor Emag Medium Voltage Products

Oberhausener Strasse 33 Petzower Strasse 8

D-40472 Ratingen

D-14542 Glindow

Phone: +49(0)2102/12-1230,

Fax: +49(0)2102/12-1916

E-mail: calor.info@de.abb.com

www.abb.com

The data and illustrations are not binding. We reserve the right to make changes without notice in the course of technical development of the product.

Copyright 2009 ABB.
All rights reserved.