

1

2

3

4

5

6

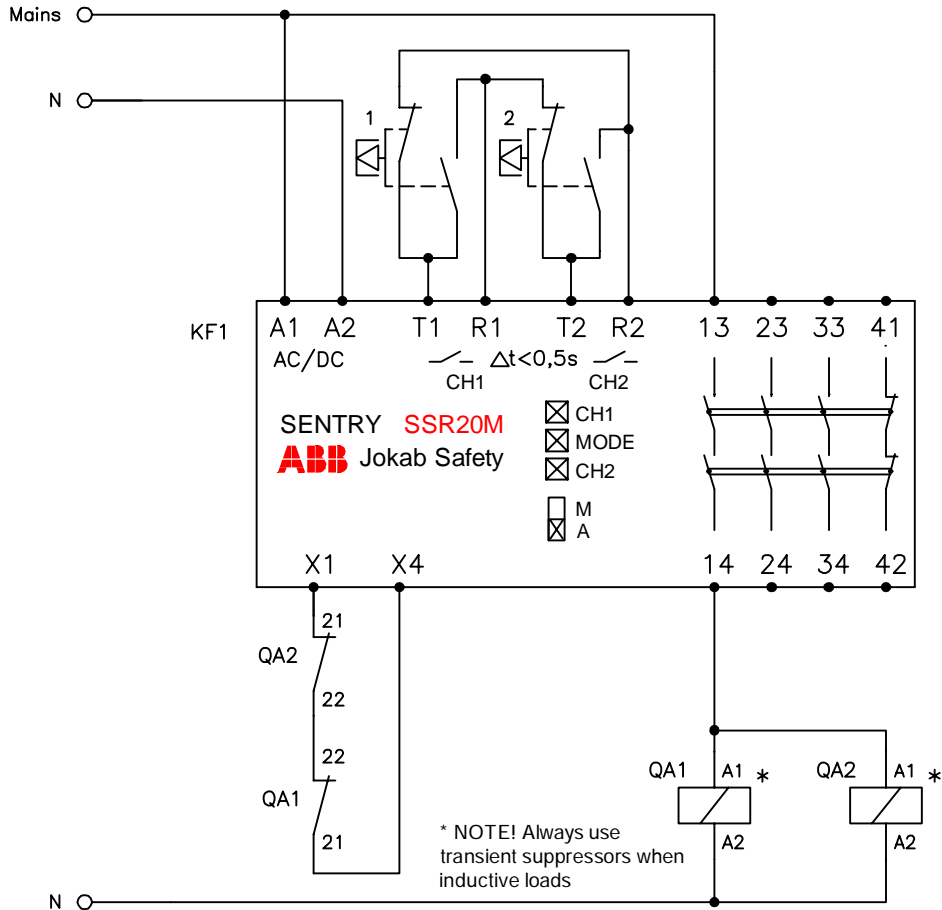
7

8

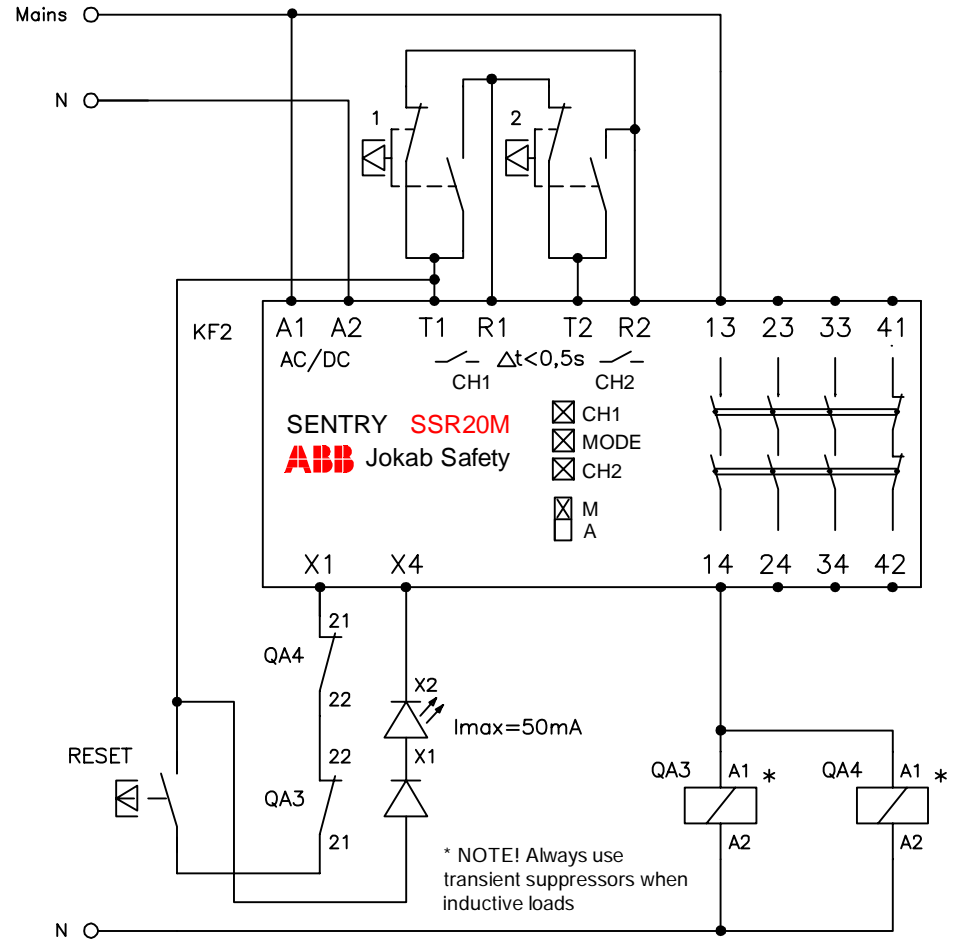
9

10

### A) Two-hand device with Auto reset



### B) Two-hand device with Manual reset



Anmärkning Remark

CONNECTION EXAMPLE SSR20M



Konstr Design	Godk Appr	Datum Date	Blad Sheet
ABB		20170308	
Ritad Drawn	Sidor Pages	Ritn nr Drawing no	Forts Cont
ABB		2TLC010010T0001	