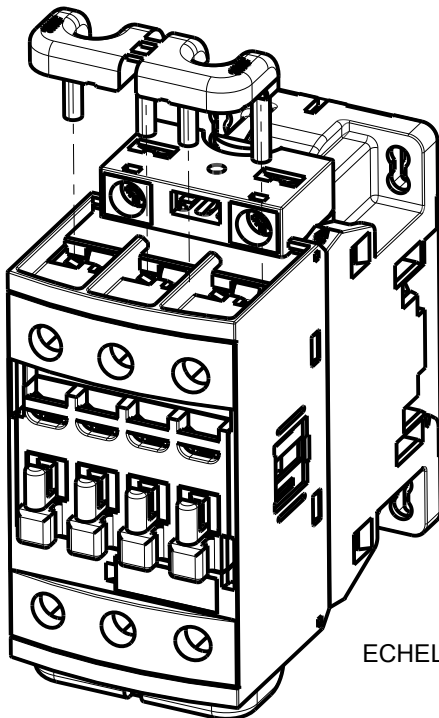
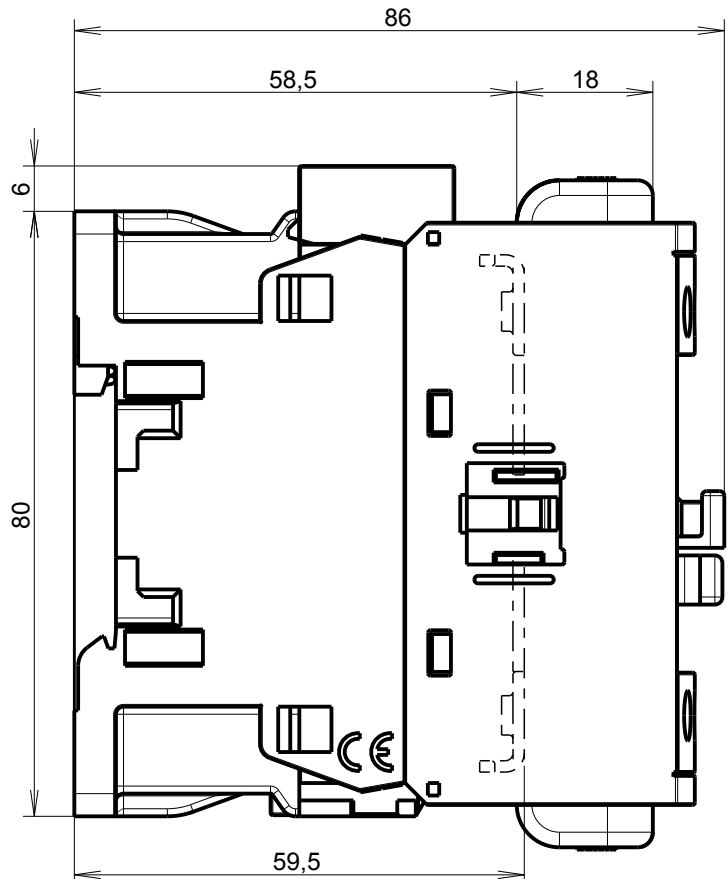
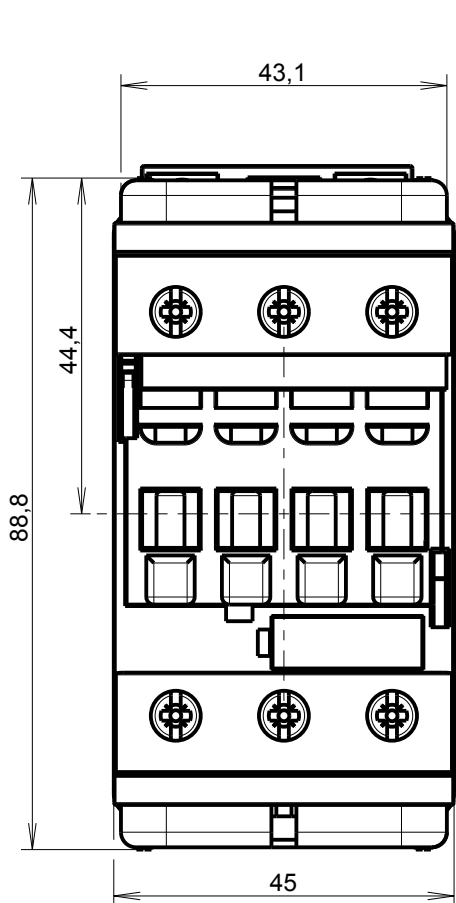


D

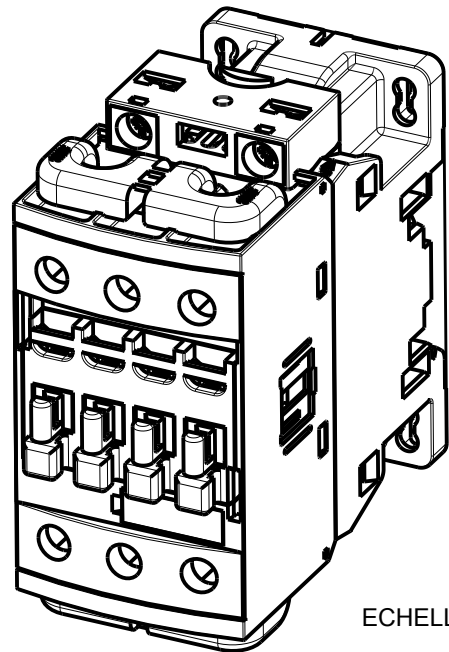
C

B

A



ECHELLE 3:4



ECHELLE 3:4

ENCOMBREMENT LY38-4 / DIMENSIONS		1SBB505095R1101	-	-	-	-
Part name		Part number	Material	Heat treatment	Surface treatment	Finishing
Associated standards :		-				
SQR Number: -		masse (g) : 0	density (g/cm3) : 1,000	Thickness (mm): 0,0		
Geometry without dimensions		Chamfer: -	Main draft: -	Angle Tol: -	Round edge: -	
A.2	Création	24/11/2011	ECN501001	Raphael Pacheco	Marc Langlois	
Modif	Description	DATE	N°ECN	Author	Control	
<b>ABB</b>	State : Conception		Observations: -			
	Author Pacheco R	Creation 24/11/2011	Control Eliane Godie	First ECN -	Scale 1:1	Main Tol. -
Title : LY38-4			Running number		Doc Size Type N°Page	Rev.lte
ENCOMBREMENT LY38-4 / DIMENSIONS			1SBB505095D4501			A.2

D

C

B

A