



Per Lowgren, Product Manager, Medium robots

IRB 2600ID-15/1.85

Simple integration, high performance

Overview of main features



- General purpose robot for integrated dressing solutions.
- Agile, compact and high performing
- Tailored for for material handling and machine tending.
- Longest reach in its class.
- Outstanding wall mounting capabilities.
- Optimized bending radius of hose package for long life expectancy and easy access inside machines.
- Optional flexible conduit

General purpose robot to suit many applications



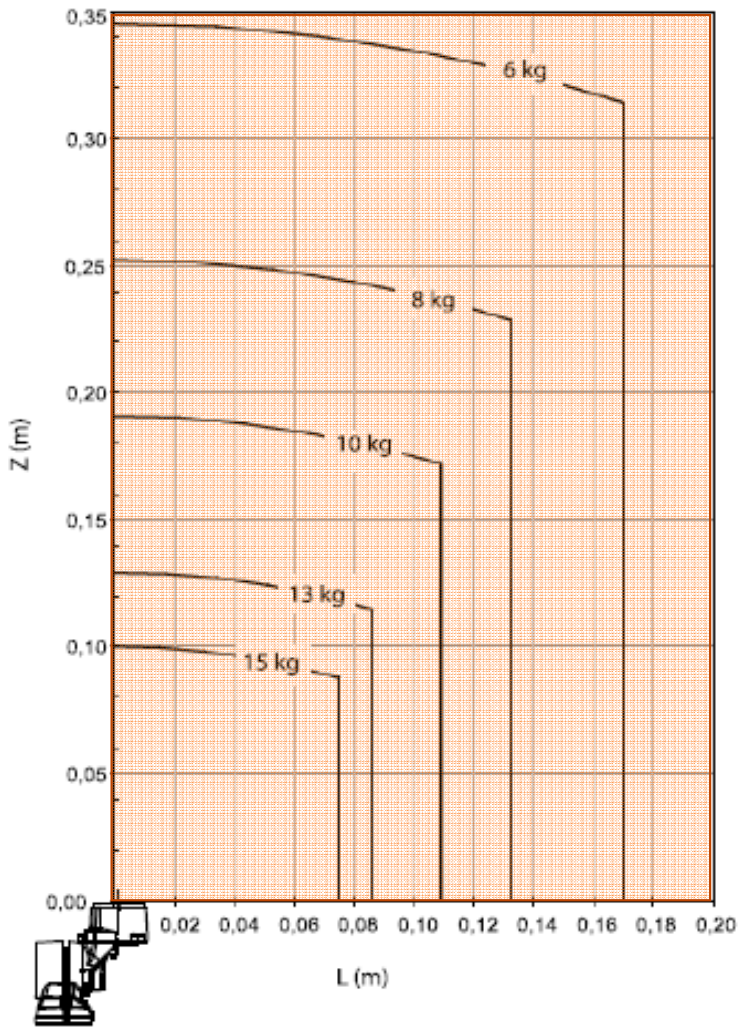
- Machine tending
- Material handling
- Assembly
- Inspection
- Arc welding
- Laser welding
- Dispensing

Key data

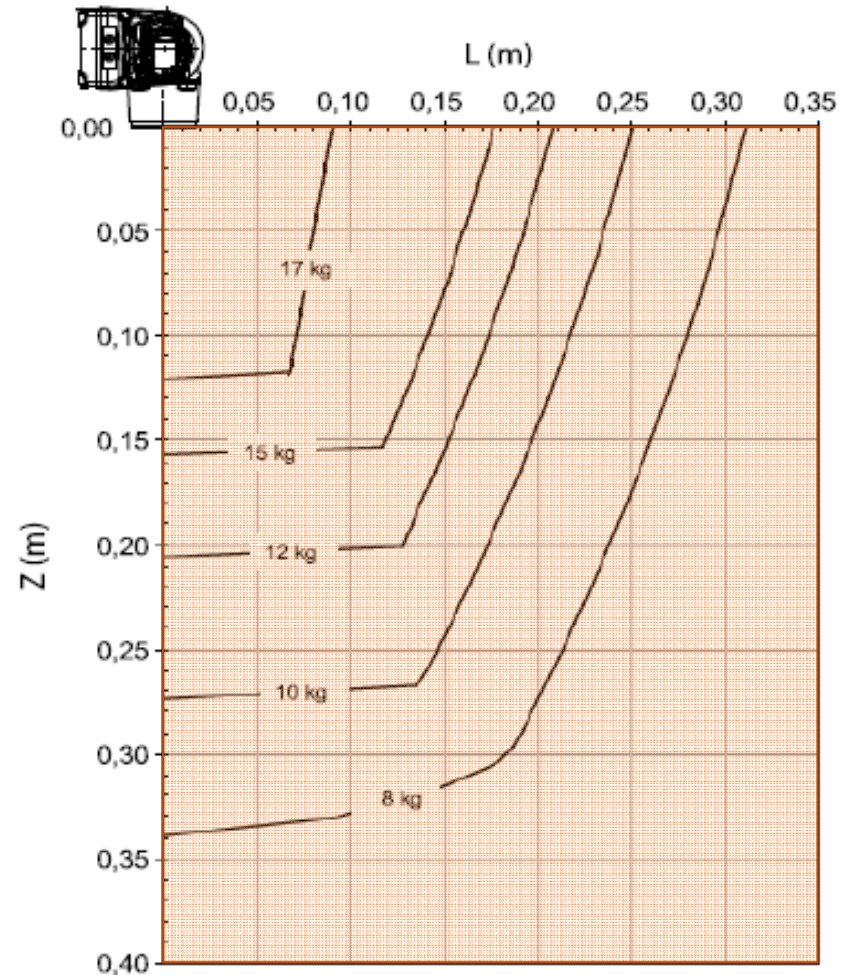
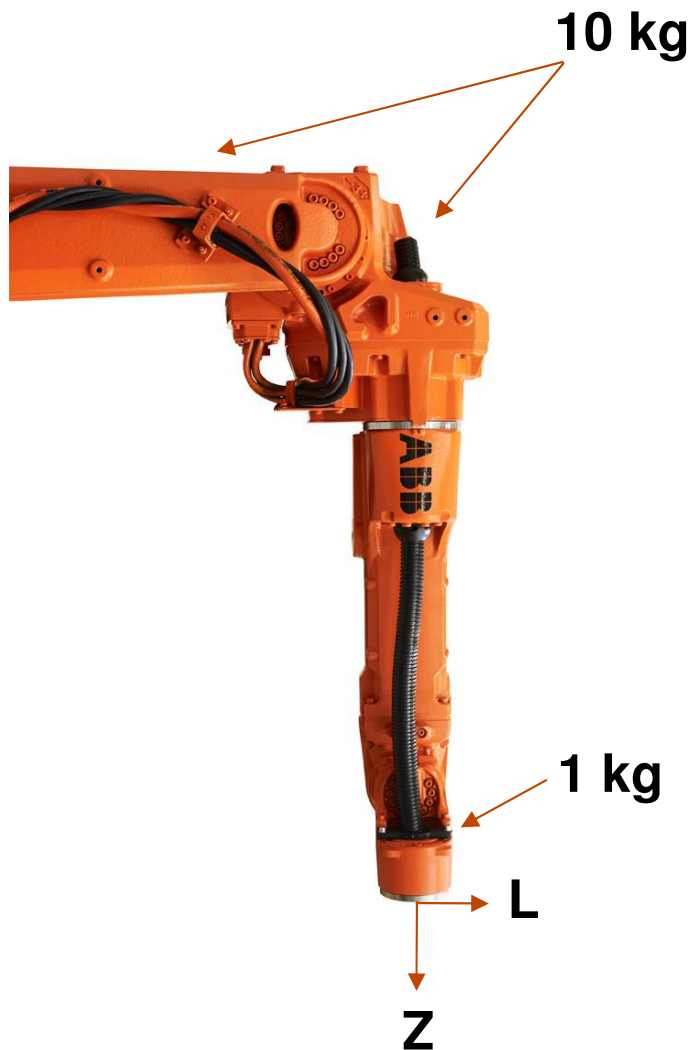


- Payload: 15 kg
- Reach: 1850 mm (to center of axis 5)
- Height: 1600 mm
- Foot print: 676 mm x 511 mm
- Weight: 273 kg

Load diagram with additional armloads (1 + 10 kg) Up to 15 kg

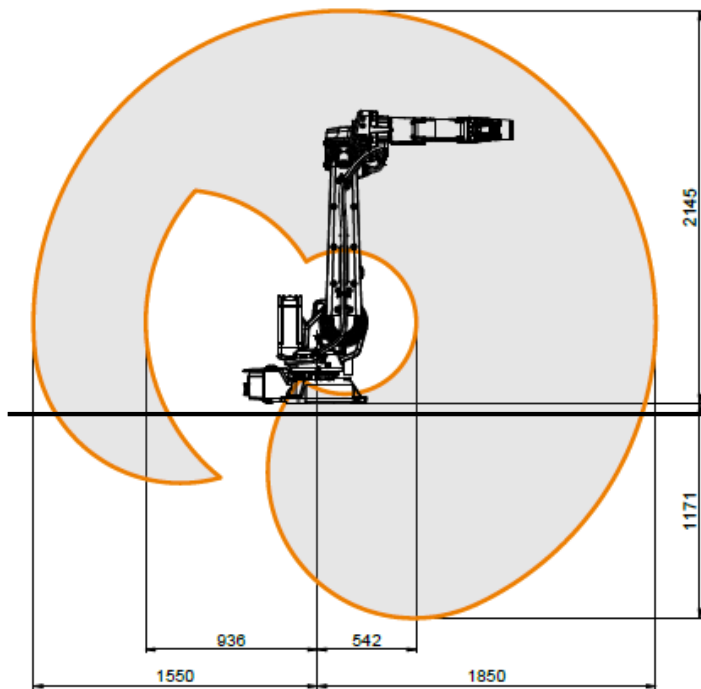


Load diagram with additional armloads (1 + 10 kg) Up to 17 kg with wrist vertical



Load diagram permits +/- 10 degrees on axis 5.
Check RobotLoad for your specific load case.

Working range at center of 5th axis



- Reach forward: 1850 mm
- Reach below the base: 1171 mm
- Reach above the base: 2145 mm
- Horizontal stroke: 3400 mm

IRB 2600ID-15/1.85

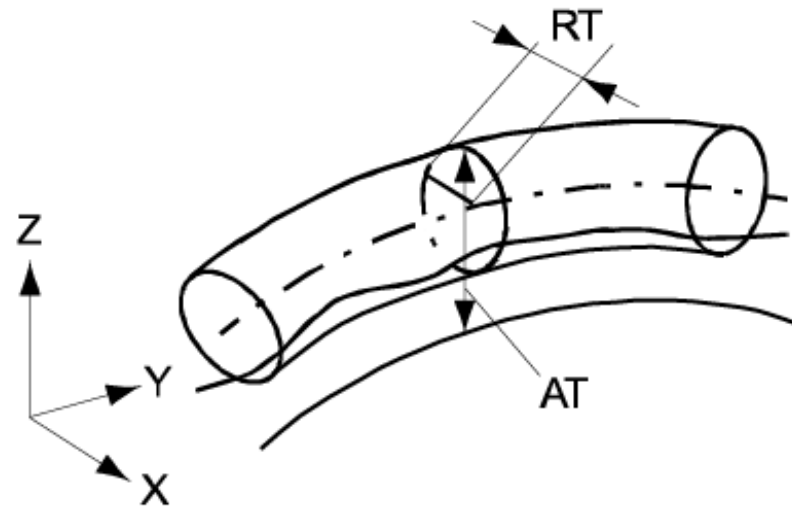
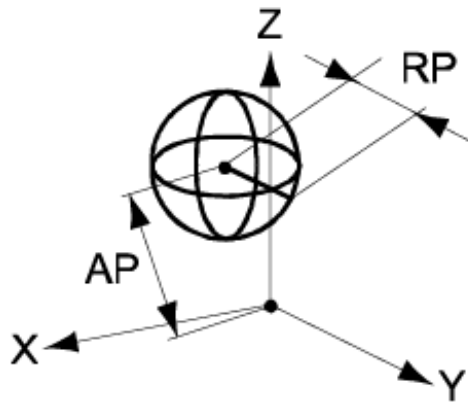
Working range and max speed per axis



- **Axis 1**
- **Axis 2**
- **Axis 3**
- **Axis 4**
- **Axis 5**
- **Axis 6**

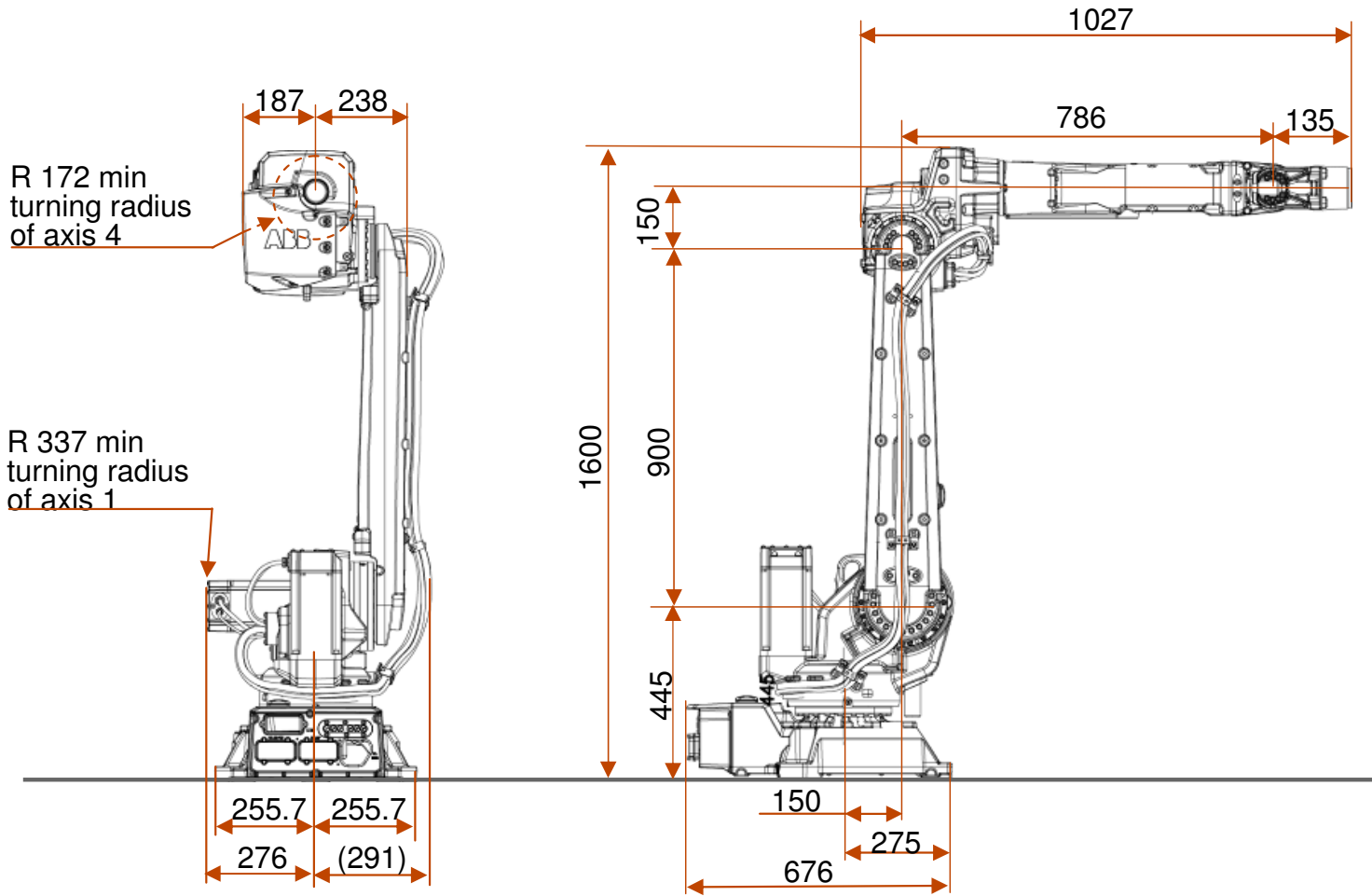
Range	Max speed
+180° to -180 °	175 %/s
+155° to -95 °	175 %/s
+75° to -180 °	175 %/s
+175° to -175 °	360 %/s
+120° to -120 °	360 %/s
+400° to -400 ° <i>± 191 rev. max</i>	500 %/s

Performance & accuracy



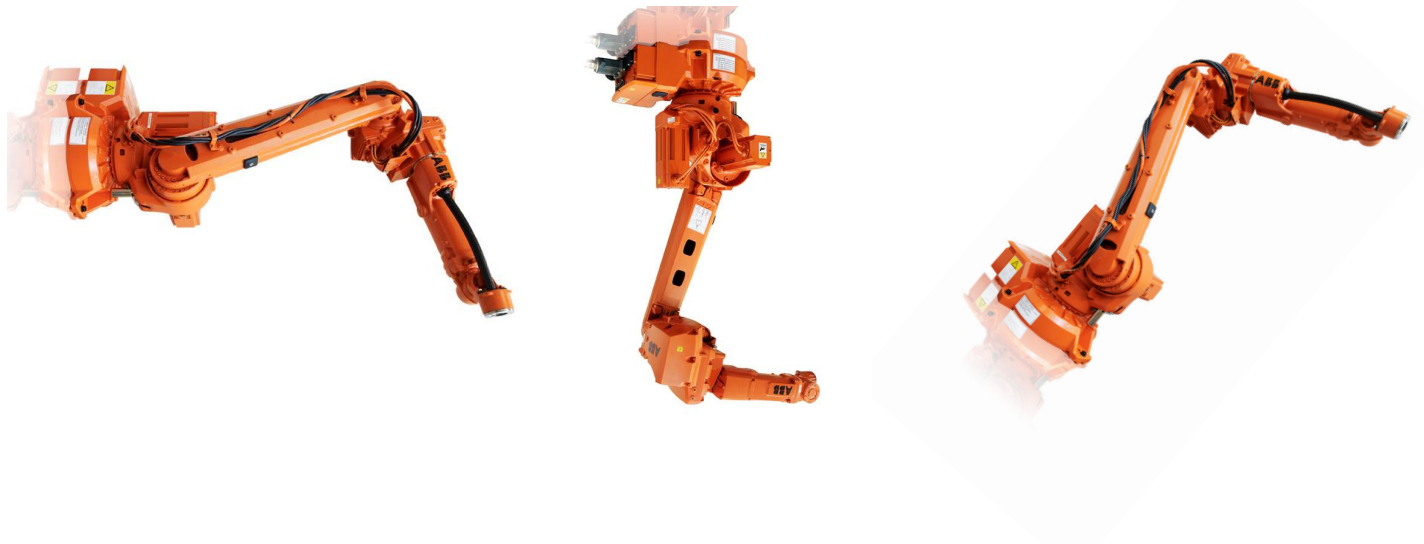
- Pose repeatability, RP: **0.03 mm**
- Pose accuracy, AP: **0.01 mm**
- Linear path repeatability, RT: **0.30 mm**
- Linear path accuracy, AT: **0.80 mm**
- Pose stabilization time, PSt: **0.05 s**
(to within 0.2 mm of the position)

Main Dimensions



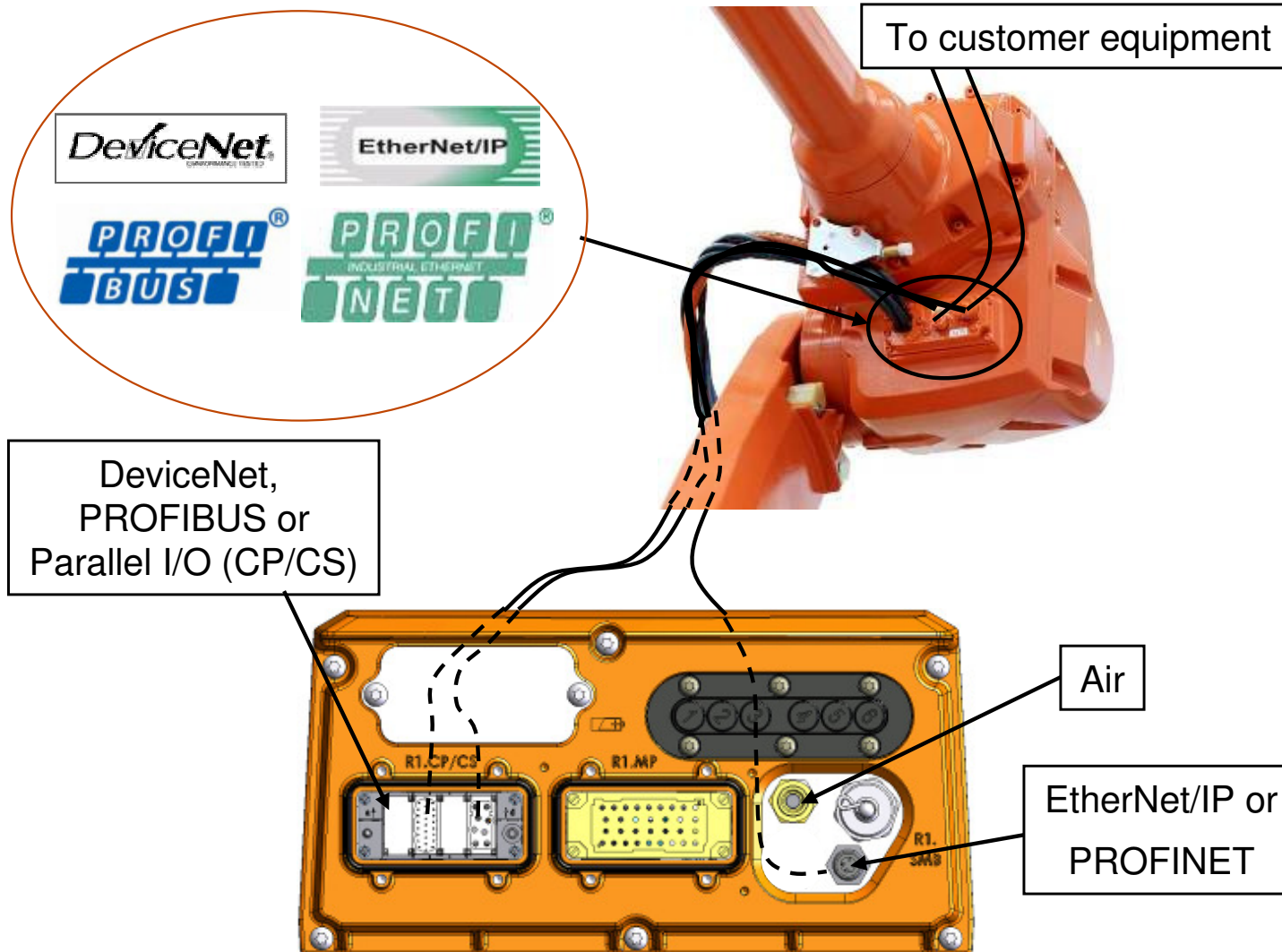
Flexible mounting

Floor, wall, ceiling & tilted (round the Y-axis)



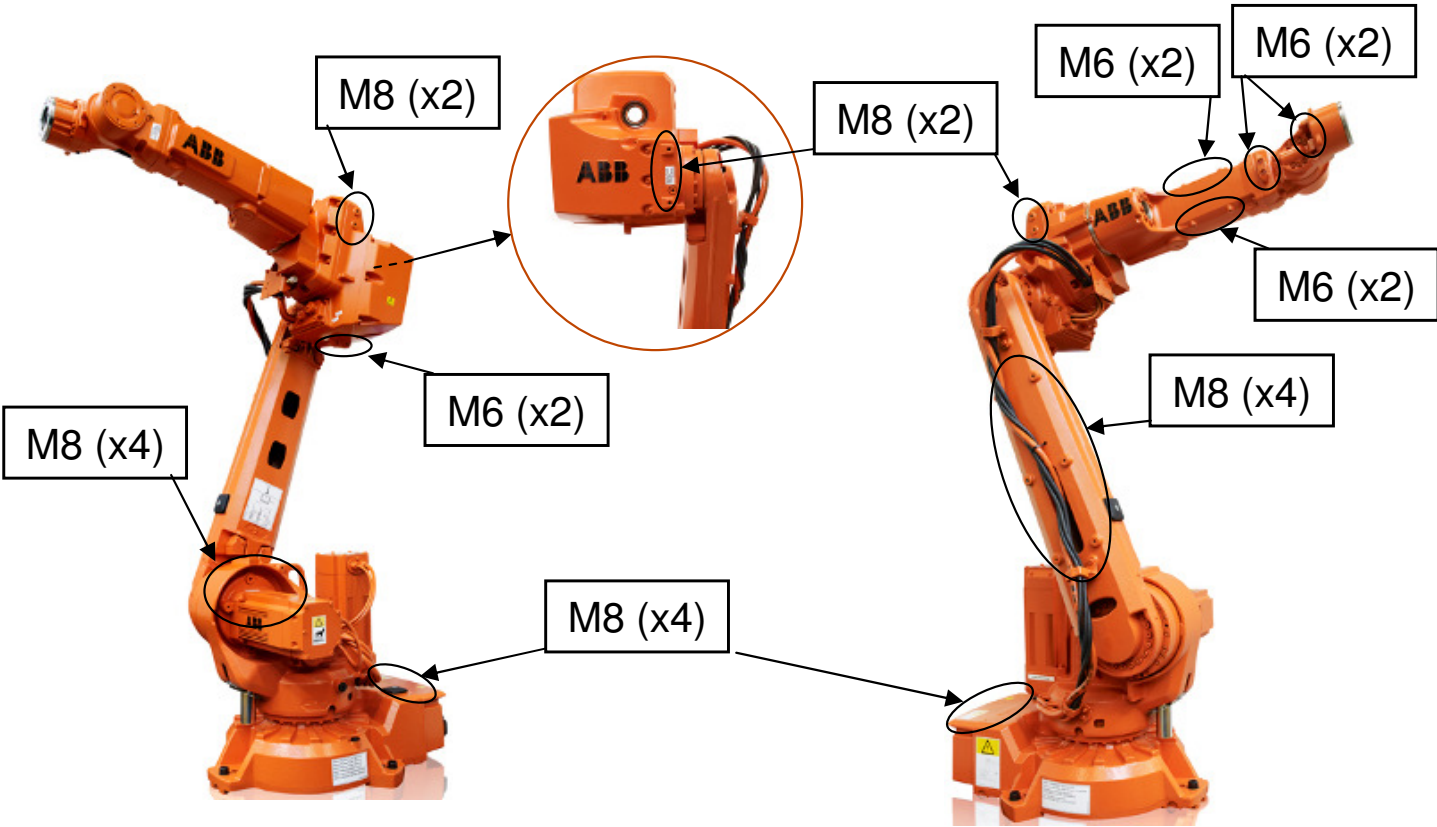
- Wall mounting, max working range for axis 1 is ± 40 degrees with max payload and armload. More with reduced loads.
- Max tilting angle for full axis 1 working range is 40 degrees with max payload and armload. More with reduced loads.
- Check with RobotLoad for your specific load case.

Easy to integrate Customer interfaces



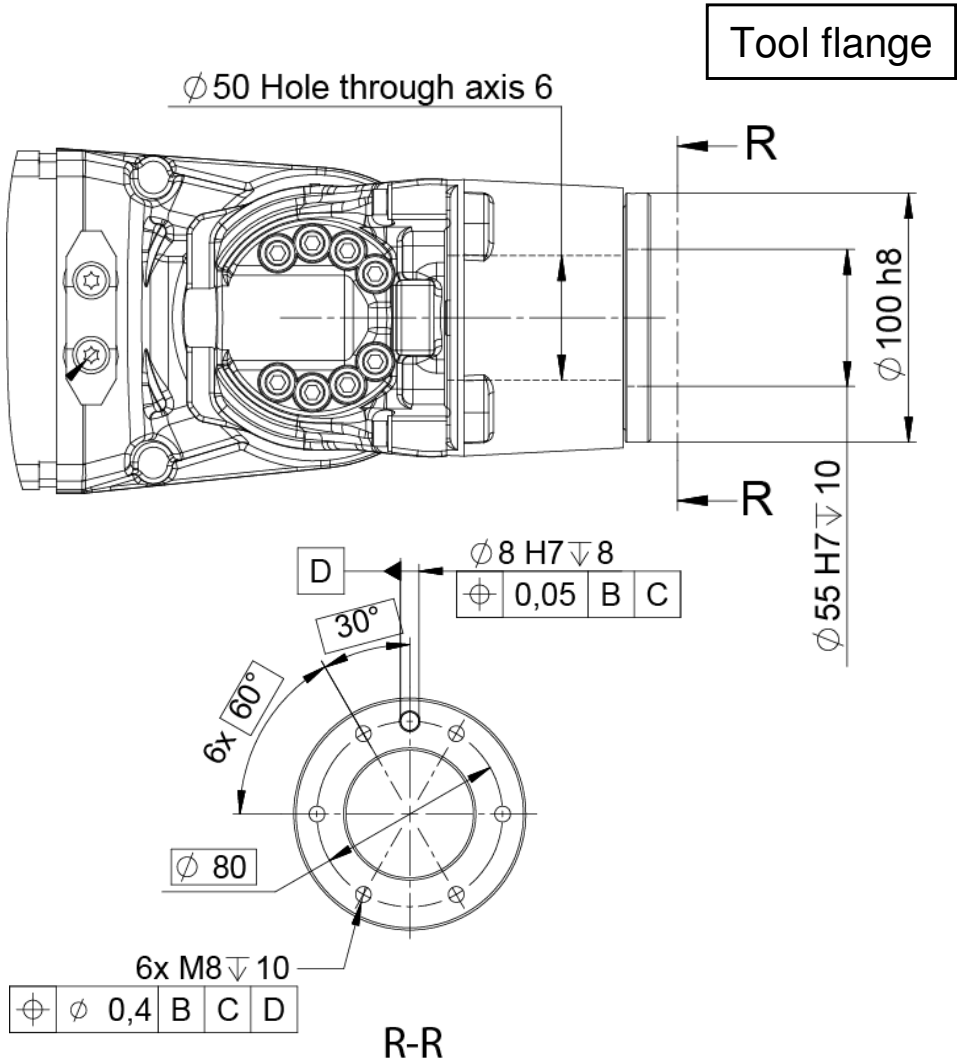
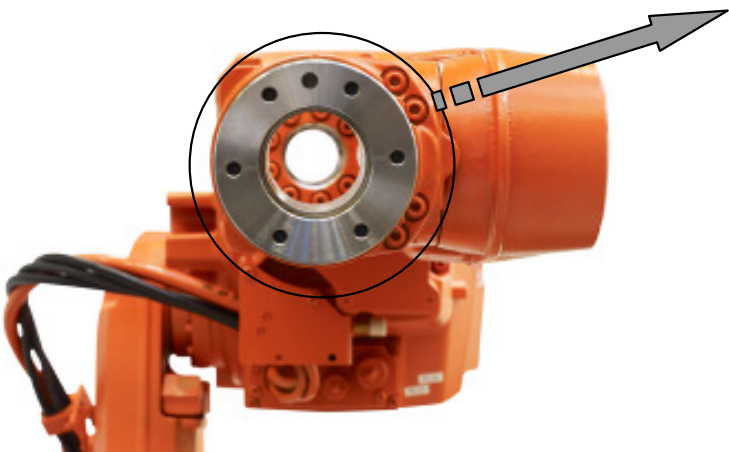
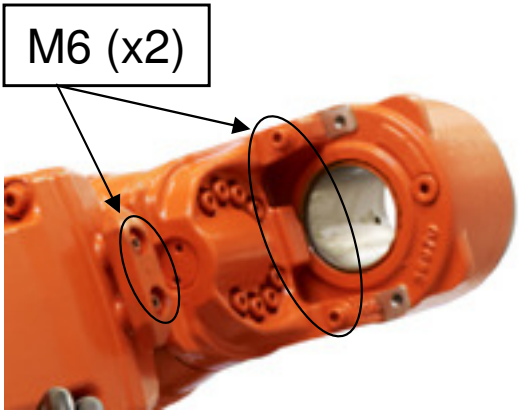
Easy to integrate

Mechanical mounting interfaces



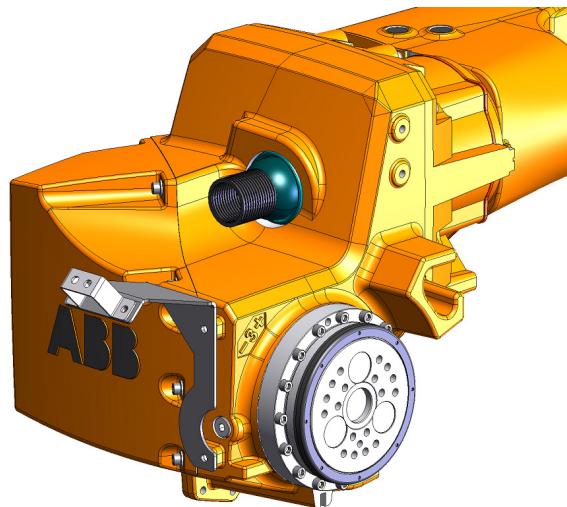
Easy to integrate

Mechanical mounting interfaces



Easy to integrate

Flexible conduit (option)



Features

- 36 mm diameter empty conduit for user hoses and signal cables.
- Large capacity - less than 30% utilized with 4 air hoses and 4 signal cables.
- Can handle the full working range of axis 4-6.
- The rotation of the conduit follows the rotation of the hoses and cables inside. Can be fixed in the rear (see lower image), free rotation at the wrist end.
- Mounted on delivery or available as spare part.

Benefits

- Much simplified engineering of the cable solution from the rear of the upper arm to the wrist.
- RobotStudio offline programming possible with few or no touch-ups required
- Prolonged life expectancy of hoses and cables when routed inside the flexible conduit.
- Lower cost of ownership.
- Fewer production stops due to cabling issues.

Summary

- Up to **90% shorter programming time** thanks to a combination of controlled upper arm cabling movements and RobotStudio offline programming with few or no touch-ups.
- Up to **15% shorter cycle times** vs. the competition thanks to the reduced cabling movements, QuickMove and high accelerations.
- **Drastically reduced costs for upper arm cabling investments** thanks to the flexible conduit, housing the cables and hoses for the end-of-arm tooling.
- Up to **75% reduced costs for maintenance of cabling** incl. material and production stops savings.
- The first ID robot in its class - with outstanding performance in process applications which **reduces waste**.
- **Suitable for dispensing and laser equipment** thanks to a hollow wrist diameter of 50 mm to accommodate process equipment.

Power and productivity
for a better world™

