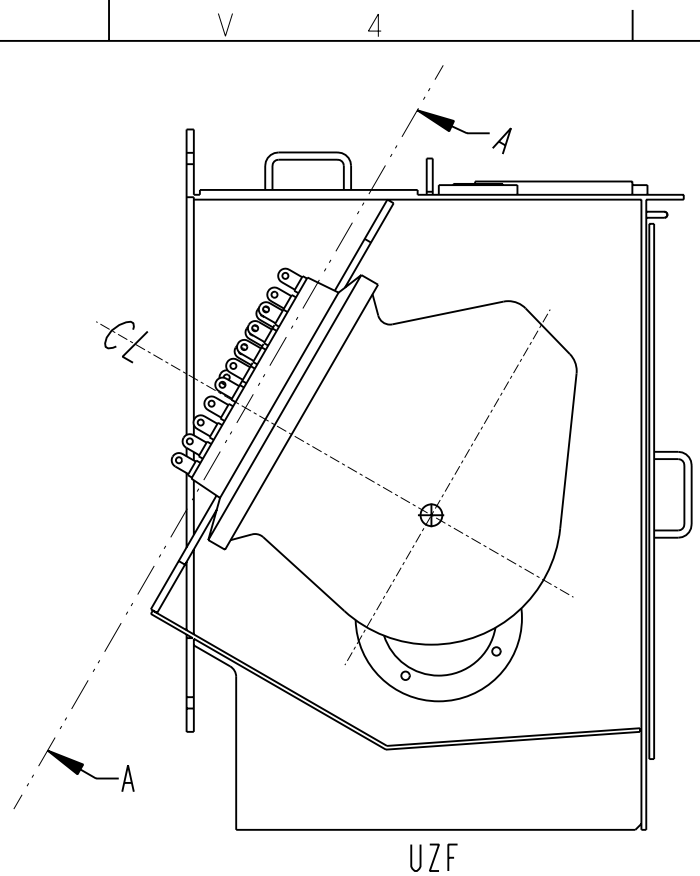
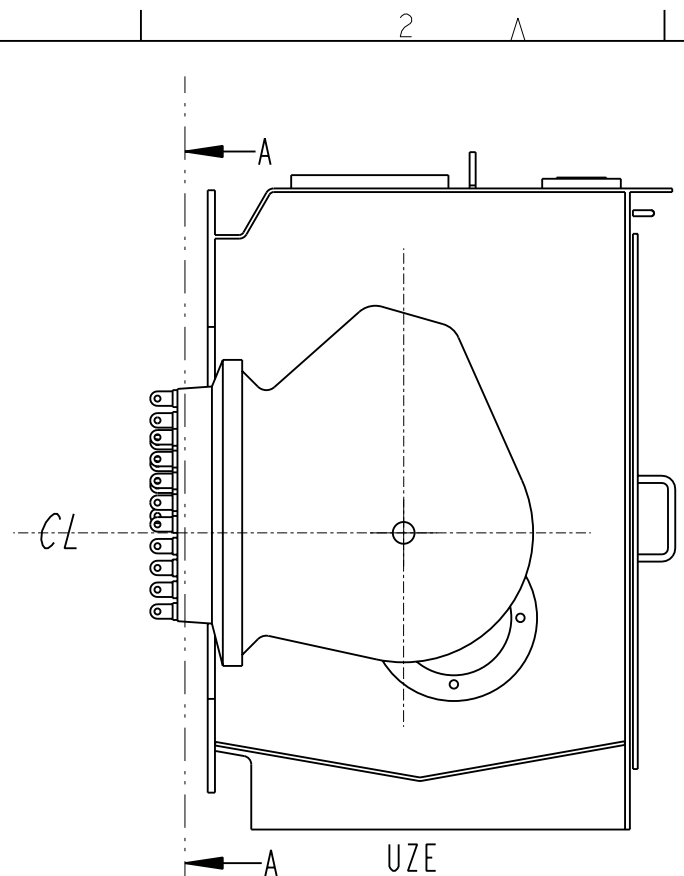
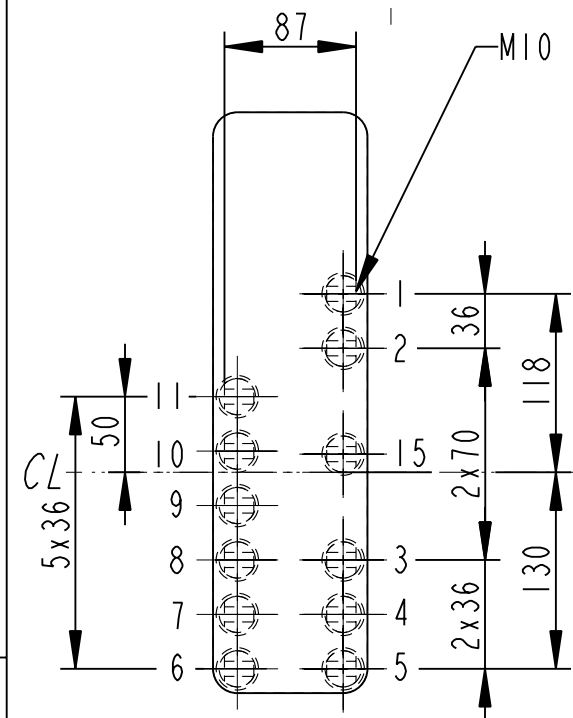


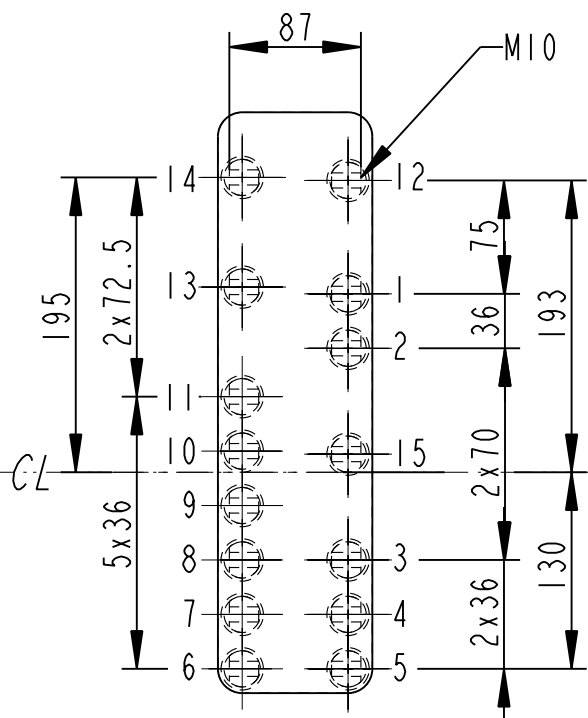
We reserve all rights in this document and in the information contained therein. Reproduction, use or disclosure to third parties without express authority is strictly forbidden. ©ABB



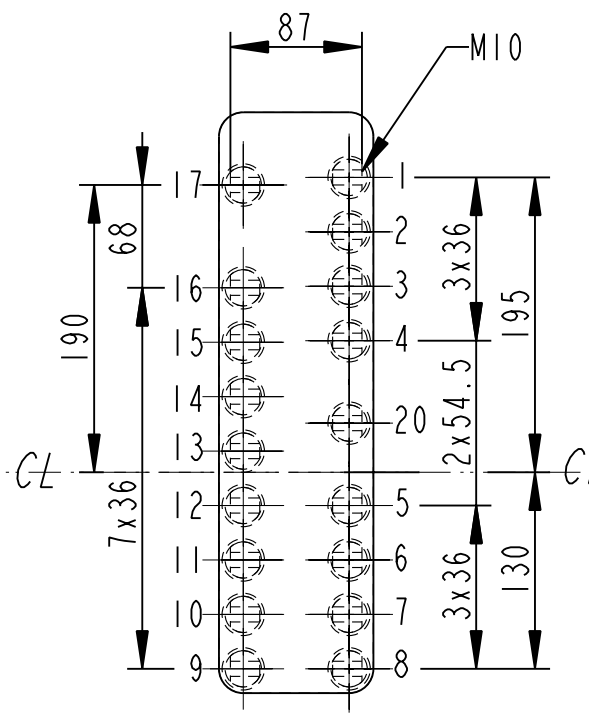
Type of switching	Number of positions	Fig.
Linear	≤ 11	1
	≥ 13	3
Plus/Minus	≤ 23	2
	≥ 25	5
Coarse/Fine	≤ 23	2
	≥ 25	4



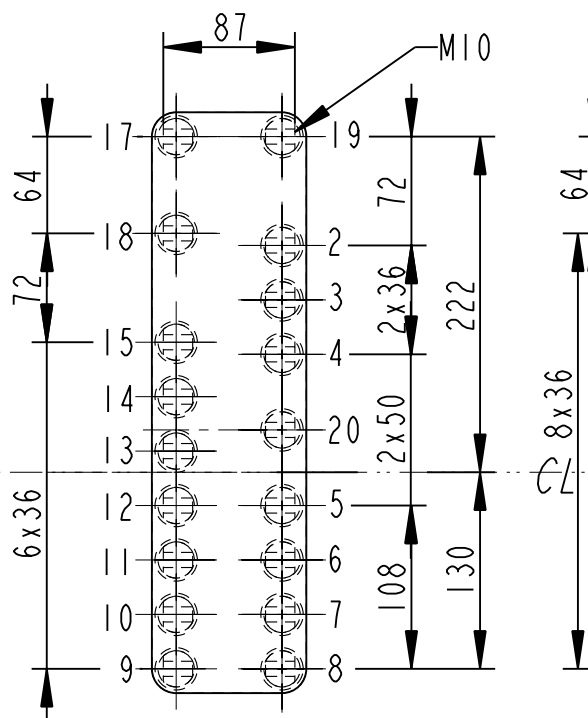
Section A-A
Fig. 1



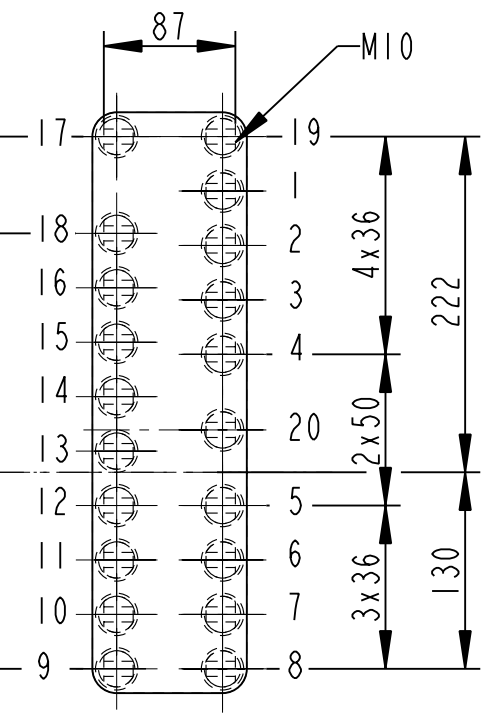
Section A-A
Fig. 2



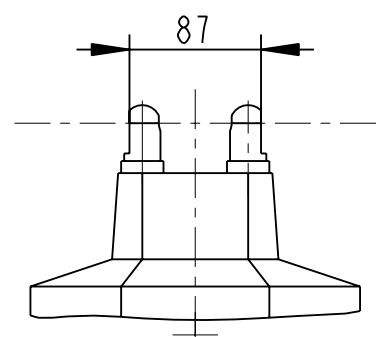
Section A-A
Fig. 3



Section A-A
Fig. 4



Section A-A
Fig. 5



Based on	Reg. No.	Title TERMINAL BOARD UZE AND UZF	Language en
Prepared ME	79 12 Responsible department COM/TO		
Approved Eriksson	Take over department		
Revision Rev. 4 02-03-25	Database DIMENSION_DWGS		
ABB Components		Document No.	5492 853E-42
		Page	1(1)