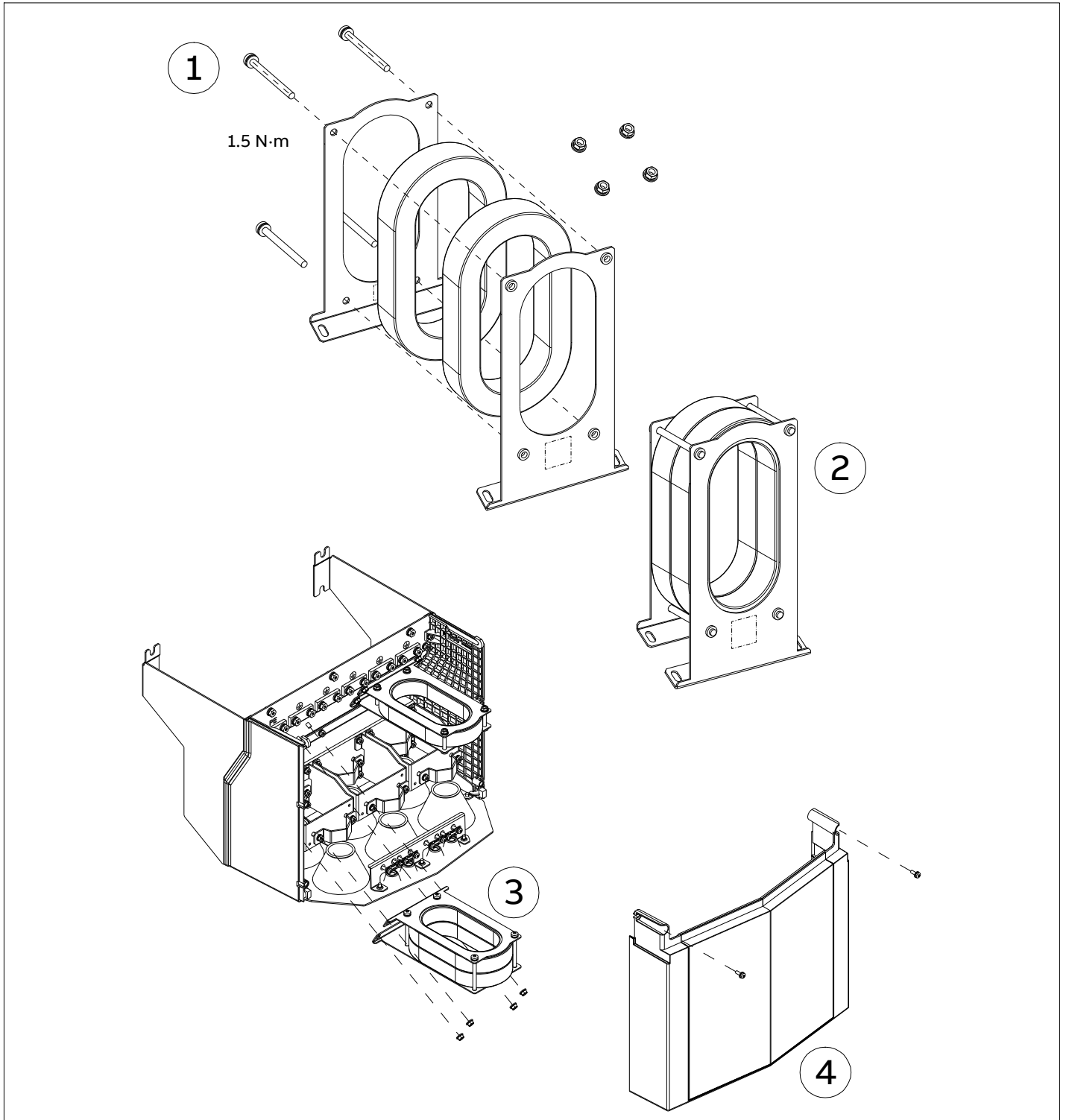



# Input side common mode filter kit for ACS880-01-490A-3, -477A-5 and -453A-4 (option +E202) and for ACS580-01, ACH580-01 and ACQ580-01 -490A-4 and -477A-4

## Installation instructions



Make sure that the grounding conductor is longer than the phase conductors.

L1, L2, L3		
T (Wire screw)		T
M...	N-m	N-m
M12	70	9.8

