

14

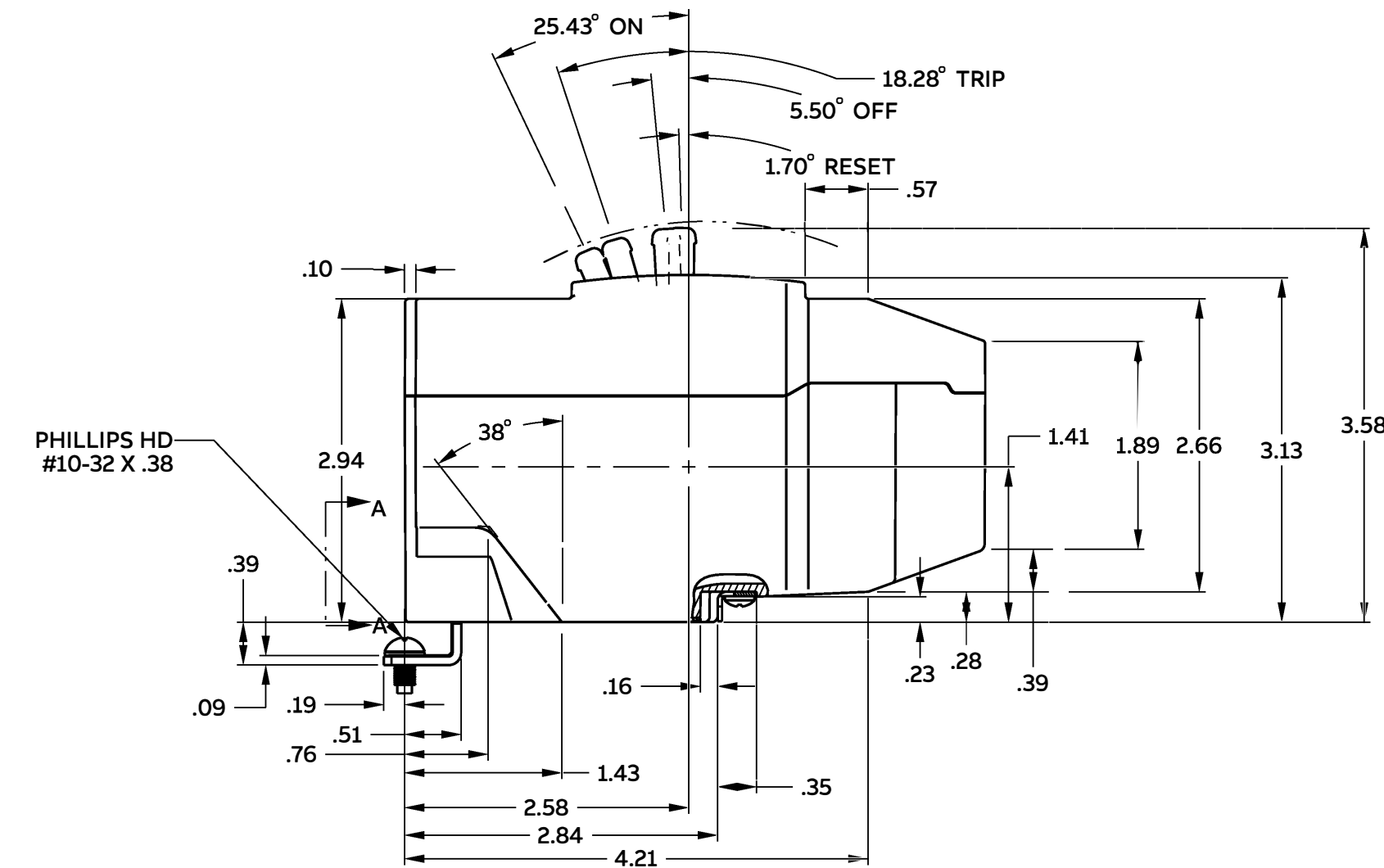
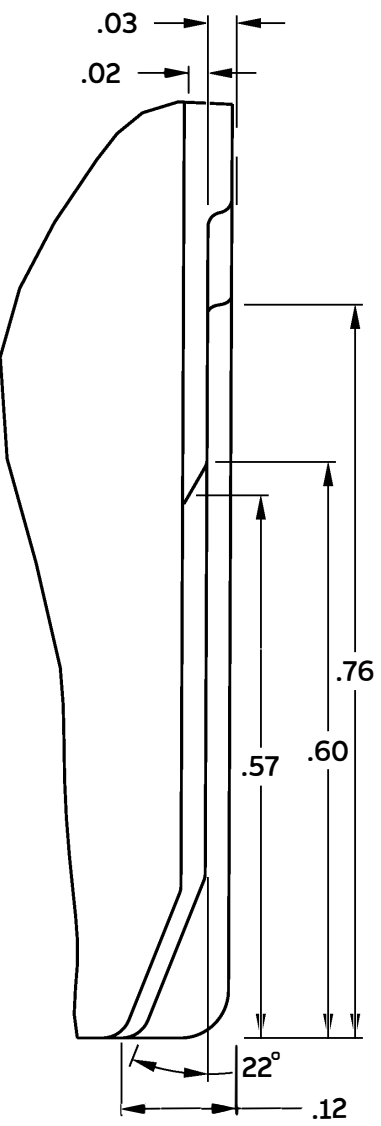
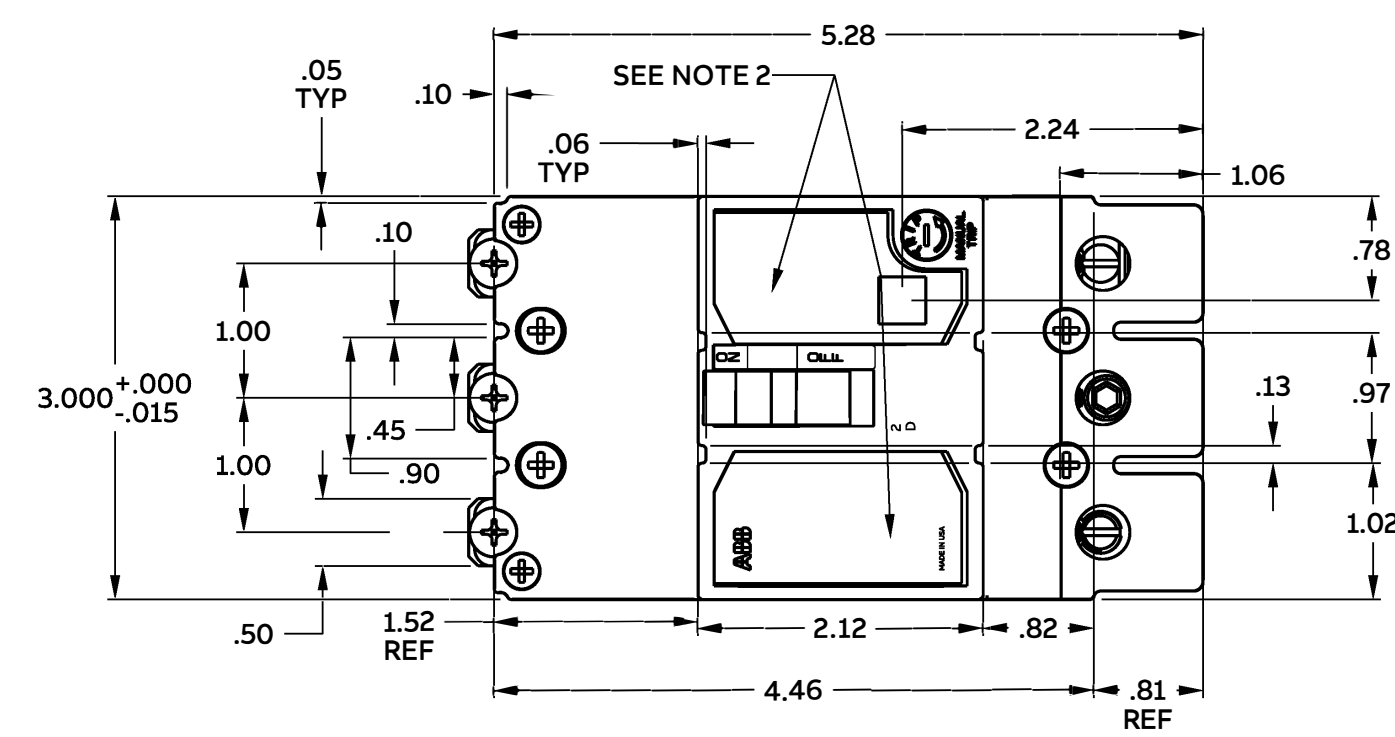
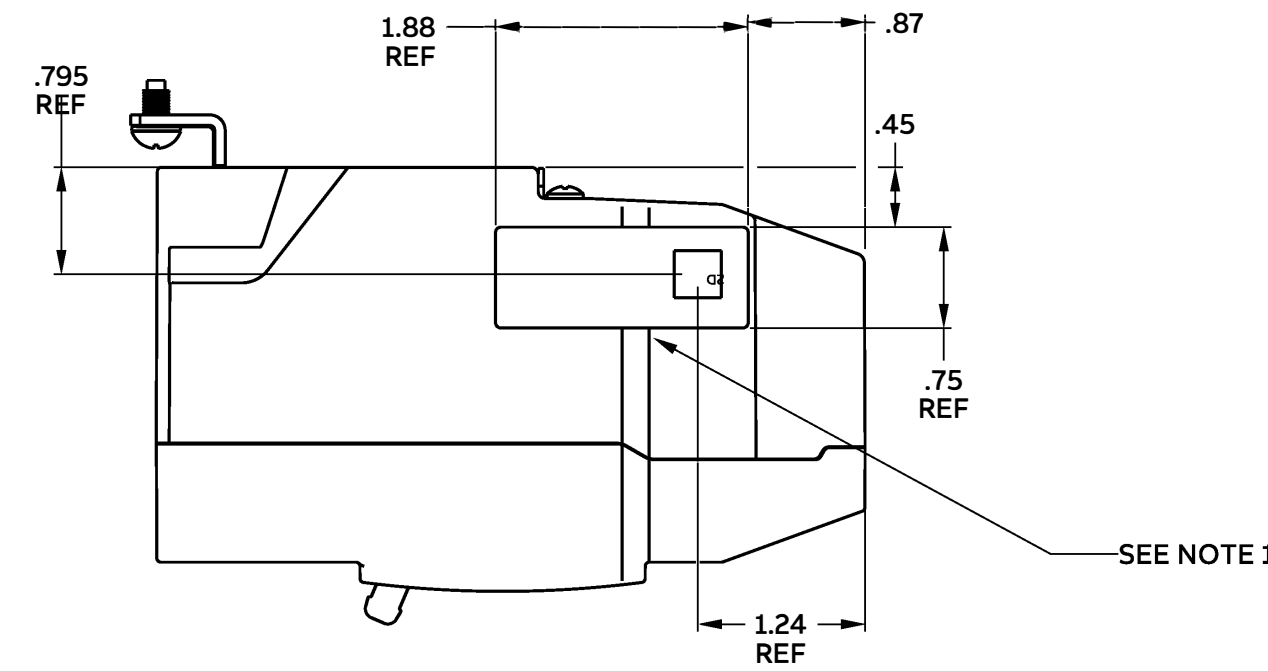
13

12

11

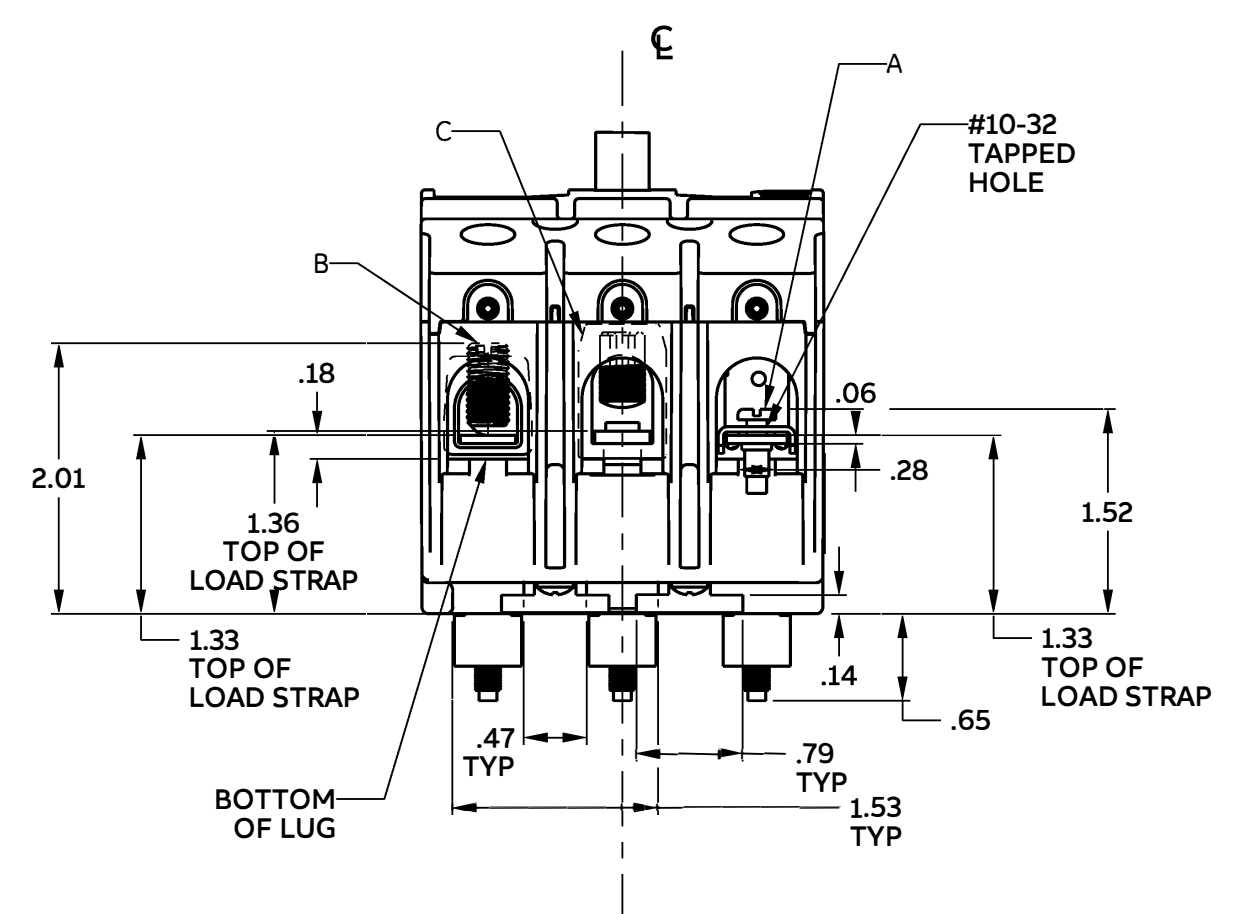
NOMINAL HANDLE OPERATING FORCES (LBS)	
ON TO OFF	6.5
TRIP TO RESET	7.5
OFF TO ON	2.2

WIRE CONNECTOR	USED ON	WIRE RANGE		LOAD END LUG TORQUE TO WIRE	LINE END MOUNTING SCREW TORQUE
		CU	AL		
A (SADDLE CLAMP)	15A - 20A	#12 - #14	#10 - #12	#10, 12, 14 - 35LB - IN	25 - 32LB - IN
B (LUG)	30A - 60A	#10 - #6	#8 - #4	#10 - 35LB - IN #8 - 40LB - IN #6, #4 - 45LB - IN	
	70A - 100A	#4 - #1	#2 - 1/0	#4 - 1/0 - 45LB - IN	
C (LUG)	110 - 125A	#3 - 3/0	#1 - 3/0	100 LB - IN	



NOTE :

- 1. FOR LABEL DETAILS REFER PART # 10107781P1
- 2. FOR LABEL DETAILS REFER PART # 10107221P1



**ABB**

**ABB**

**OUTLINE DRAWING**  
**TEYD/H/L - 3 POLE**

THIRD ANGLE	SHEET#	DWG NO.	DATE	REV
	1 of 1	10106029SH1	30-Mar-23	B

SH1

14

13

12

11