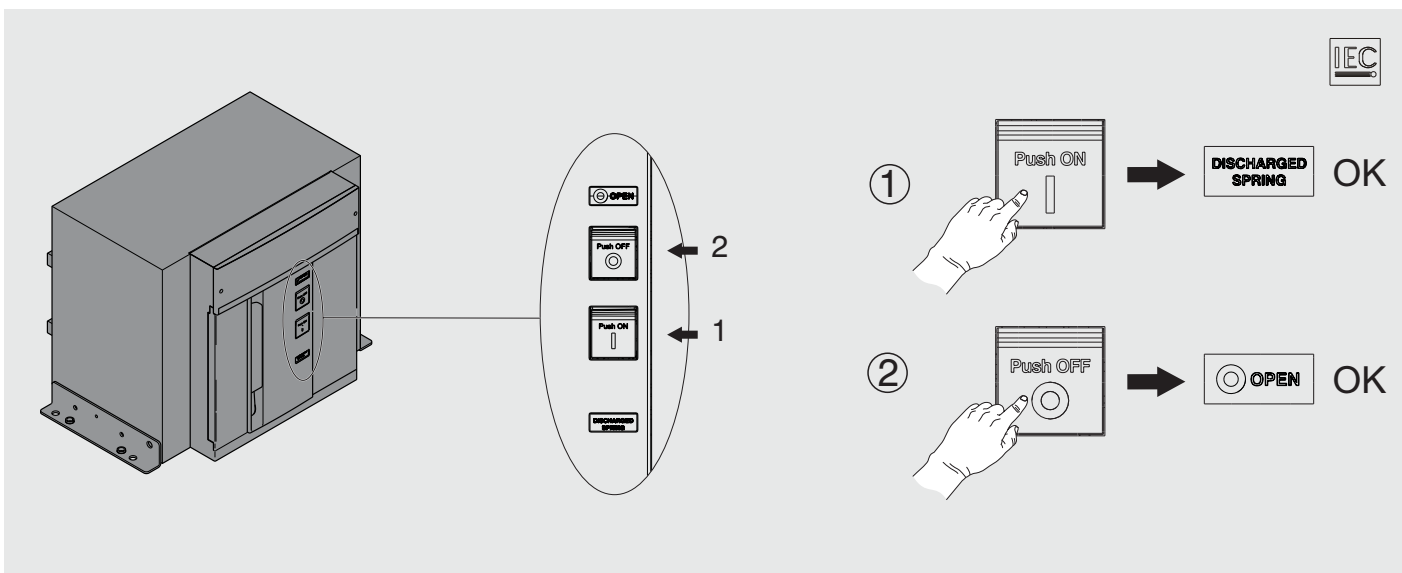
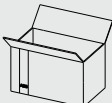
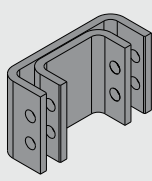
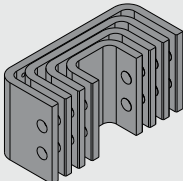






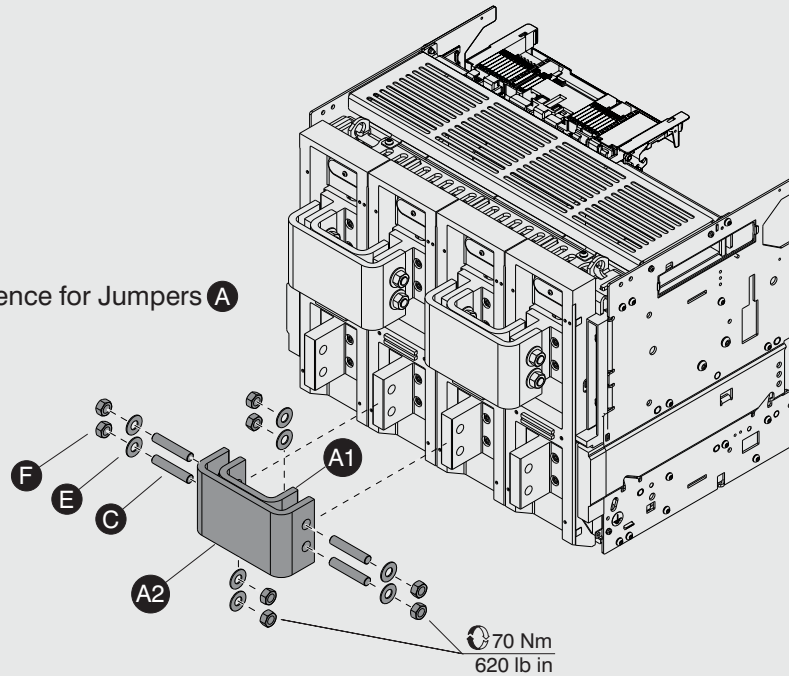
# SACE Emax 2

Montaggio Jumper E4.2 MS/DC-E IEC  
 Jumper assembly E4.2 MS/DC-E IEC  
 Versammlung Jumper E4.2 MS/DC-E IEC  
 Montage Jumper E4.2 MS/DC-E IEC  
 Montaje Jumper E4.2 MS/DC-E IEC

	A	B	C	D	E	F
						
Up to 2500A	1	-	4	-	8	8
Up to 4000A	-	1	-	4	8	8

- Mounting sequence for Jumpers **A**
- First **A1**
- Second **A2**



- Mounting sequence for Jumpers **B**
- First **B2**
- Second **B3**
- Third **B1**
- Fourth **B4**

