



# Nightstar Miniature

## Part Night Photocell

### Key Features

- Very low power consumption
- Filtered silicon photodiode
- Accurate switching
- 'Zero crossover voltage' switching
- Durable polycarbonate casing
- Suitable for use with LED, halogen or discharge lighting

### Applications

- Energy saving replacement for conventional miniature photocells
- Roadway lighting
- Local Authority street lighting
- Footway and sign lighting
- Industrial, retail, commercial and car park lighting

**The Nightstar Miniature photocell is ideally suited as an energy saving replacement to existing conventional miniature photocells, or for new installations in architectural, vandal resistant or 'slimline' luminaires.**

Utilising the same proven technology as its NEMA based counterpart, the Nightstar Miniature photocell delivers highly accurate switching, with all components housed in a compact, standard sized miniature casing.

Incorporating Part Night functionality, the Nightstar Miniature photocell ensures reliable performance whilst minimising power consumption by including an inbuilt clock for midnight 'OFF' switching and BST/GMT seasonal changes.

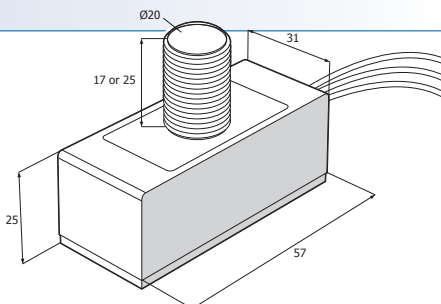


# Nightstar Miniature Part Night Photocell

## Technical Specification

Specification	Description
Sensor type	Filtered Silicon Photodiode
Sensor control	Microprocessor
Standard switching level	70 lux 'On', 35 lux 'Off'. Alternative settings can be factory pre-programmed on request
Switching differential	1:0.5
Operating voltage range	220-270 Vac, 50 Hz
Maximum lamp load	2 x 400 W inductive (96 µF)
Power consumption	0.25 W
Operating temperature range	-20 °C to +60 °C
Ingress protection	IP65 (lens), IP54 (casing)
Standard programme	Dusk 'On' / 2400 Hrs 'Off' 0530 Hrs 'On' / Dawn 'Off'
Custom programme	Switching points factory pre-programmable to meet customer requirements
Approvals	RoHS compliant. CE marked and compliant with EMC emission and immunity standards
Dimensions L x W x D	57 x 31 x 25 mm Lens diameter 20 mm Lens projection 25 mm

For product order codes or to discuss project requirements, please contact Thomas & Betts or your local representative.



## Product selection

Product	Nightstar Miniature
Description	Part Night miniature photocell

Individual product order codes subject to final product specification. Codes can be supplied on request from Thomas & Betts. To discuss project requirements, please contact your local representative or Thomas & Betts on (0)113 281 0600.

Warranty of all Royce Thompson products is subject to the standard Thomas & Betts terms & conditions of sale.

### Abbreviations:

NEMA - National Electrical Manufacturers Association



FM09470

### Thomas & Betts Ltd

Royce Thompson  
Bruntcliffe Lane  
Leeds  
West Yorkshire LS27 9LL

Tel: +44 (0)113 281 0600  
Fax: +44 (0)113 281 0611  
roycethompson@tnb.com  
www.roycethompson.com



Royce Thompson is the leading photo-electronic lighting controls brand from Thomas & Betts, supporting the street and amenity lighting industry since 1963.

Continuous focus on the provision of high quality, innovative products to the market ensures Royce Thompson photocells offer the best in low energy consumption, reliability and long life - helping you, the customer, achieve optimum performance whilst keeping your carbon footprint to a minimum.